

drive
MEDICAL DESIGN & MANUFACTURING

www.drivemedical.com

lifetime limited warranty

Your Drive brand product is warranted to be free of defects in materials and workmanship for the lifetime of the original consumer purchaser.

This device was built to exacting standards and carefully inspected prior to shipment. This Lifetime Limited Warranty is an expression of our confidence in the materials and workmanship of our products and our assurance to the consumer of years of dependable service.

In the event of a defect covered by this warranty, we will, at our option, repair or replace the device.

This warranty does not cover device failure due to owner misuse or negligence, or normal wear and tear. The warranty does not extend to non-durable components, such as rubber accessories, casters, and grips, which are subject to normal wear and need periodic replacement.

If you have a question about your Drive device or this warranty, please contact an authorized Drive dealer.

drive
MEDICAL DESIGN & MANUFACTURING

© 2006 Medical Depot, Inc. All rights reserved.
Drive is a trademark of Medical Depot, Inc.
Port Washington N.Y. 11050 USA Made in China

bed side helper

item # 15065

drive
MEDICAL DESIGN & MANUFACTURING

www.drivemedical.com

assembly instructions

When properly attached to a metal bed frame, per the instructions below, this product is intended to assist a person in sitting up from a prone position in bed. It is also intended to help a person stand up or sit down while getting into and out of bed.

1. Remove Bed Side Helper (1) from the shipping container and cut the plastic strap retaining the hardware bag. Thread the leveling glides (3) into the bottom holes. If the unit will be used in a room with carpeting, snap the carpet grippers (4) onto the leveling glides.
2. Make sure the bottom clamp (2) is assembled with the tabs inserted into the slots of the Bed Side Helper, with the tabs facing up Fig. 1
3. Unthread the two clamping knobs (5) from the bottom, just far enough to keep them from falling out. Fig 2
4. Attach the assembled Bed Side Helper to the side of the metal bed frame, approximately 24 inches from the headboard. Select a location within a comfortable reach for the person who will be using Bed Side Helper. Slip the rolled-over lip on the vertical plate over the bed frame channel and tighten the clamping knobs (5) to press the bottom clamp (2) against the bottom of the frame. Make certain that the bottom clamp fits over the inner edge of the bed frame and the frame is securely locked in position. Fig. 3
5. Adjust the leveling glides down to contact the floor. Adjust all four glides evenly, using the 1/2" open-end wrench (provided) to turn the adjusting nut.

FIGURE 1

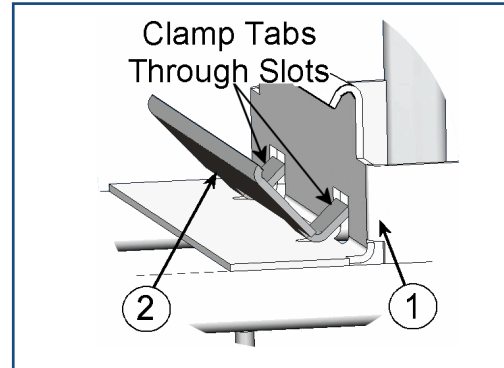


FIGURE 2

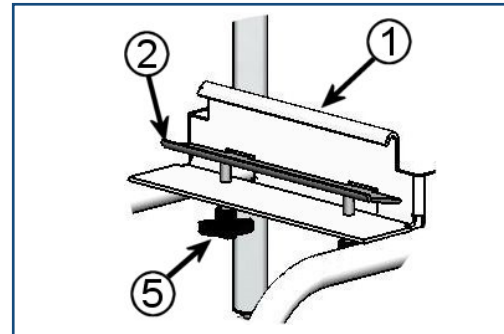
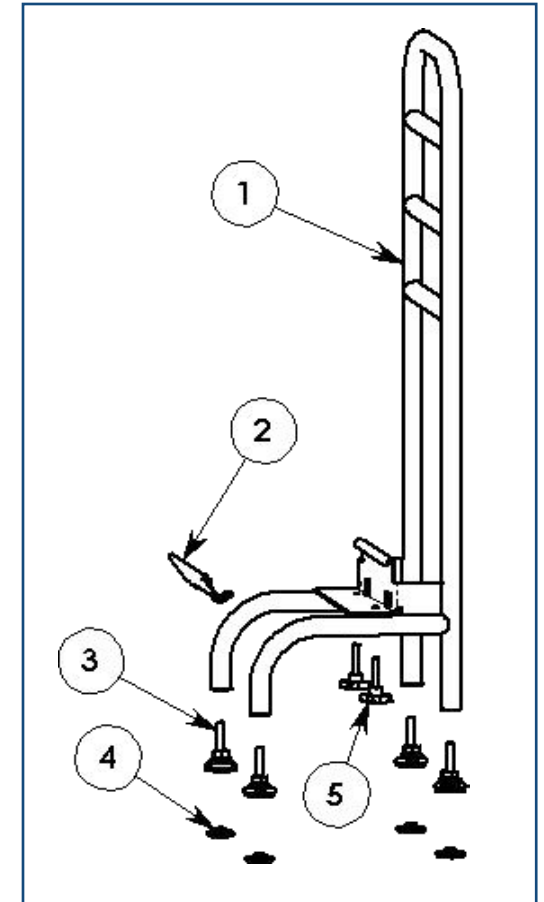


FIGURE 3



CAUTION:

This product is not intended to support full body weight. Do not use as a ladder or stand on crossbars. Do not use as a walker.