



Scott® Pro Electronic Roll Towel Dispenser Owner's Manual • Plastic

PRODUCT CODES

29737 | 29738 | 29739 | 34348 | 34349 | 35609
34368 | 34369 | 35614 | 49224 | 51922

SAFETY INSTRUCTIONS

When maintaining the dispenser, observe the following safety steps:



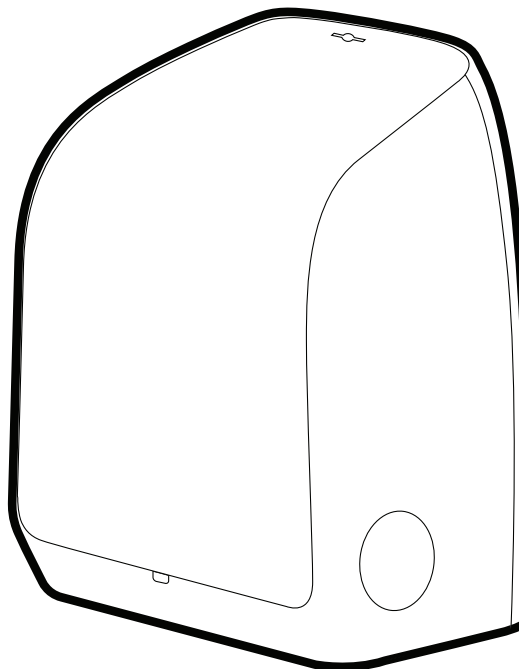
Keep Out of Reach of Children



Do Not Use Wet Hands

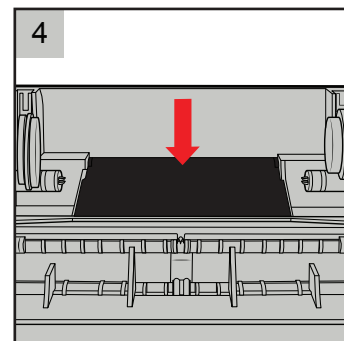
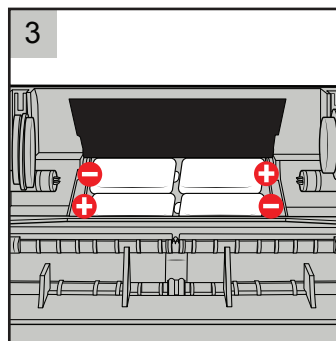
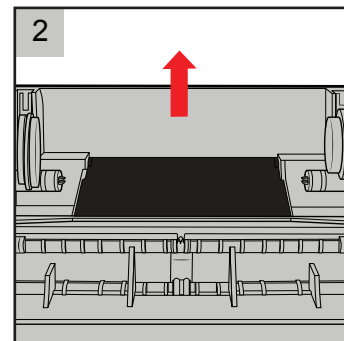
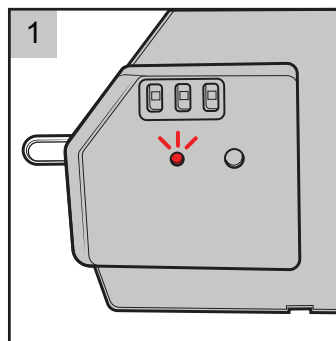


Collect WEEE Separately



LOADING BATTERIES

- 4 D type alkaline batteries required
- Rechargeable batteries are not recommended
- Change all 4 batteries at the same time, do not mix types or brand of batteries
- Do not attempt to recharge batteries
- Please follow the battery insertion instructions ensuring the polarity is correctly aligned
- Used batteries are to be disposed of safely and follow local environmental policy for disposal



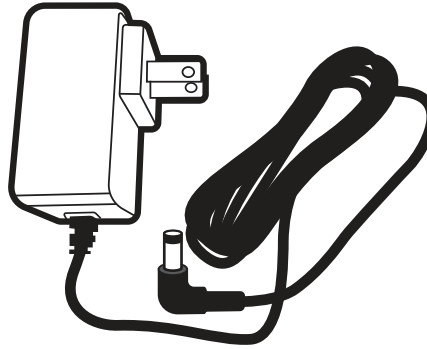
USE OF POWER ADAPTER

For customers preferring to use a power adapter and not batteries a specific adapter has been developed for use with this dispenser. The adapter code is KC 51224 and the adapter specs are included below.

Scott® Pro Electronic Towel Dispenser (eHRT), Power Adapter

Works with KC Dispenser Codes: 29737, 29738, 29739, 34348, 34349, 35609, 34368, 34369, 35614, 31501, 43823, 31498, 49224, 51922

- Adapter Code: 51224
- Works with extension: 776047
- 6 VDC
- 2.0 Amps
- Right Angle
- 5.5mm O.D.
- 2.5mm I.D.
- 10mm long
- 6 foot cord



PLUGGING POWER ADAPTER INTO PLASTIC HOUSING

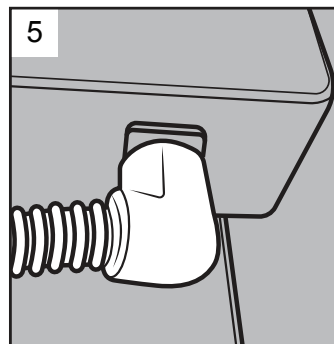
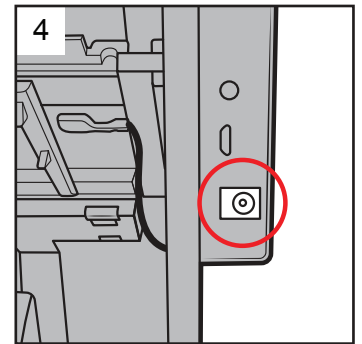
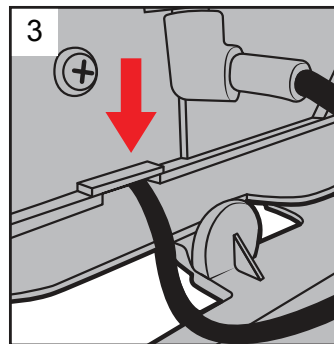
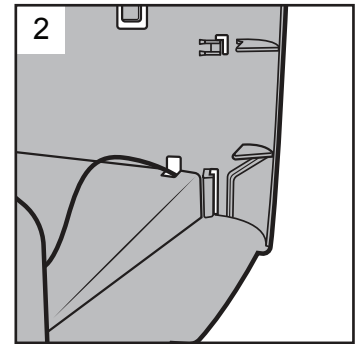
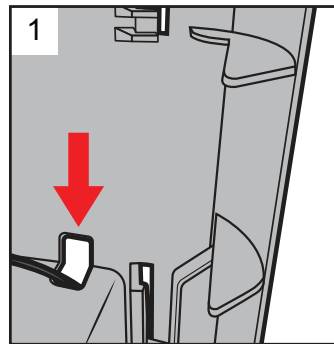
A Find hole in back housing on left side. (Figure 1)

B Pull adapter cord through hole. (Figure 2)

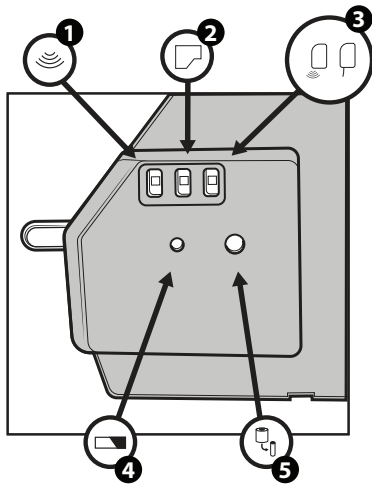
C Look for indentation in module to place cord. (Figure 3)

D Adapter Port (Figure 4)

E Adapter Plugged into Module (Figure 5)

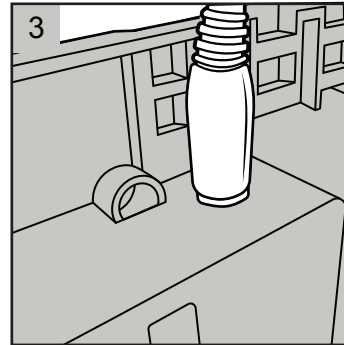
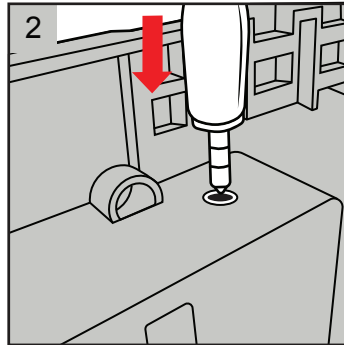
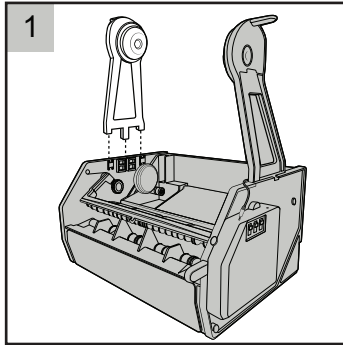


OPERATION AND FEATURES



1. 2 sensor settings - high + low
2. 3 paper length settings
3. 2 mode settings - hung + hidden
4. Low battery
5. Low paper

INSTALLATION OF ROLL HOLDERS



Kimberly Clark Professional Contact Information And Other Instructions

Website: www.kcprofessional.com
Phone: 888-346-4652

These instructions are available on our website listed above.

- Our dispensers are designed to be durable and long-lasting. When they have reached the end of that life span, we encourage our customers to try to recycle them.
- We do not make a general claim that our dispensers are recyclable because, especially with the volatility in the recycling market, we can't ensure that the majority of our customers have access to recycling centers that would accept the dispensers. (This is following guidance made in the U.S. Federal Trade Commission's Green Guide).
- Instead, we recommend that you contact local recycling partners to see if they can accept them based on their components.
 - These plastic dispensers are primarily made of Acrylonitrile Butadiene Styrene, commonly known as ABS. It's a common thermoplastic used in everyday items like auto parts, household goods, and toys.
 - They also contain minor amounts of other materials including stainless steel and plated carbon steel. There are no electronic components or batteries.
- If no recycling facilities exist in your area that accept these, another alternative to landfill is to send them to an energy-from-waste facility. These facilities responsibly incinerate materials that cannot be recycled, capture the waste heat, and convert it to energy. Check availability in your area.

Made in USA of U.S. and/or Non-U.S. Materials
Distributed in the U.S. by Kimberly Clark Global Sales, LLC, Roswell, GA 30076-2199
Distributed in Canada by Kimberly Clark Inc. Mississauga, Ontario L5B 375
Voltage Rating: 4 X 1.5 V D Size Alkaline Battery 2.0 A
UL 60335-1, CAN/CSA-C22.2 No. 60335-1

Use of this dispenser

Not recommended for outdoor installation or in wet environments. Do not attempt to clean the dispenser with a water jet. Follow the installation and usage instructions. Only use genuine Kimberly-Clark Professional product refills intended for this specific model. The dispenser can be cleaned using a damp cloth and detergent. Do not use abrasive cleaning products.