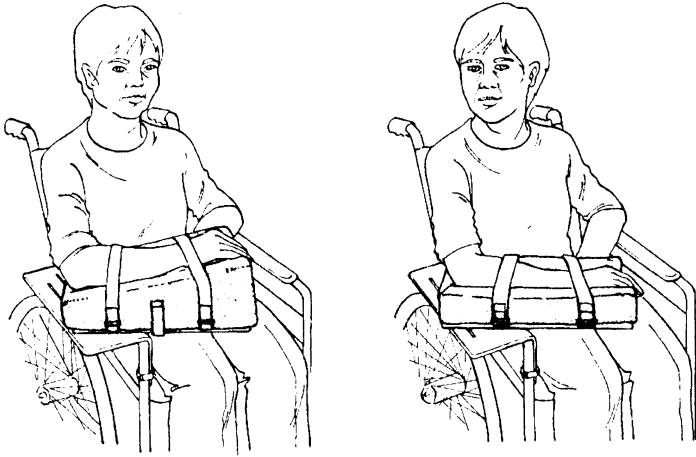


MOBILE ARM SUPPORT



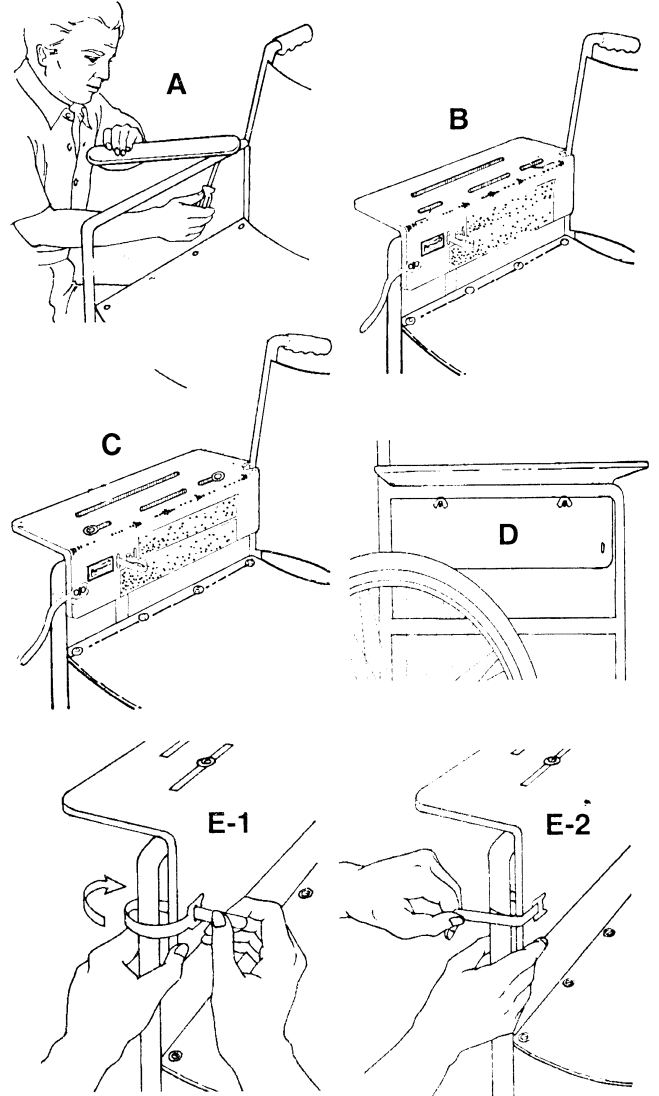
Reorder #	Description
□ 706210	Level Mobile Arm Support, Right Arm
□ 706215	Level Mobile Arm Support, Left Arm
□ 706220	Elevated Mobile Arm Support, Right Arm
□ 706225	Elevated Mobile Arm Support, Left Arm
□ 706230	Foam Arm Trough, Replacement-Level, Right & Left Arm
□ 914230	Level Mobile Arm Support w/Gel, Right Arm
□ 914235	Level Mobile Arm Support w/Gel, Left Arm
□ 706235	Replacement Straps, Pair

Purpose

The unique shoulder-elbow-wrist-hand orthosis features an adjustable-angle capability that permits you to adapt it to the specific needs of your patient. Designed for easy installation to any full-arm or desk-arm wheelchair, it provides stable arm and lateral body support. Available in a level-arm model or an elevated-arm model which provides full-hand extension for edema control. The removable arm trough is constructed of high-density foam for comfortable support. It is covered with spray-and-wipe nylon for easy cleaning. Please note that this product is supplied in left-arm-only and right-arm-only models.

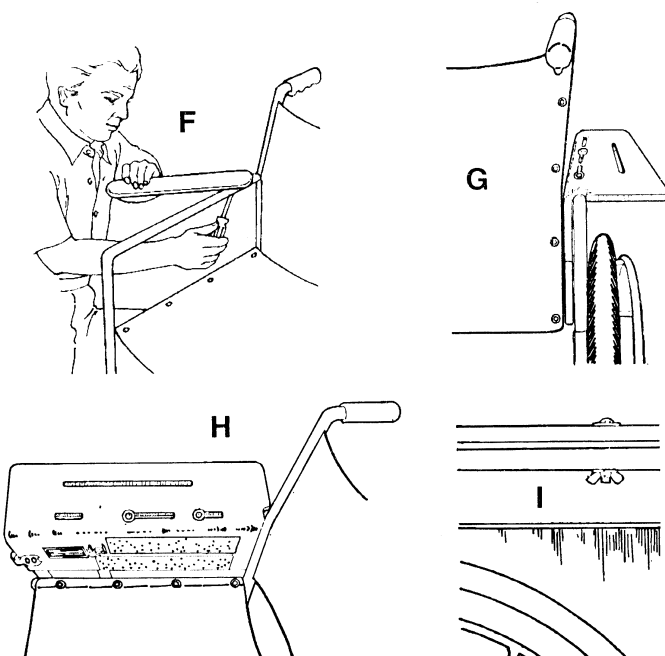
Installation Instructions - Full-Arm Wheelchair. (Instructions are the same for right-arm or left-arm devices).

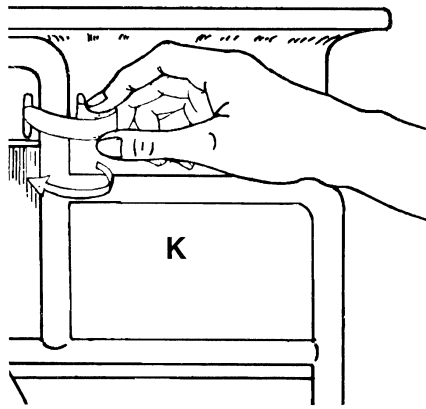
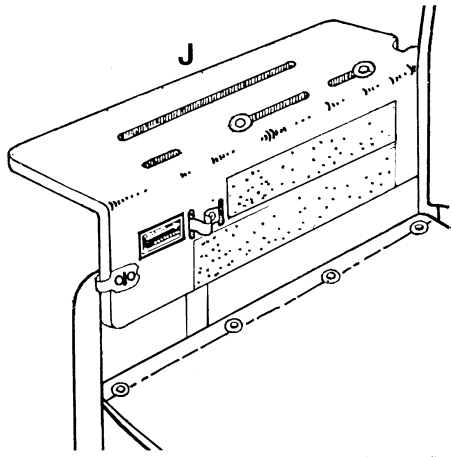
1. Remove left or right wheelchair armrest pad. (Illustration A)
2. Place slotted base on armrest support bar so that slots face up and notch fits around backrest support bar. (Illustration B)
3. Place the large washers on the long bolts. Position the base so that the screw holes in the armrest support bar are visible through two of the three slots. Insert the long bolts through these slots and through the holes in the armrest support bar. (Illustration C) Place a small washer on the end of each bolt and secure with a wing nut. (Illustration D)
4. Wrap the Velcro® strap indicated for "Full-Arm Attachment" (see label on support base) around vertical bar at front of chair and insert through slot on opposite side of base. (Illustration E-1) Press arm support base against bar while wrapping Velcro® strap as tightly as possible to stabilize base. Secure Velcro® strap. (Illustration E-2) The base is now installed. **See Arm Support Attachment Instructions** on reverse side.



Installation Instructions - Desk-Arm Wheelchair. (Instructions are the same for right-arm or left-arm devices.)

1. Remove left or right wheelchair armrest pad. (Illustration F-Full-arm shown for illustrative purposes only.)
2. Place slotted base on armrest support bar so that slots face up, notch is over support bar, and rear of base is positioned between backrest bar and armrest support bar. (Illustration G)
3. Place the large washers on the long bolts. Position the base so that the screw holes in the armrest support bar are visible through two of the three slots. Insert the long bolts through these slots and through the holes in the armrest support bar. (Illustration H) Place a small washer on the end of each bolt and secure with a wing nut. (Illustration I)

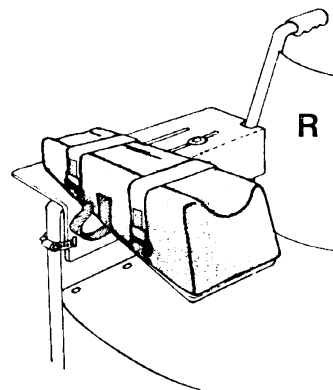
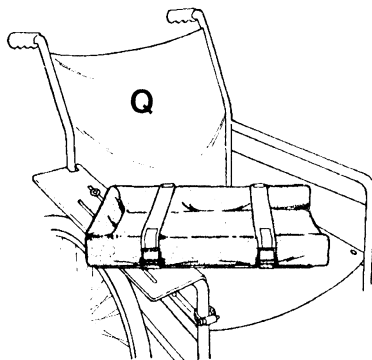
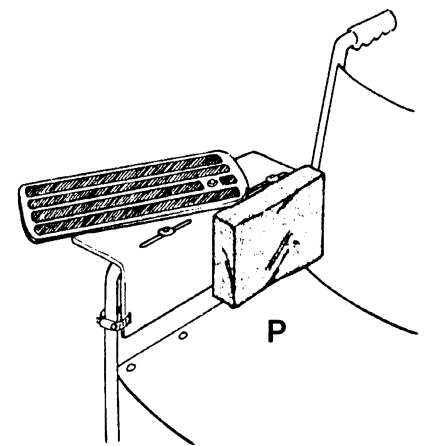
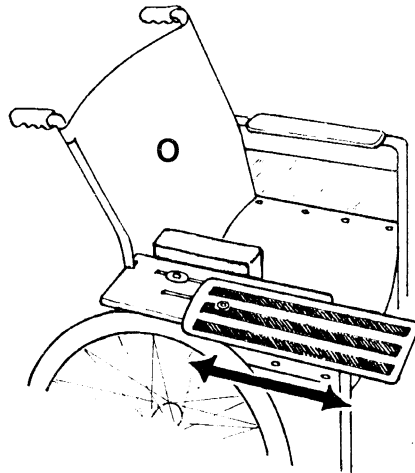
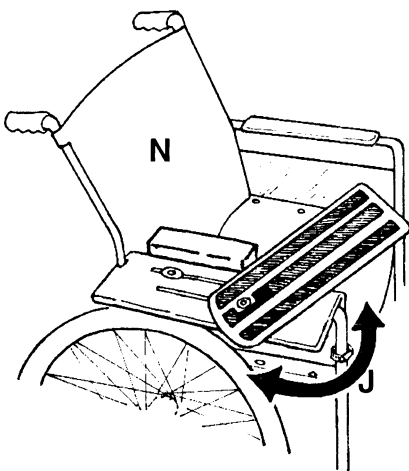
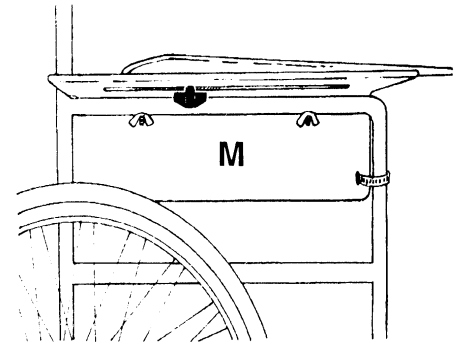
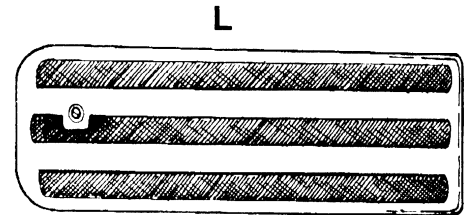




4. Insert the Velcro® strap indicated for “Desk-Arm Attachment” (see label on support base) through the slot in the base. (Illustration J) Wrap the strap around the armrest support bar and insert end in slot as shown in illustration. (Illustration K) Secure Velcro® The base is now installed. See **Arm Support Attachment Instructions** below.

Arm Support Attachment Instructions (Instructions are the same for full-arm and desk-arm models.)

1. Place the small metal washer on the short bolt and insert the bolt in the hole in the arm support. Be certain that Velcro® strips face up. (Illustration L) Insert bolt through large rubber washer on reverse side of arm support.
2. Insert the short bolt through the long slot in the base. Secure with plastic knob. (Illustration M)
3. Loosening the plastic knob permits you to adjust both the angle and depth of the arm support. (Illustrations N and O) Tighten the knob to secure the arm support in the position you've selected for your patient.
4. Attach hip comfort pad to arm support base. (Illustration P)
5. Place the padded arm trough on arm support. The **level arm trough** has an open and a closed end. The trough should be positioned with the closed end at the patient's elbow. (Illustration Q) The **elevated arm trough** has Velcro® straps for stability. Be certain that these are fastened around the arm support. (Illustration R)



Cleaning and Care

The nylon arm trough covers may be cleaned with a mild spray-and-wipe cleanser and damp cloth. Lint and other particles will accumulate in the Velcro fasteners. These may be removed by brushing the fasteners with a small, stiff brush.