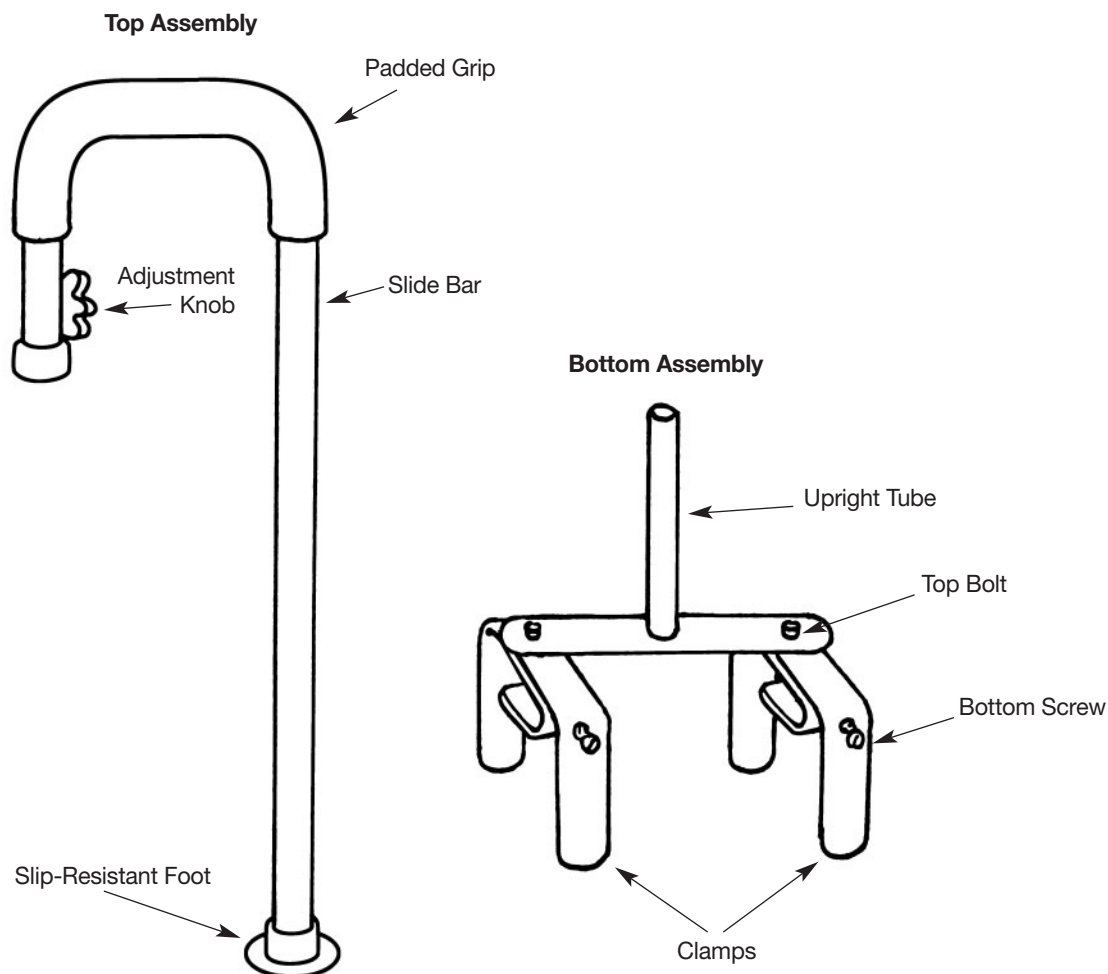


The Sammons Preston Floor to Tub Bath Rail

9203-06



How to Install the Floor to Tub Bath Rail

1. Read the precautions at right. Note the components, especially the Top Assembly and the Bottom Assembly.
2. Before installation, clean the sides of tub to remove all soap film and grease. Decide where the bath rail should go on the tub for entry and exit. If the rail will be used for toilet transfers, consider this when determining the desired location.
3. Starting with the Bottom Assembly, loosen the Top Bolts slightly—just enough so that clamps
- will be able to move. Then untighten the Bottom Screws.
4. Double check the desired location and position the Bottom Assembly on the side of the bathtub; secure it by rotating the Bottom Screws until they are tight. Next, tighten the Top Bolts.
5. Now it's time to install the Top Assembly. First, unscrew the easy-turn Adjustment Knob. Attach the Slide Bar of the Top Assembly onto the Upright Tube of the Bottom Assembly.
6. Secure the Adjustment Knob when the Slip-Resistant Foot is tight against the floor.

Precautions

- A qualified professional should do the installation.
- Consult a physician or therapist for suggestions on placement of the rail.
- The user must not weigh more than 200 lbs.
- Use only on a modern tub wall with a width of 3 $\frac{3}{8}$ " to 5 $\frac{3}{8}$ ".



Sammons Preston
A Patterson Medical Company
1000 Remington Blvd., Suite 210
Bolingbrook, IL 60440
Phone: 800-323-5547
Direct Phone: 630-378-6000
Fax: 800-547-4333
Direct Fax: 630-378-6310



Sammons Preston
A Patterson Medical Company
W68 N158 Evergreen Blvd.
Cedarburg, WI 53012



Authorized European Representative
Homecraft Rolyan
A Patterson Medical Company
Nunn Brook Road, Huthwaite
Sutton-In-Ashfield, Nottinghamshire NG17
2HU
United Kingdom
Phone: 08702 423 305
Fax: 08701 660 211

International
Phone: +44 1623 759 146
Fax: +44 1623 726 886

© April 2009
Patterson Medical Products, Inc.