

# BESTLIFT®

## PL350CT | FULL BODY PATIENT LIFT

The BestLift® PL350CT is the perfect solution for car transfers and your everyday transfer needs. With its unique spreader bar, this BestLift is able to position patients from sitting to a lying down position with minimal patient movement. It also transfer them from the car, wheelchair, floor or bed and adds versatility by folding up for easy transportation.

### Car Transfer Specialist

- **350lb** capacity
- Easy car transfer
- Fully electric lift with optimal spare battery
- Foldable and portable for easy transport
- Compatible with most plastic clip slings
- Minimal swinging of patient



2920 PACIFIC DR., NORCROSS, GA 30071  
WWW.BESTCARELLC.COM  
678-679-6690



# | PL350CT - Car Transfer Lift



PL350CT BEING USED TO PICK UP A PATIENT

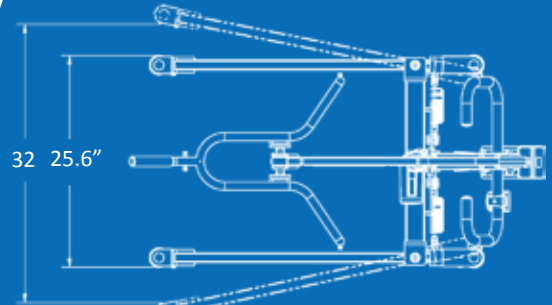


SIDE VIEW OF THE PL350CT INCLINED POSITION

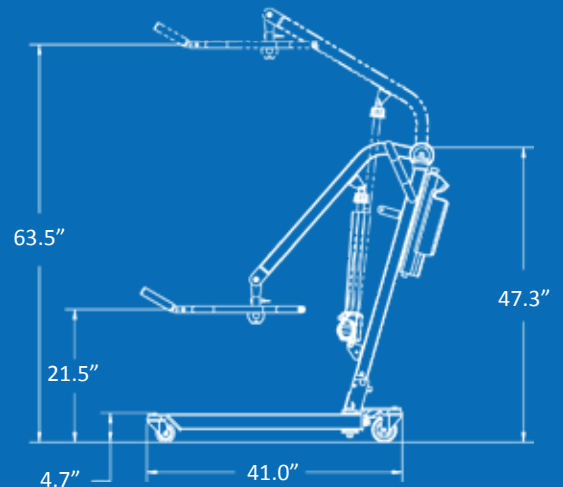


SIDE VIEW OF THE PL350CT LYING POSITION

## Easy Transfer in-and-out cars



TOP VIEW OF PL350CT



SIDE VIEW OF PL350CT

## | DIMENSIONS

Key dimensions of PL350CT	
maximum capacity	350Lb / 158.8Kg
base legs length	41.0 in
base closed external width	25.6 in
base opened internal width	32 in
base height	4.7 in
mast height	47.3 in
min lifting height	21.5 in
max lifting height	63.5 in
netweight	94Lb / 43Kg
shipping weight	108Lb / 49Kg

**SPECIFICATIONS PROVIDED ARE A GENERAL GUIDELINE AND ARE SUBJECT TO CHANGE WITHOUT NOTICE**