

Model: PL350CT



**BEFORE USE:**



Ensure the product has been assembled according to the instructions in this manual. All operators should read and understand the instructions for safe and proper operation of the patient lift.

# Thank you for choosing Bestcare!

To better serve you, please record the following information for future use:

Supplier Name: \_\_\_\_\_

Supplier Telephone: \_\_\_\_\_

Product Serial Number: \_\_\_\_\_

Date of Purchase: \_\_\_\_\_

## INSPECT YOUR MERCHANDISE

Upon receipt of your Bestcare Lift, verify that it is complete and free from any shipping damage. Refuse delivery if the packaging appears to be badly damaged. If the merchandise is damaged or any component is missing, contact the shipping company immediately and file a claim. For further assistance, contact your local dealer or Bestcare LLC.

## DEFINITIONS & SYMBOLS

In this manual the user refers to the patient or resident and may be used interchangeably at different times. Caregiver refers to the operator or person who is assisting with the transfer.

Symbols used in this manual and their meanings:



Warning! Failure to heed this warning may result in damage to the product or serious injury to the operator and/or user.



Important instructions follow. Read and understand the instructions in the manual before using the product.



Note! Important information concerning the product and/or its correct and proper usage follows.

# Safety Instructions



The BestLift Series of full body patient lifts reflect innovative state of the art design to increase user mobility. A BestLift will provide years of service if it is properly maintained as any electric and/or mechanical equipment requires. Please pay careful attention to the following important information regarding the care, maintenance, and operation of the patient lift. Carefully read these instructions before assembling the lift, or attempting to lift a user with the device.

## Please Note



- Special care must be taken with users/patients who cannot themselves provide assistance while being lifted. (i.e. patients who are comatose, spastic, agitated, or otherwise severely handicapped.)
- The patient lift should be used solely for transferring a user/patient from one utility (beds, chairs, toilets, etc.) to another. The patient lift should not be used for transporting or moving any patient from one location to another location.
- During lifting or lowering, whenever possible, always keep the base of the lift in the widest position.
- The base of the lift should be closed before moving the lift.
- Do not roll casters over any object while the user/patient is in the sling.
- Do not lock casters during lifting.
- While being lifted in a sling, always keep the user/patient centered over the base and facing the caregiver operating the lifter.
- Never leave the user/patient unattended during lifting.

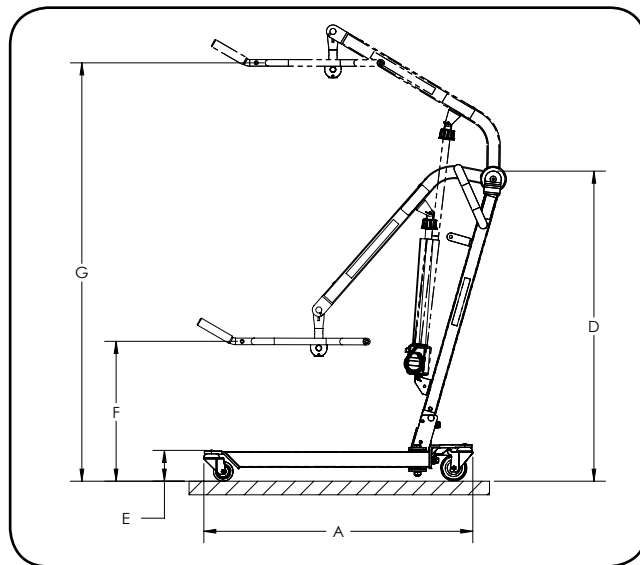
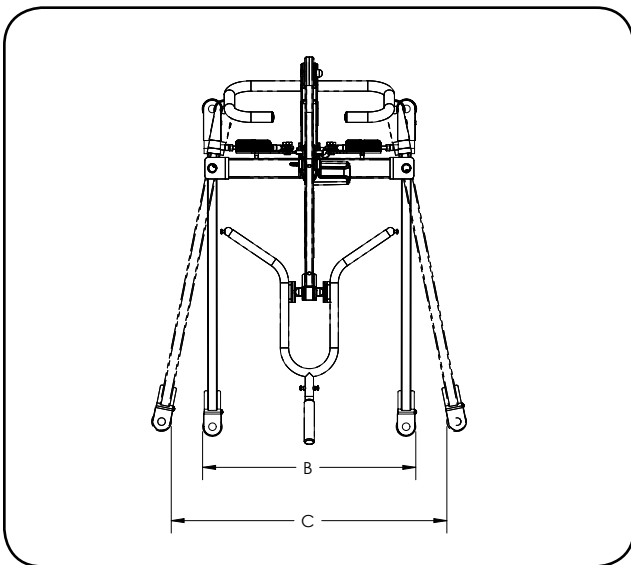
The BestLift allows a person to be lifted and transferred safely, with minimum physical effort provided by the caregiver. Before attempting to lift anyone, please practice operating the lift. Also prior to actual lifting, explain the lifting procedure to the user/patient.



# SPECIFICATIONS & OPTIONS

## Specifications of Control Unit

Input Voltage	220-240VAC 50Hz / 110-120VAC 60Hz
Output Voltage	24 VDC
Battery Pack	24 VDC 5AH
Lift Control	Handset and Panel
Protection Class	IP54
Overload Warning	by LCD
Battery Status	by LCD



Dimensions & Specifications		
	Model	PL350CT
	Safe Working Load	350 lb
A	Base Length	40.7"
B	Base Ext. Width - Closed	25.7"
C	Base Int. Width - Opened	33.3"
D	Mast Height	47"
E	Front Caster Height	4.7"
F	Lifting Height - Lowest	21.2"
G	Lifting Height - Highest	63.3"

Standard Features	
1	Foldable Lift Frame
2	4-Points Dynamic Spreader Bar
3	4" Rear Caster with Brake
4	3" Dual Front Caster
5	Power Control Unit
Optional Features	
6	Charging Cradle
7	Second Battery pack

\* Bestcare is committed to continuous improvements of our products therefore the specs, dimensions, and features listed above are for guidance only and subject to change without prior notice.



# FEATURES & OVERVIEW

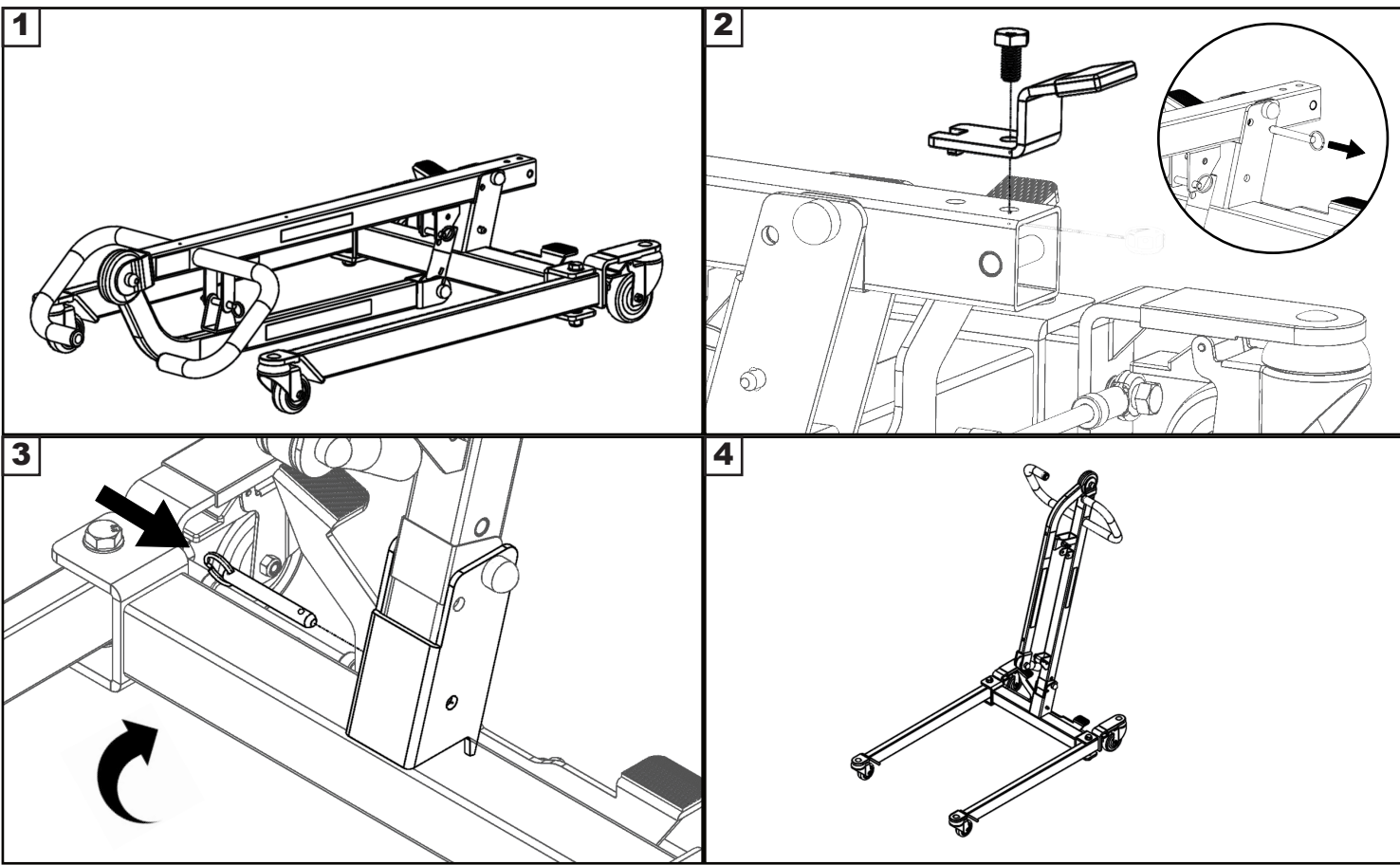
**i** Prior to assembly, unpack all parts from the shipping carton and check for any missing parts. Contact your dealer immediately if a part is missing.



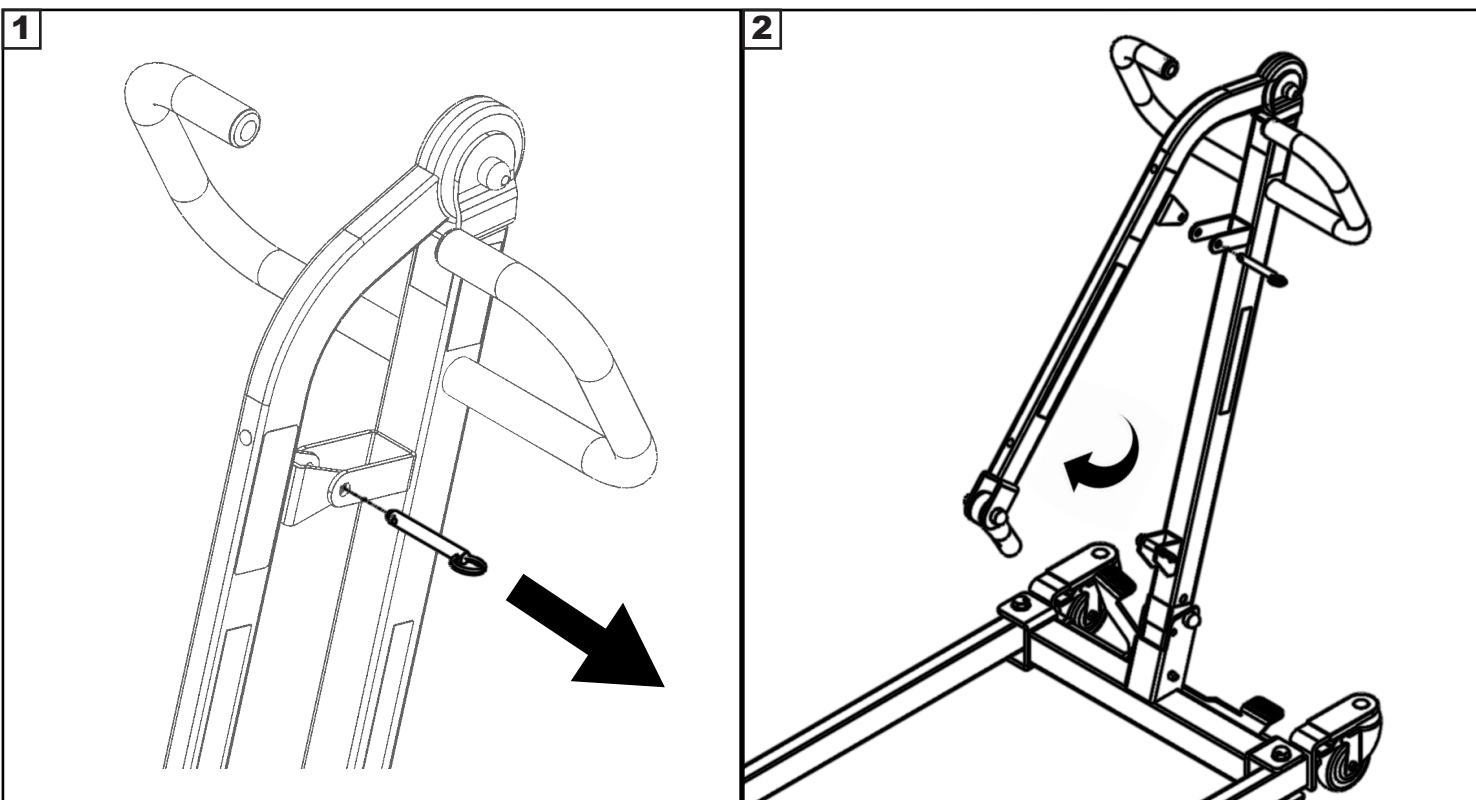
1	4-point Dynamic Spreader Bar	5	Leg opening pedal	9	Mast
2	Boom	6	Rear caster	10	Actuator
3	Control Unit	7	Front caster	11	Emergency lowering
4	Hand Control	8	Base		

# Installation

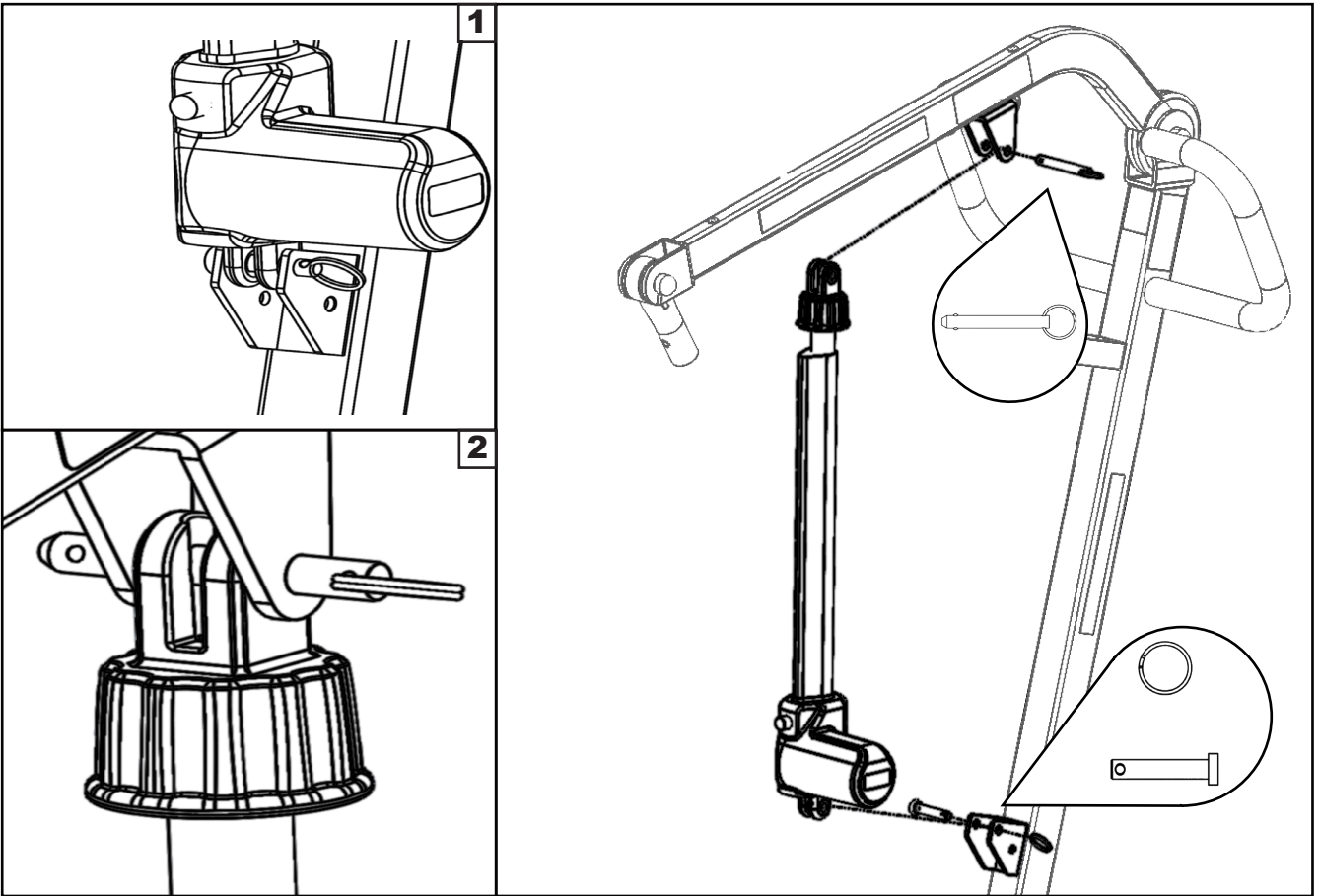
## Step 1: Base and Mast



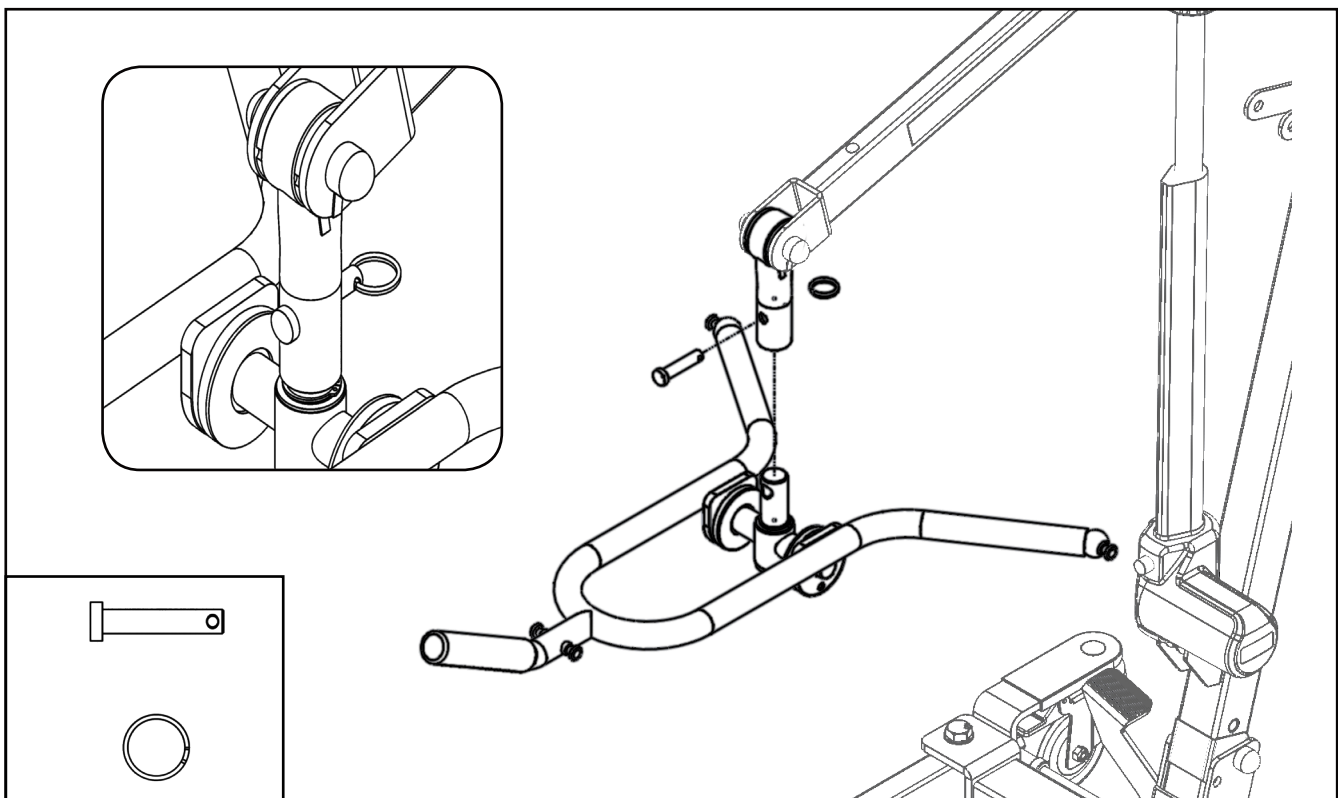
## Step 2: Unlock the Boom



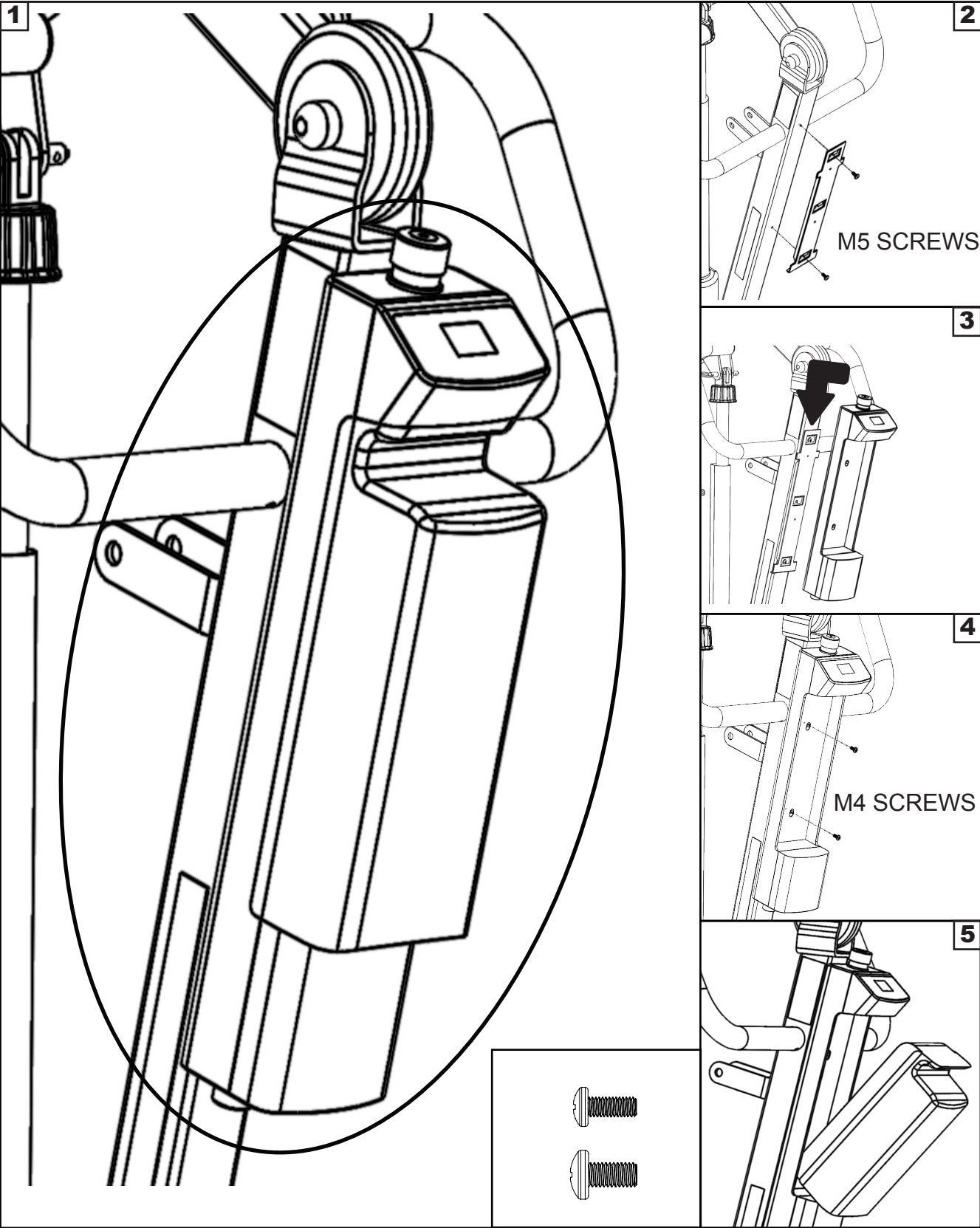
### Step 3: Actuator



### Step 4: Spreader Bar

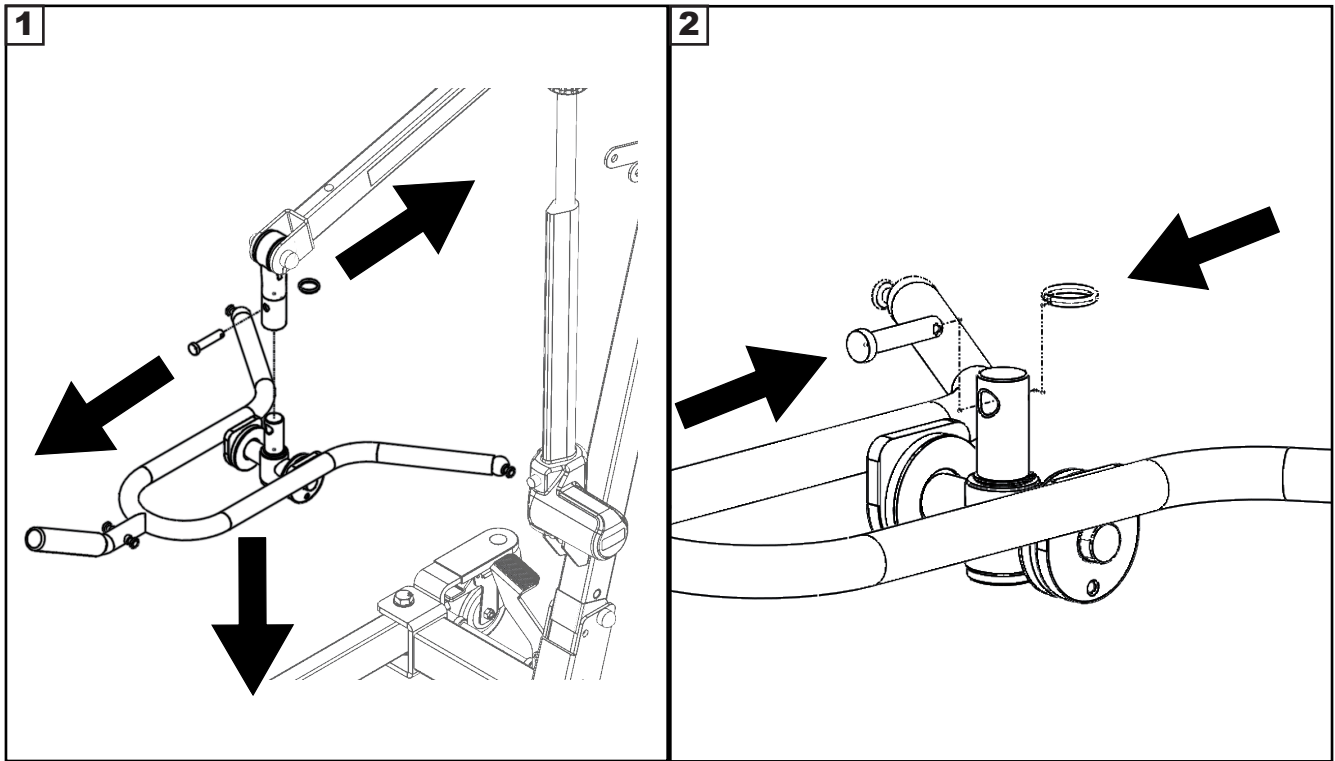


# Step 5: Power Control Unit

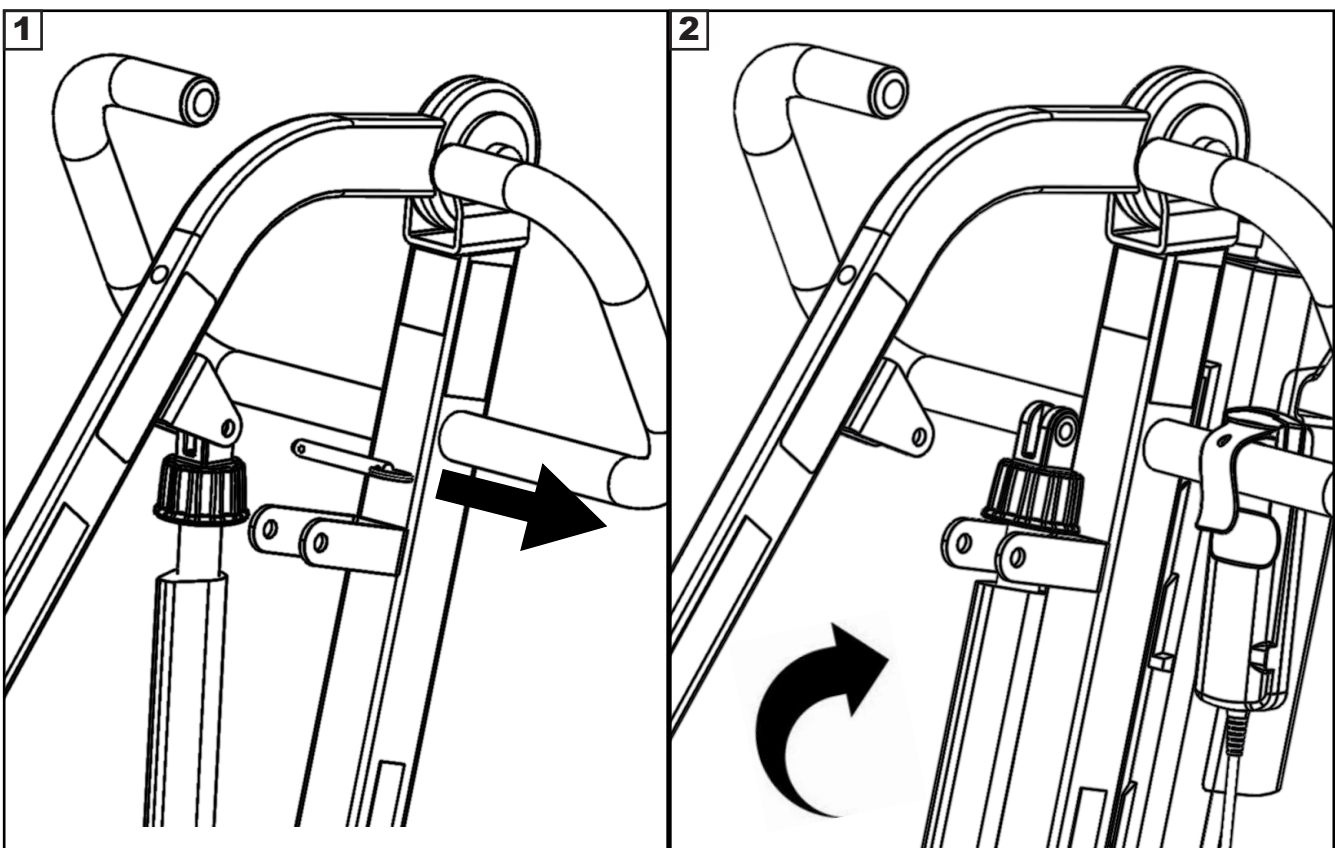


# Fold Up The Lift For Storage or Transport

## Step 1: Remove The Spreader Bar

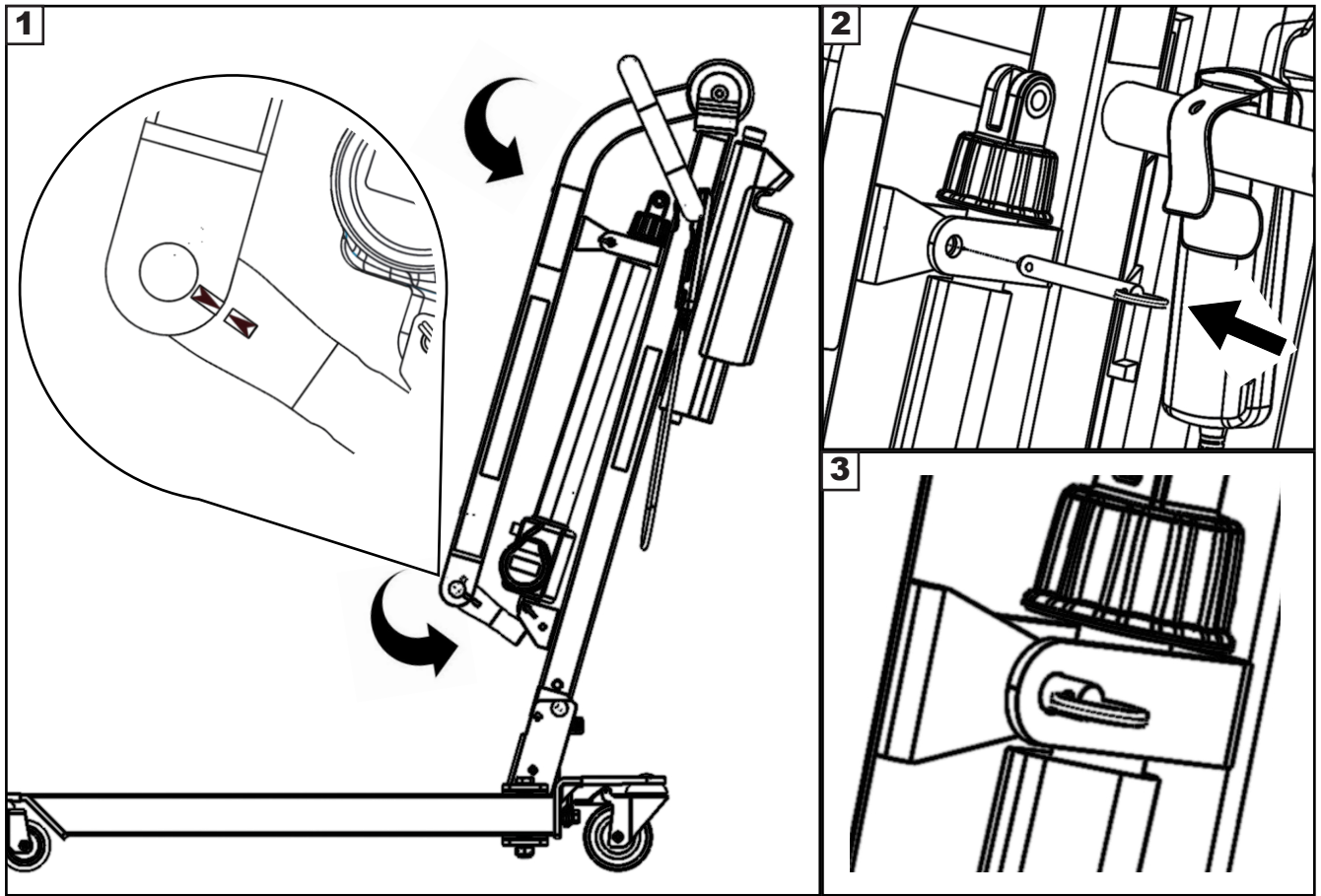


## Step 2: Detach The Actuator

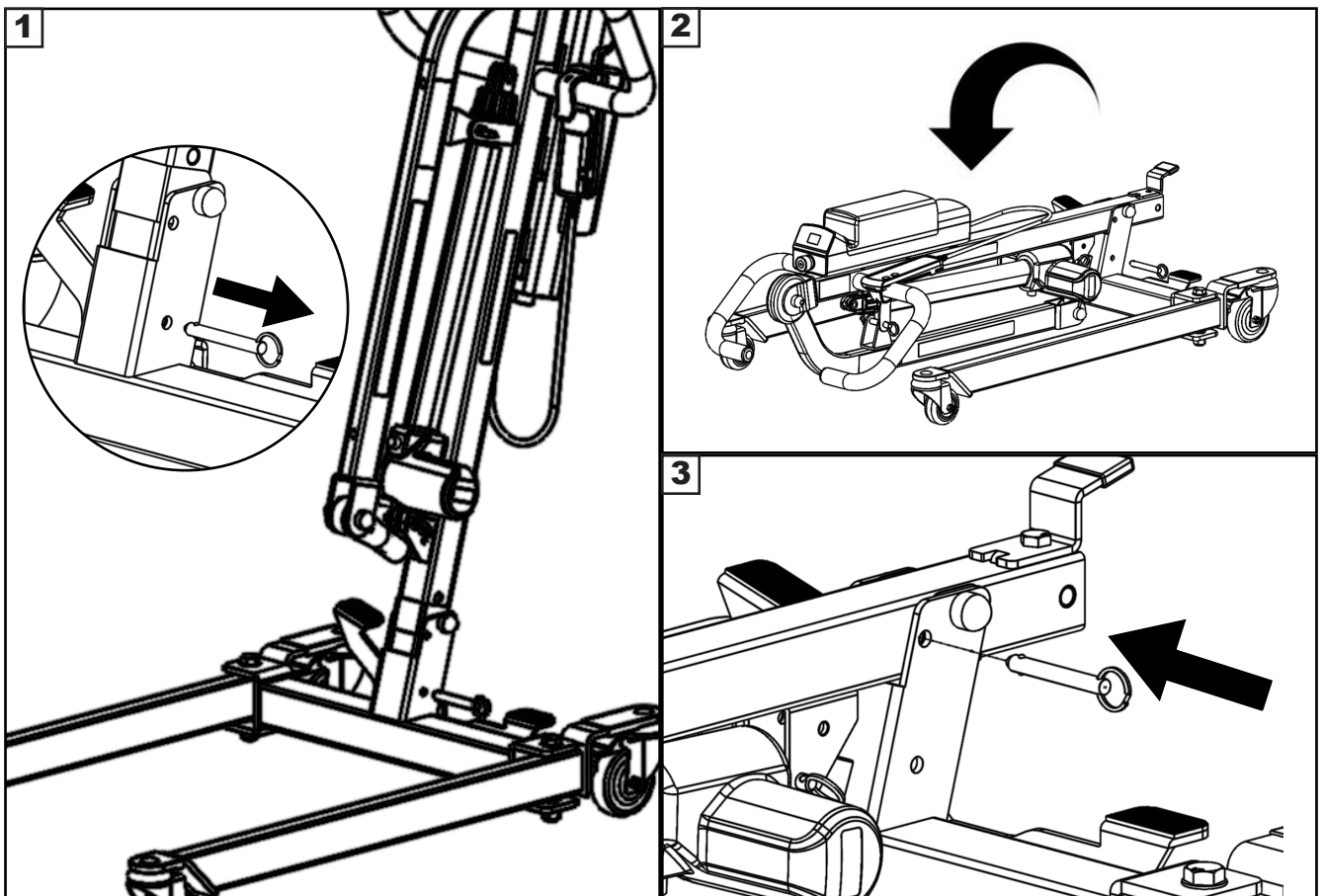




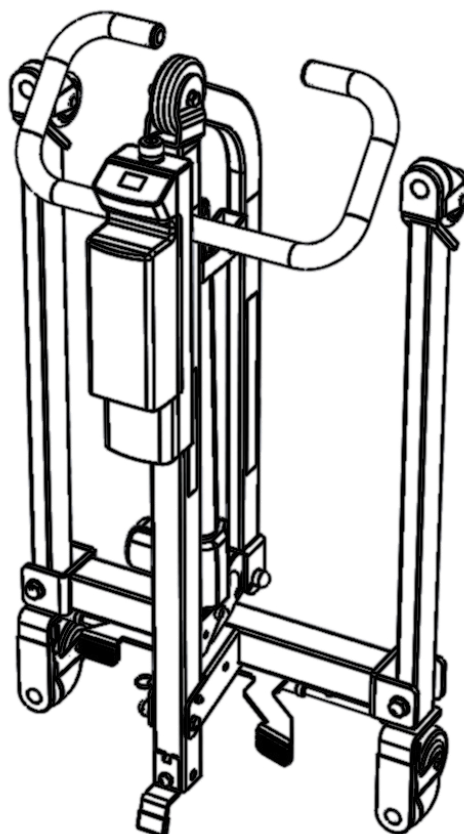
### Step 3: Fold Up The Boom



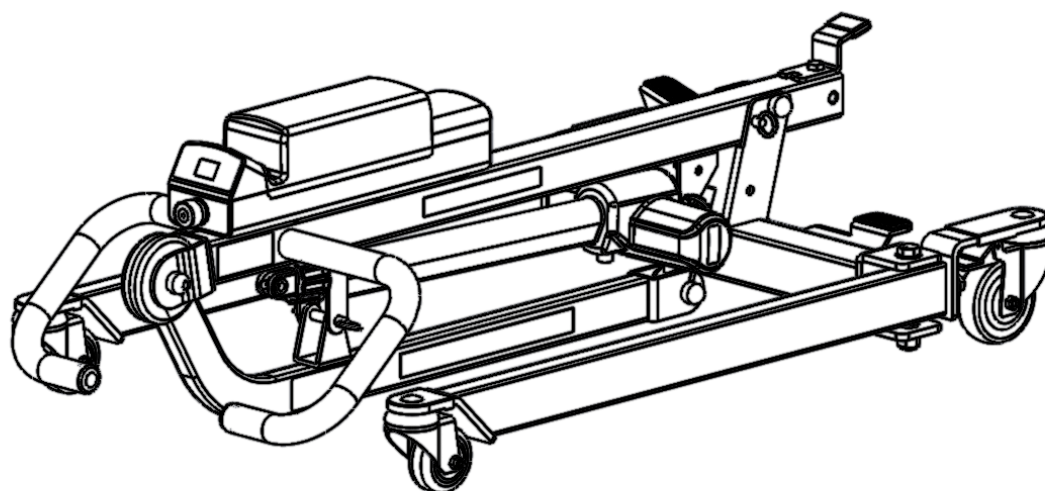
### Step 4: Fold Up The Mast



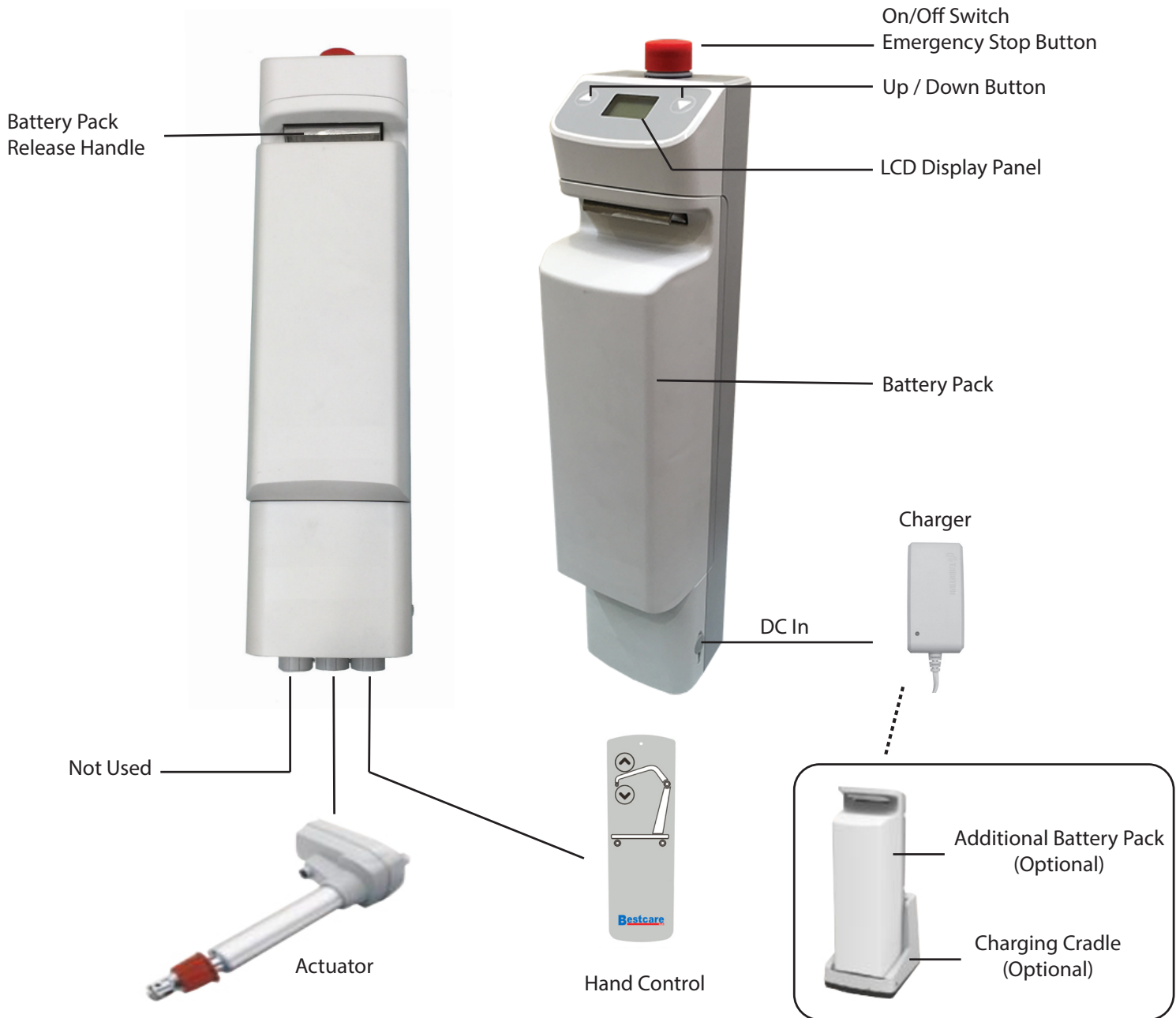
Standing Up



Lying Down



# Power Control Unit Overview



1. Connect Actuator as shown above.
2. Connect Hand Control as shown above.



# Power: ON / OFF



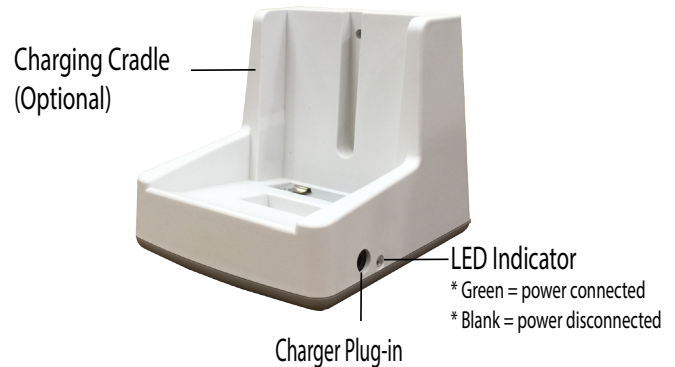
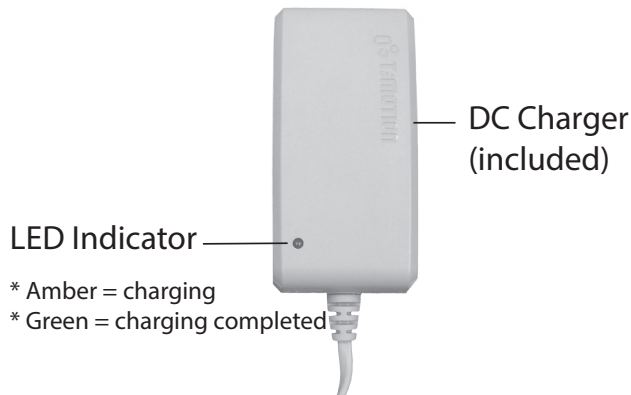
## LCD Display Panel Signs - Power ON

When the power is turned ON, the LCD Display Panel will show one of the four signs below.

- The sign will display for 5 seconds.
- Then the lift will go into standby mode and the sign disappears.
- The lift is ready for use.



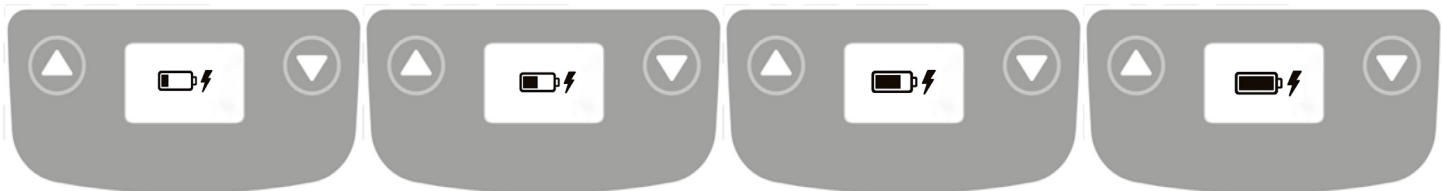
# Charging: DC Charger or Charging Cradle



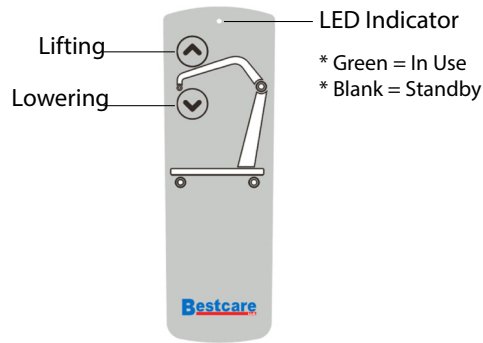
## LCD Display Panel Signs - Charging

During charging, the LCD Display Panel will show one of the four signs below.

- The DC Charger must be connected.
- The Power must remain ON.
- The battery will not be charged if Power is OFF.

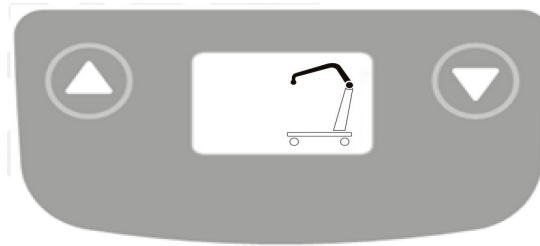


# Operating Lift: Using Hand Control



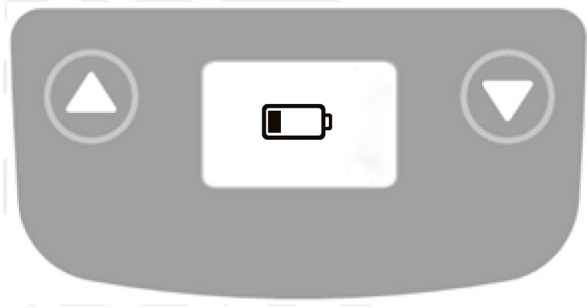
Button	Press Button	Release Button

# Operating Lift: Using LCD Display Panel



Button	Press Button	Release Button

## Warning! - Battery Low and Charging is Needed



If the battery needs to be charged, the LCD Display Panel will show a blinking low battery sign shown on the left either when the lift is turned ON or when a button on the LCD Display Panel is pressed.

- Lift is still functioning.
- Buzzer will beep every 2 seconds.
- Battery needs to be charged immediately after use.

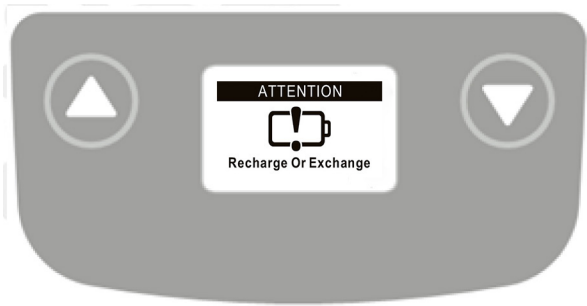
## Warning! - Overloaded



During lifting if the lift is overloaded, the LCD Display Panel will show the sign on the left and lifting will be deactivated immediately.

- The buzzer will beep 3 times.
- Lowering the lift by pressing the DOWN button is still allowed.
- Lift must be turned OFF and then turned ON before further Lifting.

## Warning! - Charge Battery Immediately



If the battery is critically low, the LCD Display Panel will show the sign on the left either when the lift is turned ON or when a button on the LCD Display Panel is pressed.

- Lift operation is deactivated.
- Battery needs to be charged immediately before further use.

# Operating Instructions



**Double check all assemblies for tightness and read operating instructions carefully prior to use.**



**Turn the lift “ON” by turning the red “Emergency Stop” button clockwise. Turn the lift “OFF” by pressing down the “Emergency Stop” button.**



## **PREPARATION BEFORE LIFTING**

- Turn on the power by twisting the RED EMERGENCY STOP BUTTON clockwise.
- Verify the Lifting and Lowering Functions by pressing either the UP or DOWN button on the hand control once.
- Position the base of the lift around or under the object.
- Widen the base and disengage the caster brakes.



Do not attempt to transfer a patient without prior approval of the person’s nurse. Also, do not transfer without having studied the instructions and performed several practices in operating the product. Together (with the patient’s doctor, nurse, or medical attendant) select a sling that is both practical and comfortable. The sling selected should be one that serves the needs of the patient, while providing the patient with optimal safety. Never interfere with the lift, unless instructed by the attendant. Have a doctor, nurse, or medical attendant (experienced in the use of the BestLift) present during the first few times the lift is used to transfer a new user.

# Sling Hook-Up Guide



Sling Hook



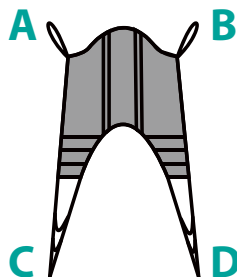
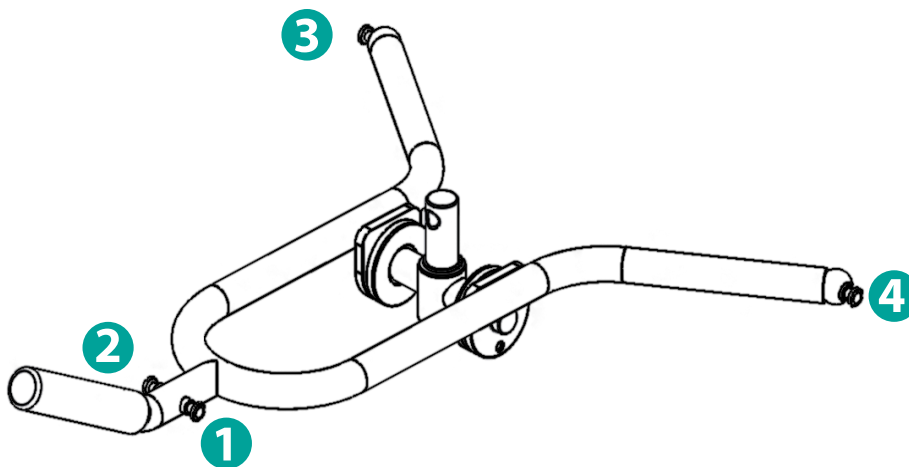
Sling Clip



- Slide the clip over the sling hook on the spreader bar through the hole
- Pull down the clip to lock the sling on to the spreader bar

Compatible Sling	
Sling Model	Sling Size
MAA4000M-M	M
MAA4000M-L	L
MAA4000M-XL	XL

Compatible Disposable Sling	
Sling Model	Sling Size
MFA4000M-M	M
MFA4000M-L	L
MFA4000M-XL	XL



4 Strap Sling

- Hook up A → Point 1
- Hook up B → Point 2
- Insert D through C
- Hook up C → Point 3
- Hook up D → Point 4

For further product information and support, please contact your dealer or visit our website at [www.bestcarellc.com](http://www.bestcarellc.com)



## **Transfer From Bed to Wheelchair**

- User/patient should be in the center of the bed.
- Position user onto his/her side by rolling user towards you.
- Roll the sling in approximately half. The handle on the back section should face outward when the sling is fitted.
- Position the sling under the user/patient so the commode aperture aligns with the base of the spine and top of the sling close to the neck.
- Roll user onto the opposite side and position him/her on the flat section of the sling. This will allow you to unroll the remainder of the sling from the other side of the user.
- Once the sling has been positioned centrally, feed the leg sections under the thighs and draw them up between the thighs.
- Raise the head of the bed if this function is available.
- Move the lift slowly towards the user and position the spreader bar over the user's/patient's chest. Attach clips of the sling to the hooks on Spreader Bar as shown in the Sling Hook-Up Guide.
- Lift the user above the bed by using the hand control.
- Pull lift away from bed. Position user over the wheelchair or chair then lower the patient onto the surface.
- Reverse the above procedures when returning the user/patient to bed.

## **Transfer From Wheelchair to Bed**

- Grasp the sling at each corner of the "U" shape of the commode aperture.
- The sling should be fitted with the grab handles on the backsection facing outward.
- Help the user lean forward slightly, then slide the sling down between the chair and the user's back.
- Position the commode aperture where the buttocks meets the seat.
- Position the sling equally around both sides of the body.
- Draw the leg sections to the front along the length of the user's thigh.
- Check the sling's central positioning by comparing the lengths of the leg sections when they are drawn forward.
- Reposition the sling if the leg sections are not equal in length.
- Feed the leg sections under the thighs.
- From between the legs, gently pull the leg section up the inner thigh. Feed as much material as possible under and between the thighs. Ensure the leg sections are positioned midway under the thighs to provide good support and greater comfort.
- Move the lift slowly towards the user and position the spreaderbar over the user's chest. Attach clips of the sling to the hooks on Spreader Bar as shown in the Sling Hook-Up Guide.
- Lift patient above the wheelchair by using the hand control.
- Pull lift away from wheelchair. Position patient over bed and lower patient onto bed
- Reverse the above procedures when returning the user/patient to a wheelchair.

# Maintenance & Inspection



- The operator of the lift shall inspect the BestLift before each use. Check all bolts for tightness. Make sure the base can be easily widened, and that all lift parts are in place. Make sure that casters can be turned freely, and that caster brakes can be engaged. Make certain all necessary items (i.e. slings, and wheelchairs, etc.) are ready for use.
- At least once a month, the lift should be thoroughly inspected by a person qualified to recognize any signs of wear and tear, and looseness of bolts or parts. Replace any worn parts immediately.
- To lubricate, put a drop of oil on the following points when the BestLift is placed into service and every month thereafter: Top of Mast, Spreader Hinge, and Caster Axles.

	First Received	Monthly	Every 3 Months
<b>Boom &amp; Spreader Bar</b>			
Check connections between boom and spreader bar for improper connection,	●	●	
Check connections between boom and mast for improper connection, looseness or wear.	●	●	
Check the boom for bending and deflection.		●	
<b>Mast</b>			
Check the mast for bending or deflection.	●	●	
<b>Base &amp; Foot Pedal</b>			
Check bolts and nuts for looseness.	●	●	
Check casters and axle bolts for tightness.	●	●	
Check rubber parts on the casters for deflection.	●		●
Apply grease to caster ball bearings if needed.			●
Check welding joints for rust and crack.		●	●
<b>Actuator &amp; Control Box</b>			
Make sure the control box is firmly affixed to the mast.	●	●	
Make sure the actuator is secured to the boom and mast with pins and key rings.	●	●	
Make sure actuator plug into control box is not loose.	●	●	
<b>Sling &amp; Sling Hardware</b>			
Check sling for wear.	●	●	
Check sling hardware every time before use.	●	●	
<b>Lift Cleaning</b>	As Needed.	As Needed.	As Needed.

# **Troubleshooting Guide**

---

The following list of encountered problems and solutions will assist you in determining what may be causing your patient lift not to function as designed. If you have a problem occurring which is not listed below please contact your dealer or technical support for help. Do not attempt to repair or replace components or parts on your lift as this may void your warranty or cause further problems that may result in patient injury. Stop using your lift immediately if it is not functioning correctly or any warning beeps are heard.

***I need to re-charge my batteries often or they fail to hold a charge when I charge them.***

- Replace the batteries or battery pack as they are at the end of their life cycle
- Batteries should be changed every 18-24 months depending on usage

***The actuator will either go up or down but not both***

- Replace your hand control as it is at the end of its life cycle
- Your control box may be malfunctioning

***There is a grinding sound inside the actuator when lifting***

- Replace your actuator as the internal gears are stripped

***The actuator stops and starts while lifting or lowering***

- Replace the batteries or battery pack as they are at the end of their life cycle

***My lift will not operate even though it shows the batteries are charged***

- Unplug the AC power cord from the control box as the lift will not work when the control box/charger is connected to AC Power.
- Check to make sure the hand control is properly inserted all the way into the control box port.
- Check to make sure the actuator plug is properly connected and inserted all the way into the control box
- Your hand control needs to be replaced as it is at the end of its life cycle

***If there is a problem you could not solve, please contact your dealer for assistance.***



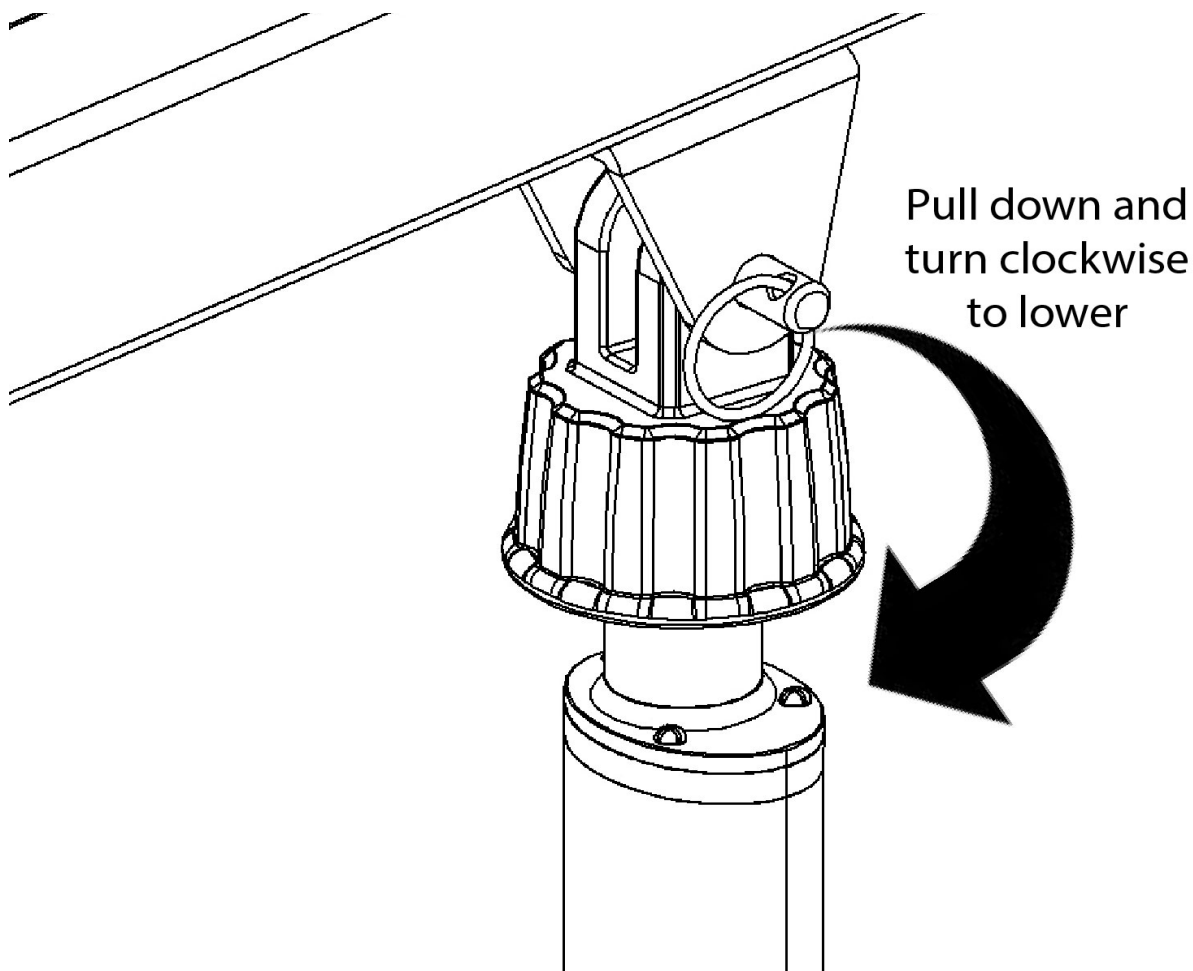


# Emergency Lowering Mechanism

Contact your dealer immediately if standard troubleshooting techniques do not correct the failure. Do not attempt to lift until all failure and safety issues have been resolved.

In case of lift failure, please follow the procedures below to safely lower the user.

The Emergency Lowering Device is located at the top of the actuator shaft. It is intended for use if the actuator or electronics fail to operate while the patient is suspended in midair. The device consisting of a plastic collar ring that should be first pulled down and turned clock-wise continually until the patient has been lowered.



**NOTE:**  
THE EMERGENCY LOWERING DEVICE IS INTENDED FOR USE DURING LIFT FAILURE. THIS DEVICE WILL ALLOW LOWERING OF PATIENTS ONLY. PLEASE CONTACT YOUR DEALER IMMEDIATELY IN CASE OF FAILURE.

## WARRANTY POLICY

Bestcare offers a limited warranty on all patient lifts, slings and accessories to be free of defects in workmanship and product performance. This warranty extends only to the original purchaser and is non-transferrable. All warranty claims must be submitted by the authorized dealer or distributor who originally sold the product with proper proof of sale and serial number where applicable. Prior Return Authorization (RA) from Bestcare is required for all warranty replacements. Bestcare reserves the right to repair or replace only defective parts or accessories in lieu of a complete new patient lift. The repaired or replacement part shall be warranted for a period equal to the remainder of the warranty period of the defective part.

Bestcare does not provide advance replacements for warranty claims. For situations where an end user requires a replacement in advance and before a warranty item can be returned, dealer or distributor must purchase the replacement at full cost. All freight charges for the replacement are the sole responsibility of the dealer or distributor. When end user returns warranty item and item proves to be defective, Bestcare will issue full credit for the replacement less freight charges.

Product returned without RA number clearly marked on the package or product returned later than 30 days after authorization will be refused and returned at sender's expense. Final disposition of warranty claims will be determined at the sole discretion of Bestcare. Warranty claims will be denied for any of the following: product abuse or misuse, accidental or malicious damage, improper installation, product used with parts, components or accessories with quality or specifications incompatible with product, adulterated product, user neglect, failure to maintain and service product as specified in the owner's manual or care tag, serial number removed or defaced, or normal wear and tear.

Bestcare warrants the following products and components beginning from the purchase invoice date for the specified time period:

WARRANTY PERIOD	PRODUCT OR COMPONENT
Three (3) Years	Patient lift frame or spreader bar
Two (2) Years	Actuator, control box, pendant, charger, weigh scale, Stand Aids ( all components of STA400 & STA450), or casters excluding normal tread wear
One (1) Year	Battery or hydraulic pump
Six (6) Months	Reusable fabric slings

Bestcare Single Patient Specific slings are designed for limited use with one patient and may not be laundered. Bestcare will replace any disposable sling found to have a manufacturing defect. Normal wear and tear will not be covered under warranty.

This warranty expressly excludes wearable components including but not limited to foam parts and caster tread. Furthermore, this warranty is void and null for product that has not been purchased or paid for in full.

## RETURN GOODS POLICY

Patient lifts may not be returned unless the wrong lift is shipped in error by Bestcare or the lift is heavily damaged or defective out of the box. For all other items, purchaser may request a RA for purchased goods within thirty (30) days of purchase invoice date. All returns must be received by Bestcare no later than thirty (30) days after authorization or the RA will be voided. Return package must be clearly marked with the RA number or the package may be refused and returned at sender's expense. Returns are subject to a minimum restocking fee of 15% or more depending on the condition of the returned item. Patient lifts are subject to a minimum restocking fee of 25% or more. Please note that patient lifts being returned must be in the original carton with all parts, components and packing materials included. Failure to comply with this requirement will incur higher restocking fees or a rejection of the return. Slings, parts and accessories may only be returned if they have not been used. There are no exceptions to this provision.

All freight charges are the sole responsibility of purchaser when any of the following occurs: (i) ordering error where an incorrect item is shipped in accordance with purchase order, (ii) an order is cancelled while in transit or (iii) delivery is refused by customer.

Bestcare reserves the right to issue credit amounts based on strict adherence to this policy.

# Notes

# Bestcare

L.L.C.



Bestcare LLC  
2920 Pacific Drive  
Norcross, GA 30071

Ver 2019.02

[www.bestcarellc.com](http://www.bestcarellc.com) | © 2017 Bestcare LLC