



MADE IN THE USA

### Product Description:

- Protective Wear Organizer - 4"
- Holds flat pack or launderable gowns, three boxes of gloves, face masks in bulk, and a variety of medical supplies in built-in caddy
- ADA and CMS Wall Protrusion Compliant
- Face mask boxes may be deeper than 4"; if so, remove from box to place in dispenser
- Keyholes for wall mounting, or may be used with wall or door hanger
- Quartz Beige ABS Plastic

### Primary Area for Product Usage:

- Anywhere personal protection equipment is needed

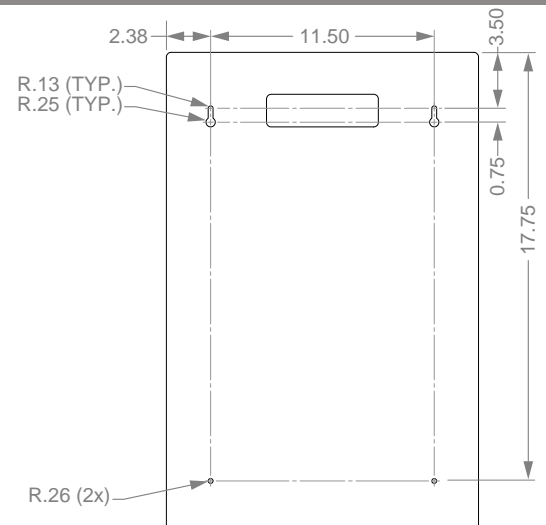
### Dispenses:

- Left: Gowns, aprons, or coveralls/jumpsuits no larger than 11.68"W x 15.40"H x 3.80"D (29.7 cm x 39.1 cm x 9.7 cm)
- Right: Item(s) no larger than 4.78"W x 7.88"H x 3.80"D (12.1 cm x 20.0 cm x 9.7 cm)
- Middle: Box(es) no larger than 7.50"W x 5.00"H x 3.90"D (19.1 cm x 12.7 cm x 9.7 cm)
- Bottom: Box(es) no larger than 5.53"W x 10.00"H x 3.80"D (14.0 cm x 5.4 cm x 9.7 cm)

### Product Specifications (overall external dimensions):

- 16.75"W x 25.63"H x 4.00"D (42.5 cm x 65.1 cm x 10.2 cm)
- 3.7 lbs (1.7 kg) - approximated

### Mounting Specifications:



### Related Products (each sold separately):

- MP-047: Sign Holder - Clip-On
- BOWMAN® Door and Wall Hangers: HH004-0412, MB-450, MB-500, MB-510, and MB-600



MP-047



HH004-0412

### Package Specifications:

- Package Quantity: 1 per case
- 18"L x 6"W x 29"H (45.7 cm x 15.2 cm x 73.7 cm)
- 10.0 lbs (4.5 kg) - approximated

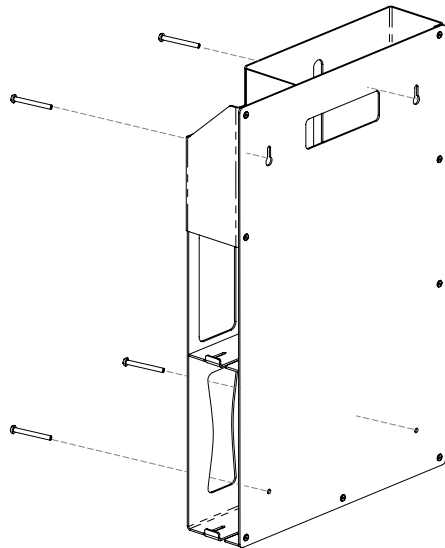




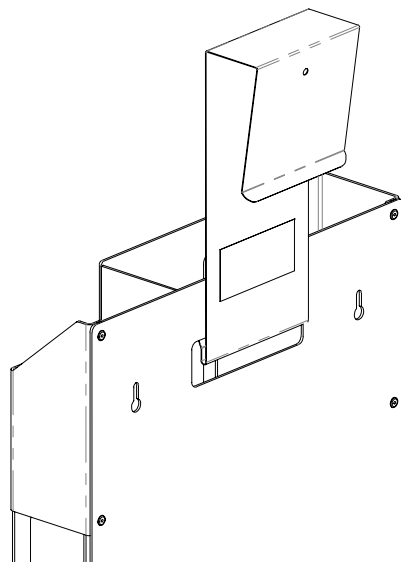
## Installation

Always mount dispensers securely *prior* to loading with product.

- Mount securely to a wall with screws approved and supplied by building maintenance.



- Dispenser can be mounted onto a BOWMAN® door or wall hanger through the cutout in the back.



### Parts included:

- Dispenser

### Tools Required:

- No tools required to assemble dispenser

## Care and Construction

ABS Plastic

### Material Characteristics

#### Designed for Long-Term, Heavy-Duty Applications

The combination of copolymers (Acrylonitrile, Butadiene, and Styrene) gives ABS an excellent combination of strength, rigidity, and toughness.

ABS is chemical, stress-crack resistant, dimensionally stable, and will hold up to long-term use. It possesses high strength and performance characteristics at a reasonable cost.

### Care and Cleaning

Use mild soap and water to clean. Petroleum-based oils, solvents, and paints should not be used.

Standard hospital cleaning supplies are approved for use on our ABS plastic products.