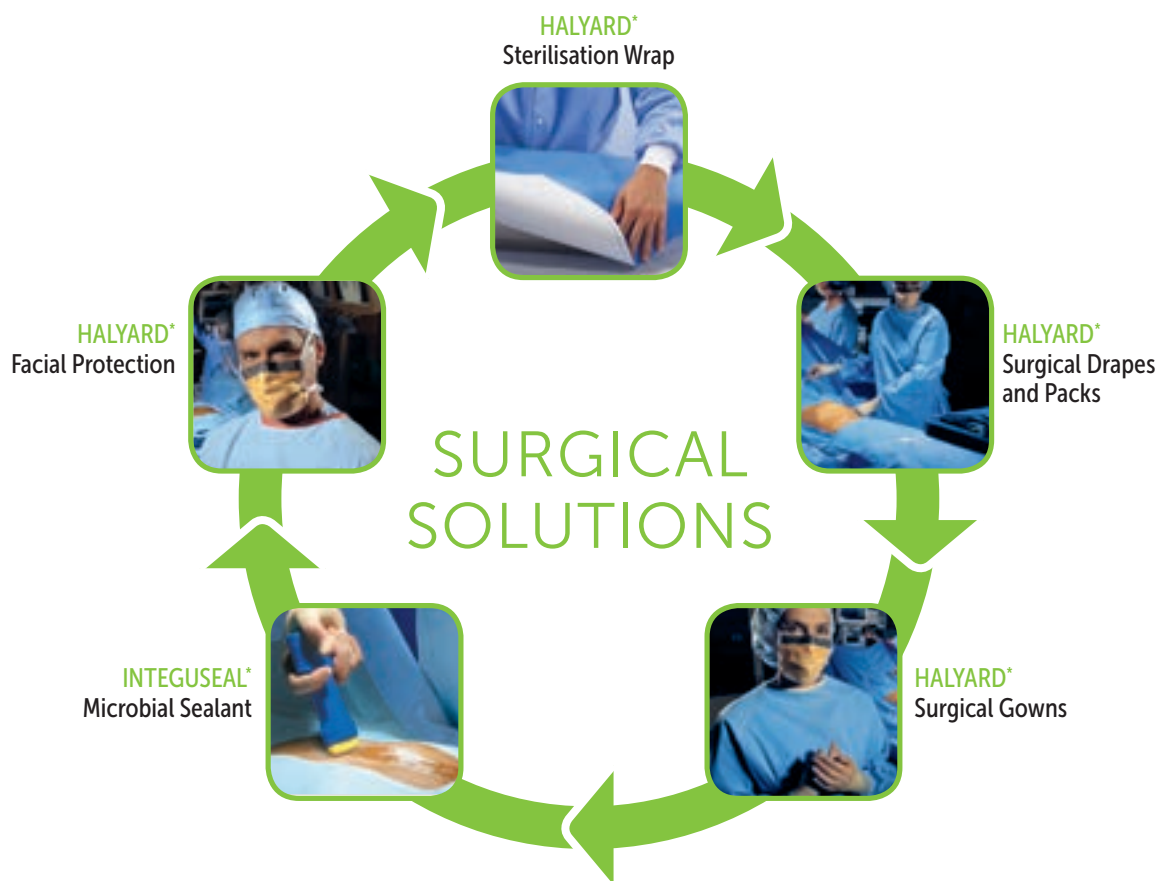


DEPEND ON HALYARD'S
EXPERTISE TO HELP
PREVENT INFECTIONS
IN THE OR



SOLUTIONS FOR SURGICAL SITE INFECTIONS

Halyard Health offers a comprehensive range of surgical solutions designed to help reduce surgical site infections ranging from Surgical Drapes & Gowns, Face Masks and Sterilisation Wrap to INTEGUSEAL[®] Microbial Sealant, a unique solution protecting against skin flora migration into the surgical incision.



DEPEND ON HALYARD HEALTH'S EXPERTISE TO HELP PREVENT INFECTIONS IN THE OR

When you choose HALYARD* Surgical Gowns, Drapes & Packs, you can be assured that you are selecting products that use innovative fabric technology and design to provide excellent strike-through resistance along with comfort.

Halyard is committed to providing quality products that help reduce the toll infections take on patients, clinicians and facilities, assisting you in delivering optimal patient care.

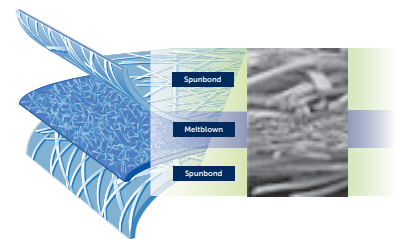
Because we are as serious as you are about preventing infection in the OR, we have expanded our surgical gown and drape portfolio into four performance levels, to bring you the widest choice of protection without compromise.

The products referenced in this catalogue do not contain natural rubber latex, nor is this material intentionally added during the manufacturing process.

ADVANCED PROTECTION THROUGH SUPERIOR SMS

Halyard offers a complete portfolio of Surgical Gowns, Drapes and Sterilisation Wrap based upon the HALYARD* SMS technology (Spunbond, Meltblown, Spunbond). SMS is made up of three layers of polypropylene:

- The Spunbond outer layers provide exceptional strength and durability
- The Meltblown middle layer provides an effective barrier to bacteria and liquids
- The material has a low lint level, reducing the risk of contamination in the OR



A WIDE PORTFOLIO OF GOWNS AND DRAPES DESIGNED TO OFFER THE RIGHT PROTECTION FOR THE DIFFERENT PROCEDURES

HALYARD BASICS*

Cost-effective solution for standard performance & protection

- For short duration, low fluid-intensive procedures
- For low risk, day & general surgery (minor procedures)

HALYARD BASICS* Surgical Gowns

- HALYARD BASICS* Standard gowns
- Standard SMS fabric

HALYARD BASICS* Surgical Drapes & Packs

- Flexible, easy-to-use designs
- Reinforcement

STANDARD (PLUS)

Best-value solution for enhanced performance & protection

- For low-to-moderate fluid-intensive procedures
- For low-to-moderate risk, general surgery

Standard (Plus) Surgical Gowns

- EVOLUTION* 4 Standard gowns
- ULTRA Standard gowns
- EVOLUTION* 4 & ULTRA enhanced SMS fabric

Standard (Plus) Surgical Drapes & Packs

- Widest selection for hundreds of different procedures
 - CONTROL* Plus Reinforcement
-

REINFORCED

Cost-effective solution for high performance & protection

- For more fluid-intensive procedures
- For moderate-to-high risk, specialized surgery

Reinforced Surgical Gowns

- ULTRA⁺ fabric-reinforced gowns
- ULTRA⁺ film-reinforced gowns

Reinforced Surgical Drapes & Packs

- Including ORTHOARTS⁺ and CVARTS⁺ drapes
- CONTROL⁺ Plus Reinforcement

PROTECTIVE

Solution for high performance & perfection

- For long duration, high fluid-intensive procedures
- For complex, high risk specialized surgery

Protective Surgical Gowns

- AERO BLUE⁺ Gowns
- Cool Shield Core Technology, Aero Vent back
- Soft fabric S/F/SMS

IMPERVIOUS

Best-in-class solution for the highest performance, protection & comfort

- For long duration, high fluid-intensive procedures
- For complex, high risk specialized surgery

Impervious Surgical Gowns

- MICROCOOL⁺ gowns
- "All-over" breathable impervious MICROCOOL⁺ SFS fabric
- Innovation, leadership in surgical fabrics

HALYARD⁺ CPTs ARE PROFESSIONALLY TAILORED TO FIT YOUR NEEDS¹

PRECISE

From fully customized trays to best value trays with functional equivalent components that meet your specifications. Based on your vision, our team can also help with tray standardization.

PROFESSIONAL

Assembled by CPT professionals at specialized CPT facilities, ensuring logical tray set-up and aseptic presentation in the OR.

PREFERRED

HALYARD⁺ Drapes and Gowns deliver the optimum balance of properties to keep your staff and patients protected in the OR:

- Fluid resistance
- Flame resistance
- Lint and abrasion resistance



¹. Not available to the UK market

THERE'S A HALYARD* STERILISATION WRAP FOR EVERY NEED

With HALYARD* Sequential, HALYARD ONE-STEP* and HALYARD* QUICK CHECK* Sterilisation Wrap, your surgical team can depend on consistent sterility maintenance and aseptic presentation for all your surgical instruments.

HALYARD* Sterilisation Wrap is a three-layer packaging material consisting of the unique SMS fabric and treated with the unique patented POWERGUARD* Technology, which protects your trays with a barrier exceeding 99.9%. The patented POWERGUARD* process infuses the wrap fabric with unique electric micro-fields surrounding the Meltblown fibres.

Every grade of HALYARD* Sterilisation Wrap features the patented "Daisy" bond pattern, so you will know at a glance that you've selected HALYARD* Sterilisation Wrap, the brand that delivers quality and protection, time after time.

The benefits of HALYARD* Sterilisation Wrap:

- High strength
- Low-lint
- EN ISO 11607 compliant
- Effective barrier
- Easy aseptic presentation
- Available in multiple strengths from H100 to H500 (the higher the number, the stronger the packaging)
- HALYARD* Sequential Sterilisation Wrap provides an excellent bacterial barrier adapted to the sequential wrapping techniques and assures an aseptic presentation
- HALYARD ONE-STEP* Sterilisation Wrap (simultaneous) features two layers of wrap thermally bonded along the edges for single-step wrapping, which results in 49% time saving
- HALYARD* QUICK CHECK* Sterilisation Wrap: features all the advantages of HALYARD ONE-STEP* plus the fact that it securely joins a blue wrap layer with a white layer, which makes it easier to detect if sterility has been breached

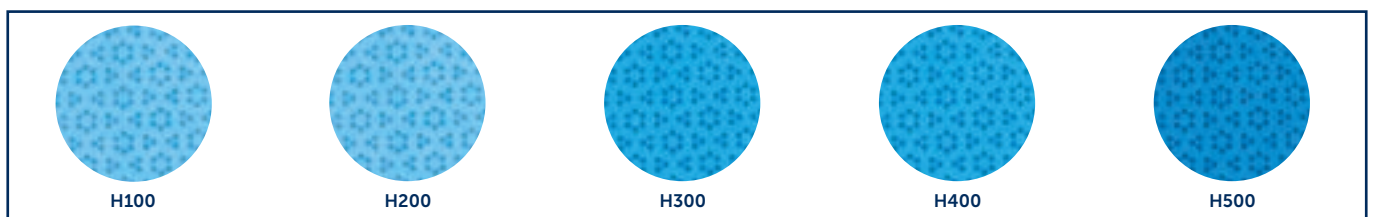


TABLE OF CONTENTS

GENERAL SURGERY	1
GENERAL SURGERY PACKS	1
GENERAL SURGERY DRAPES	14
FENESTRATED DRAPES	14
U-DRAPES	16
BAR DRAPES	17
BOTTOM DRAPES	18
SIDE DRAPES	19
TOP DRAPES	20
ABSORBENT UNDERLEG DRAPES	21
SINGLE DRAPES	21
UTILITY DRAPES	23
LAPAROTOMY DRAPES	25
BREAST/CHEST DRAPES	26
THYROID DRAPES	26
LAPAROSCOPY DRAPES	27
ORTHOPAEDICS	28
ORTHOPAEDIC PACKS	28
ORTHOPAEDIC DRAPES	40
ORTHOARTS* SPLIT / BAR DRAPES	40
IMPERVIOUS SPLIT DRAPES	40
EXTREMITY DRAPES	41
LOWER EXTREMITY DRAPES	41
UPPER EXTREMITY DRAPES	43
SHOULDER DRAPES	43
HAND DRAPES	44
HIP DRAPES	45
VERTICAL ISOLATION DRAPES	45
KNEE ARTHROSCOPY DRAPES	46
UNIVERSAL SPINE DRAPES	47
GYNAECOLOGY & OBSTETRICS	48
GYNAECOLOGY & OBSTETRICS PACKS	48
GYNAECOLOGY & OBSTETRICS DRAPES	54
GYNAECOLOGY/UROLOGY DRAPES	54
C-SECTION DRAPES	54
LITHOTOMY DRAPES	55

UROLOGY	56
UROLOGY PACKS	56
UROLOGY DRAPES	58
OPHTHALMOLOGY	59
OPHTHALMOLOGY PACKS	59
OPHTHALMOLOGY DRAPES	60
ENT	63
ENT PACKS	63
ENT DRAPES	65
ENT DRAPES	65
HEAD DRAPES	65
DENTAL DRAPES	65
NEUROLOGY	66
NEUROLOGY PACKS	66
CRANIOTOMY DRAPES	67
CARDIOVASCULAR & ANGIOGRAPHY	68
CARDIOVASCULAR & ANGIOGRAPHY PACKS	68
CARDIOVASCULAR & ANGIOGRAPHY DRAPES	72
CARDIOVASCULAR DRAPES	72
ANGIOGRAPHY DRAPES	74
CATHETER PLACEMENT	80
CATHETER PLACEMENT DRAPES	80
PAEDIATRICS	81
PAEDIATRICS PACKS	81
PAEDIATRICS DRAPES	85
FENESTRATED DRAPES	85
BREAST/CHEST DRAPES	86
LAPAROTOMY DRAPES	86
BABY BLANKETS	86
EQUIPMENT COVERS	87
EQUIPMENT COVERS	87
MAYO STAND COVERS	87
STOOL COVERS	87
COVER HOOD DRAPES	87
BACK TABLE COVERS	88

ACCESSORIES	89
<hr/>	
ACCESSORIES	89
UNDER BUTTOCKS DRAPES	89
PERINEAL COVER DRAPES	90
IMPERVIOUS STOCKINETTES	90
ARMBOARD COVERS	91
LEGGINGS	91
TOWELS	91
TAPE STRIPS	92
SLEEVES	92
POUCHES	92
FOOT COVERS	93
MEDISHEETS	93
<hr/>	
HALYARD BASICS*	94
<hr/>	
HALYARD BASICS* SURGICAL GOWNS	94
<hr/>	
EVOLUTION* 4	95
<hr/>	
EVOLUTION* 4 SURGICAL GOWNS	95
<hr/>	
ULTRA	97
<hr/>	
ULTRA SURGICAL GOWNS	97
<hr/>	
AERO BLUE*	99
<hr/>	
AERO BLUE* SURGICAL GOWNS	99
<hr/>	
MICROCOOL*	100
<hr/>	
MICROCOOL* SURGICAL GOWNS	100
<hr/>	
SPECIALTY	101
<hr/>	
SPECIALTY SURGICAL GOWNS	101
<hr/>	
INTEGUSEAL* MICROBIAL SEALANT	102
<hr/>	
MICROBIAL SEALANTS	102
<hr/>	
STERILISATION WRAP	103
<hr/>	
STERILISATION WRAP	103
HALYARD* QUICK CHECK* STERILISATION WRAP	103
HALYARD ONE-STEP* STERILISATION WRAP	105
HALYARD* SEQUENTIAL STERILISATION WRAP	108
<hr/>	
OTHER STERILISATION PRODUCTS	111
<hr/>	

GENERAL SURGERY

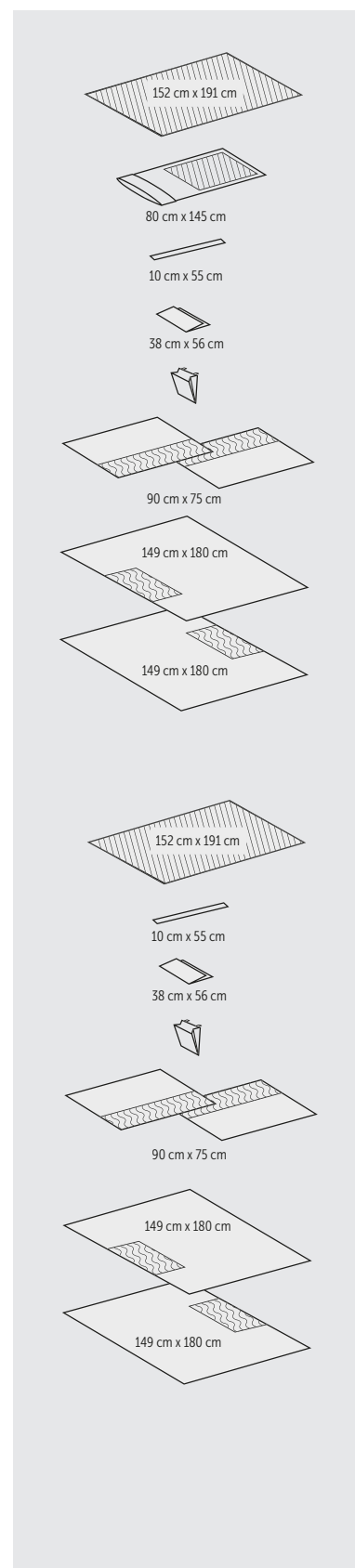
GENERAL SURGERY PACKS

UNIVERSAL PACK, SMALL

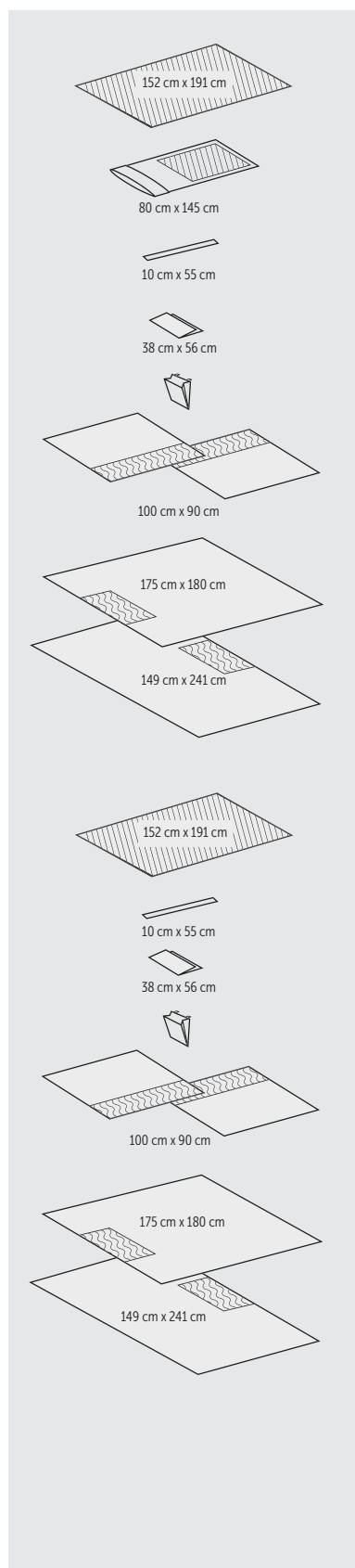
CODE	DESCRIPTION		ITEMS/CASE
88762	Universal Pack, Small, incl. Mayo Stand Cover		11
STERILE	NON-STERILE	CONTENTS	
-	-	1 Sterilisation Wrap 96 x 96 cm	
89603	79603	1 Mayo Stand Cover 80 x 145 cm	
42222	42428	1 Back Table Cover, Reinforced 152 x 191 cm	
89053	79053	1 Tape Strip 10 x 55 cm	
89701	79720	1 Absorbent Towel 38 x 56 cm	
-	-	1 Suture Bag	
-	-	2 Side Drapes 90 x 75 cm: • Positioning Tape, 2.5 cm width • CONTROL ⁺ Fabric Reinforcement	
-	79214	1 Bottom Drape 149 x 180 cm: • Positioning Tape, 2.5 cm width • CONTROL ⁺ Fabric Reinforcement	
-	79215	1 Top Drape 149 x 180 cm: • Positioning Tape, 2.5 cm width • CONTROL ⁺ Fabric Reinforcement	

UNIVERSAL PACK, SMALL

CODE	DESCRIPTION		ITEMS/CASE
88763	Universal Pack, Small, excl. Mayo Stand Cover		11
STERILE	NON-STERILE	CONTENTS	
-	-	1 Sterilisation Wrap 96 x 96 cm	
42222	42428	1 Back Table Cover, Reinforced 152 x 191 cm	
89053	79053	1 Tape Strip 10 x 55 cm	
89701	79720	1 Absorbent Towel 38 x 56 cm	
-	-	1 Suture Bag	
-	-	2 Side Drapes 90 x 75 cm: • Positioning Tape, 2.5 cm width • CONTROL ⁺ Fabric Reinforcement	
-	79214	1 Bottom Drape 149 x 180 cm: • Positioning Tape, 2.5 cm width • CONTROL ⁺ Fabric Reinforcement	
-	79215	1 Top Drape 149 x 180 cm: • Positioning Tape, 2.5 cm width • CONTROL ⁺ Fabric Reinforcement	



All codes in **bold** indicate a sterile product.



UNIVERSAL PACK, LARGE

CODE	DESCRIPTION		ITEMS/CASE
88764	Universal Pack, Large, incl. Mayo Stand Cover		10
	STERILE	NON-STERILE	CONTENTS
	-	-	1 Sterilisation Wrap 96 x 96 cm
89603		79603	1 Mayo Stand Cover 80 x 145 cm
42222		42428	1 Back Table Cover, Reinforced 152 x 191 cm
89053		79053	1 Tape Strip 10 x 55 cm
89701		79720	1 Absorbent Towel 38 x 56 cm
	-	-	1 Suture Bag
	-	79216	2 Side Drapes 100 x 90 cm: • Positioning Tape • CONTROL ⁺ Fabric Reinforcement
	-	79217	1 Bottom Drape 175 x 180 cm: • Positioning Tape • CONTROL ⁺ Fabric Reinforcement
	-	79218	1 Top Drape 149 x 241 cm: • Positioning Tape • CONTROL ⁺ Fabric Reinforcement

UNIVERSAL PACK, LARGE

CODE	DESCRIPTION		ITEMS/CASE
88765	Universal Pack, Large, excl. Mayo Stand Cover		10
	STERILE	NON-STERILE	CONTENTS
	-	-	1 Sterilisation Wrap 96 x 96 cm
42222		42428	1 Back Table Cover, Reinforced 152 x 191 cm
89053		79053	1 Tape Strip 10 x 55 cm
89701		79720	1 Absorbent Towel 38 x 56 cm
	-	-	1 Suture Bag
	-	79216	2 Side Drapes 100 x 90 cm: • Positioning Tape • CONTROL ⁺ Fabric Reinforcement
	-	79217	1 Bottom Drape 175 x 180 cm: • Positioning Tape • CONTROL ⁺ Fabric Reinforcement
	-	79218	1 Top Drape 149 x 241 cm: • Positioning Tape • CONTROL ⁺ Fabric Reinforcement

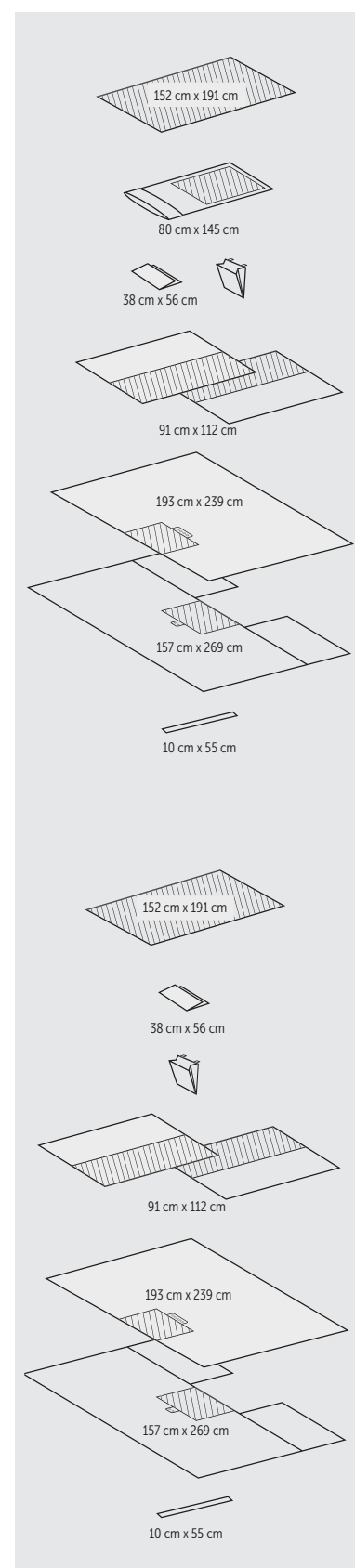
All codes in **bold** indicate a sterile product.

UNIVERSAL PACK PLUS

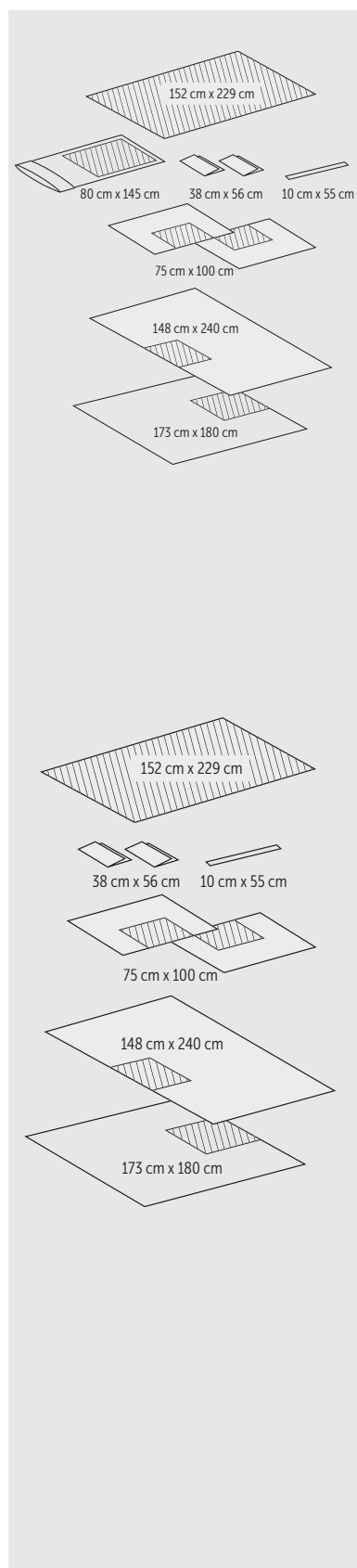
CODE	DESCRIPTION		ITEMS/CASE
88760	Universal Pack Plus, incl. Mayo Stand Cover		8
STERILE	NON-STERILE	CONTENTS	
-	-	1 Sterilisation Wrap 89 x 89 cm	
42222	42428	1 Back Table Cover, Reinforced 152 x 191 cm	
89603	79603	1 Mayo Stand Cover 80 x 145 cm	
89053	79053	1 Tape Strip 10 x 55 cm	
89701	79720	1 Absorbent Towel 38 x 56 cm	
-	-	1 Suture Bag	
-	76365	2 Side Drapes 91 x 112 cm: <ul style="list-style-type: none"> • Positioning Tape • CONTROL⁺ Plus Fabric Reinforcement 	
-	78961	1 Bottom Drape 193 x 239 cm: <ul style="list-style-type: none"> • Positioning Tape • CONTROL⁺ Plus Fabric Reinforcement • Tube Holders 	
-	76363	1 Bar Drape 157 x 269 cm: <ul style="list-style-type: none"> • Armboard Covers • Positioning Tape • CONTROL⁺ Plus Fabric Reinforcement • Tube Holders 	

UNIVERSAL PACK PLUS

CODE	DESCRIPTION		ITEMS/CASE
88767	Universal Pack Plus, excl. Mayo Stand Cover		9
STERILE	NON-STERILE	CONTENTS	
-	-	1 Sterilisation Wrap 89 x 89 cm	
42222	42428	1 Back Table Cover, Reinforced 152 x 191 cm	
89053	79053	1 Tape Strip 10 x 55 cm	
89701	79720	1 Absorbent Towel 38 x 56 cm	
-	-	1 Suture Bag	
-	76365	2 Side Drapes 91 x 112 cm: <ul style="list-style-type: none"> • Positioning Tape • CONTROL⁺ Plus Fabric Reinforcement 	
-	78961	1 Bottom Drape 193 x 239 cm: <ul style="list-style-type: none"> • Positioning Tape • CONTROL⁺ Plus Fabric Reinforcement • Tube Holders 	
-	76363	1 Bar Drape 157 x 269 cm: <ul style="list-style-type: none"> • Armboard Covers • Positioning Tape • CONTROL⁺ Plus Fabric Reinforcement • Tube Holders 	



All codes in **bold** indicate a sterile product.



UNIVERSAL PACK

CODE	DESCRIPTION	ITEMS/CASE
88100	Universal Pack, incl. Mayo Stand Cover	12
STERILE	NON-STERILE	CONTENTS
42224	42451	1 Back Table Cover, Reinforced 152 x 229 cm
89603	79603	1 Mayo Stand Cover 80 x 145 cm
89053	79053	1 Tape Strip 10 x 55 cm
89701	79720	2 Absorbent Towels 38 x 56 cm
-	79012	2 Side Drapes 75 x 100 cm: <ul style="list-style-type: none"> • Positioning Tape • CONTROL⁺ Plus Fabric Reinforcement
-	79011	1 Bottom Drape 173 x 180 cm: <ul style="list-style-type: none"> • Positioning Tape • CONTROL⁺ Plus Fabric Reinforcement
-	79010	1 Top Drape 148 x 240 cm: <ul style="list-style-type: none"> • Positioning Tape • CONTROL⁺ Plus Fabric Reinforcement

UNIVERSAL PACK

CODE	DESCRIPTION	ITEMS/CASE
88103	Universal Pack, excl. Mayo Stand Cover	12
STERILE	NON-STERILE	CONTENTS
-	-	1 Sterilisation Wrap 96 x 96 cm
42224	42451	1 Back Table Cover, Reinforced 152 x 229 cm
89053	79053	1 Tape Strip 10 x 55 cm
89701	79720	2 Absorbent Towels 38 x 56 cm
-	79012	2 Side Drapes 75 x 100 cm: <ul style="list-style-type: none"> • Positioning Tape • CONTROL⁺ Plus Fabric Reinforcement
-	79011	1 Bottom Drape 173 x 180 cm: <ul style="list-style-type: none"> • Positioning Tape • CONTROL⁺ Plus Fabric Reinforcement
-	79010	1 Top Drape 148 x 240 cm: <ul style="list-style-type: none"> • Positioning Tape • CONTROL⁺ Plus Fabric Reinforcement

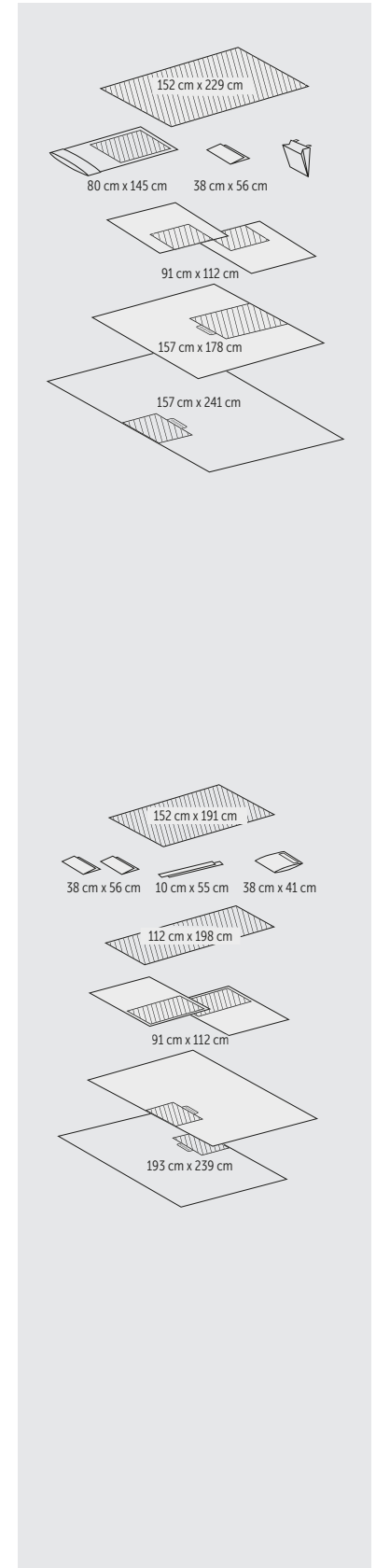
All codes in **bold** indicate a sterile product.

UNIVERSAL PACK IV

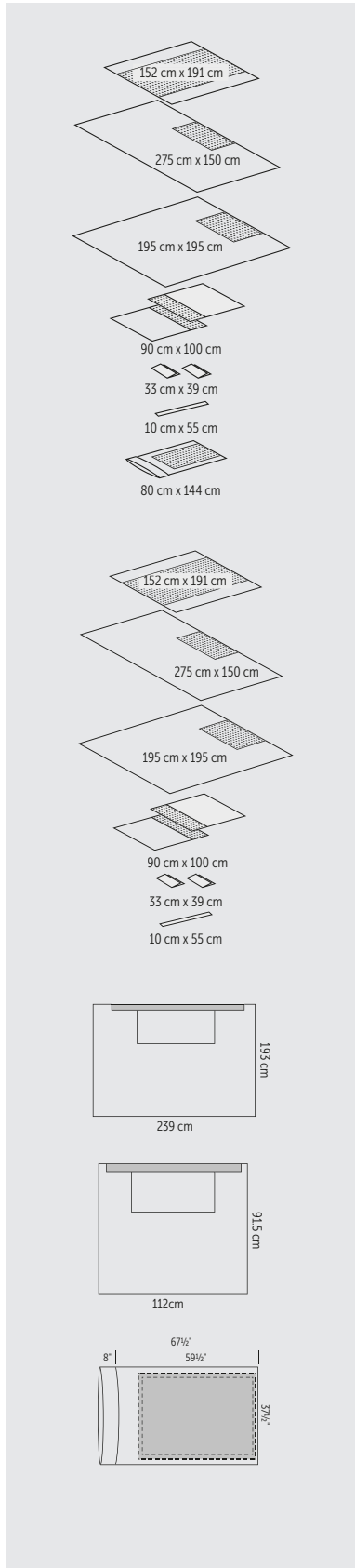
CODE	DESCRIPTION		ITEMS/CASE
7772	Universal Pack IV, incl. Mayo Stand Cover		8
STERILE	NON-STERILE	CONTENTS	
-	-	1 Sterilisation Wrap 89 x 89 cm	
-	42451	1 Back Table Cover, Reinforced 152 x 229 cm	
89603	79603	1 Mayo Stand Cover 80 x 145 cm	
89701	79720	1 Absorbent Towel 38 x 56 cm	
-	-	1 Suture Bag	
-	76365	2 Side Drapes 91 x 112 cm: <ul style="list-style-type: none"> Positioning Tape CONTROL⁺ Plus Fabric Reinforcement 	
-	76366	1 Bottom Drape 157 x 178 cm: <ul style="list-style-type: none"> Positioning Tape CONTROL⁺ Plus Fabric Reinforcement Tube Holders 	
-	76367	1 Top Drape 157 x 241 cm: <ul style="list-style-type: none"> Positioning Tape CONTROL⁺ Plus Fabric Reinforcement 	

UNIVERSAL PACK XI

CODE	DESCRIPTION		ITEMS/CASE
77880	Universal Pack XI, excl. Mayo Stand Cover		5
STERILE	NON-STERILE	CONTENTS	
-	-	1 Sterilisation Wrap 96 x 96 cm	
42222	42428	1 Back Table Cover, Reinforced 152 x 191 cm	
89701	79720	2 Absorbent Towels 38 x 56 cm	
89053	79053	2 Tape Strips 10 x 55 cm	
89945	79945	1 Diathermy Pouch 38 x 41 cm	
-	42447	1 Back Table Cover, Reinforced 112 x 198 cm	
-	76365	2 Side Drapes 91 x 112 cm: <ul style="list-style-type: none"> Positioning Tape CONTROL⁺ Plus Fabric Reinforcement 	
-	78961	1 Bottom Drape 193 x 239 cm: <ul style="list-style-type: none"> Positioning Tape CONTROL⁺ Plus Fabric Reinforcement Tube Holders 	
-	-	1 Top Drape 193 x 239 cm: <ul style="list-style-type: none"> Positioning Tape CONTROL⁺ Plus Fabric Reinforcement Tube Holders 	



All codes in **bold** indicate a sterile product.



HALYARD BASICS* UNIVERSAL PACK I

CODE	DESCRIPTION		ITEMS/CASE
88900	HALYARD BASICS* Universal Pack I, incl. Mayo Stand Cover		5
	STERILE	NON-STERILE	CONTENTS
88673		78669	1 Back Table Cover, Zone Reinforced 152 x 191 cm
88672		-	1 Mayo Stand Cover, Zone Reinforced 80 x 144 cm
-		79790	1 Top Drape 275 x 150 cm
-		79787	1 Bottom Drape 195 x 195 cm
-		-	2 Side Drapes 90 x 100 cm
-		-	1 Tape Strip 10 x 55 cm
-		-	2 Absorbent Towels 33 x 39 cm

HALYARD BASICS* UNIVERSAL PACK II

CODE	DESCRIPTION		ITEMS/CASE
88901	HALYARD BASICS* Universal Pack II, excl. Mayo Stand Cover		5
	STERILE	NON-STERILE	CONTENTS
88673		78669	1 Back Table Cover, Zone Reinforced 152 x 191 cm
-		79790	1 Top Drape 275 x 150 cm
-		79787	1 Bottom Drape 195 x 195 cm
-		-	2 Side Drapes 90 x 100 cm
-		-	1 Tape Strip 10 x 55 cm
-		-	2 Absorbent Towels 33 x 39 cm

UNIVERSAL PACK, INCL. MAYO STAND COVER

CODE	DESCRIPTION		ITEMS/CASE
K887603	Universal Pack, incl. Mayo Stand Cover		54
	STERILE	NON-STERILE	CONTENTS
-		-	1 Mayo Stand Cover, 80 x 145 cm
-		-	1 Back Table Cover, 152 x 190 cm
-		-	2 Side Drapes 91 x 115 cm
			<ul style="list-style-type: none"> • Positioning Tape • CONTROL* Fabric Reinforcement 40.5 x 61 cm
-		-	2 Surgical Drapes 193 x 239 cm
			<ul style="list-style-type: none"> • Positioning Tape • CONTROL* Fabric Reinforcement 61 x 81 cm

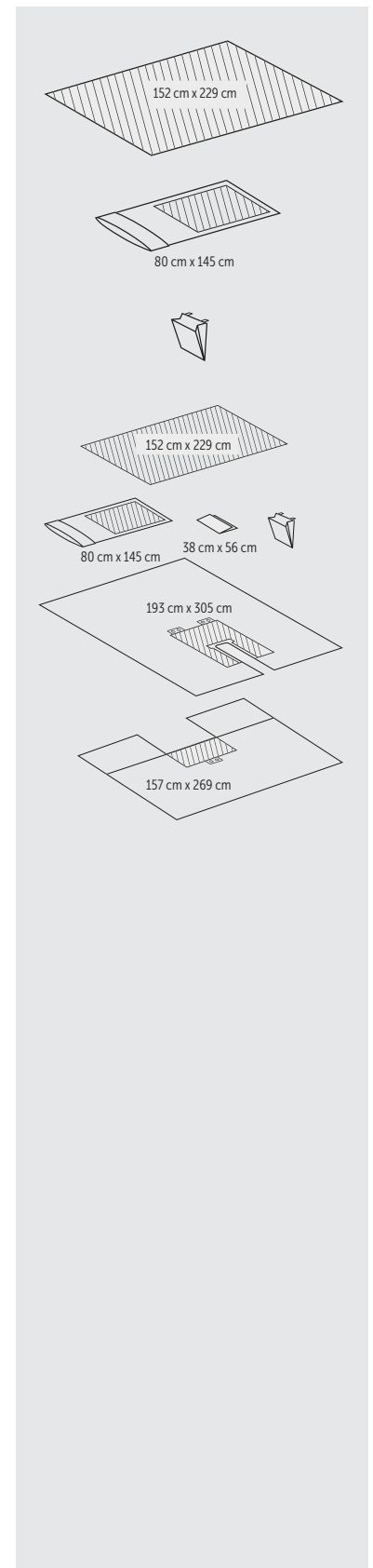
All codes in **bold** indicate a sterile product.

BASIC PACK VIII

CODE	DESCRIPTION	ITEMS/CASE
88113	Basic Pack VIII	24
STERILE	NON-STERILE	CONTENTS
42224	42451	1 Back Table Cover, Reinforced 152 x 229 cm
89603	79603	1 Mayo Stand Cover 80 x 145 cm
-	-	1 Suture Bag

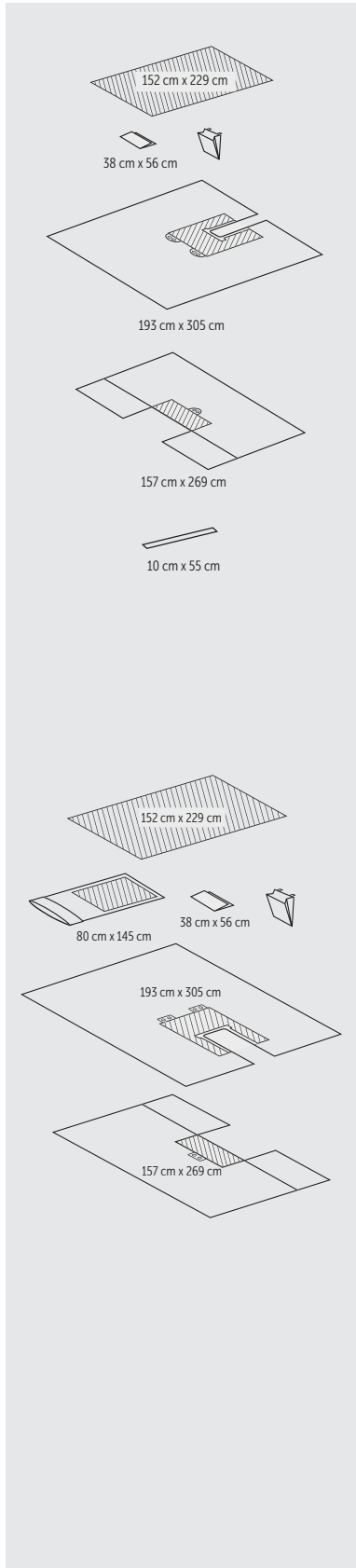
U-BAR* PACK VI

CODE	DESCRIPTION	ITEMS/CASE
77794	U-BAR* Pack VI	9
STERILE	NON-STERILE	CONTENTS
-	-	1 Sterilisation Wrap 96 x 96 cm
-	42451	1 Back Table Cover, Reinforced 152 x 229 cm
89603	79603	1 Mayo Stand Cover 80 x 145 cm
89701	79720	1 Absorbent Towel 38 x 56 cm
-	-	1 Suture Bag
-	76361	1 U-Drape 193 x 305 cm: <ul style="list-style-type: none"> • Split 10 x 101 cm • Positioning Tape • CONTROL* Plus Fabric Reinforcement • Tube Holders
-	76363	1 Bar Drape 157 x 269 cm: <ul style="list-style-type: none"> • Armboard Covers • Positioning Tape • CONTROL* Plus Fabric Reinforcement • Tube Holders



All codes in **bold** indicate a sterile product.

U-BAR* PACK



CODE	DESCRIPTION		ITEMS/CASE
77853	U-BAR* Pack		10
	STERILE	NON-STERILE	CONTENTS
-	-	-	1 Sterilisation Wrap 89 x 89 cm
-	-	42451	1 Back Table Cover, Reinforced 152 x 229 cm
89701	-	79720	1 Absorbent Towel 38 x 56 cm
-	-	-	1 Suture Bag
-	-	76361	1 U-Drape 193 x 305 cm: <ul style="list-style-type: none"> • Split 10 x 101 cm • Positioning Tape • CONTROL* Plus Fabric Reinforcement • Tube Holders
-	-	76363	1 Bar Drape 157 x 269 cm: <ul style="list-style-type: none"> • Armboard Covers • Positioning Tape • CONTROL* Plus Fabric Reinforcement • Tube Holders
89053	-	79053	1 Tape Strip 10 x 55 cm

U-BAR* PACK VII

CODE	DESCRIPTION		ITEMS/CASE
77769	U-BAR* Pack VII		10
	STERILE	NON-STERILE	CONTENTS
-	-	-	1 Sterilisation Wrap 89 x 89 cm
-	-	42451	1 Back Table Cover, Reinforced 152 x 229 cm
89603	-	79603	1 Mayo Stand Cover 80 x 145 cm
89701	-	79720	1 Absorbent Towel 38 x 56 cm
-	-	-	1 Suture Bag
-	-	76364	1 Breast/Chest U-Drape 193 x 305 cm: <ul style="list-style-type: none"> • Split 30 x 76 cm • Positioning Tape • CONTROL* Plus Fabric Reinforcement • Tube Holders
-	-	76363	1 Bar Drape 157 x 269 cm: <ul style="list-style-type: none"> • Armboard Covers • Positioning Tape • CONTROL* Plus Fabric Reinforcement • Tube Holders

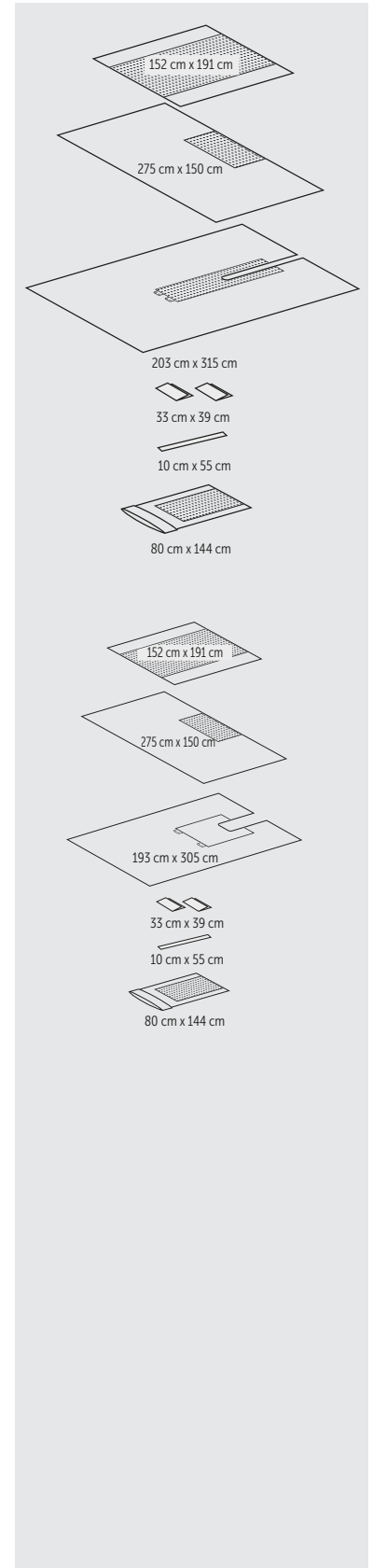
All codes in **bold** indicate a sterile product.

HALYARD BASICS* U-BAR* PACK I

CODE	DESCRIPTION		ITEMS/CASE
88902	HALYARD BASICS* U-BAR* Pack I		10
STERILE	NON-STERILE	CONTENTS	
88673	78669	1 Back Table Cover, Zone Reinforced 152 x 191 cm	
88672	-	1 Mayo Stand Cover, Zone Reinforced 80 x 144 cm	
-	79790	1 Top Drape 275 x 150 cm	
-	79532	1 U-Drape 203 x 315 cm: • Split 10 x 112 cm	
-	-	1 Tape Strip 10 x 55 cm	
-	-	2 Absorbent Towels 33 x 39 cm	

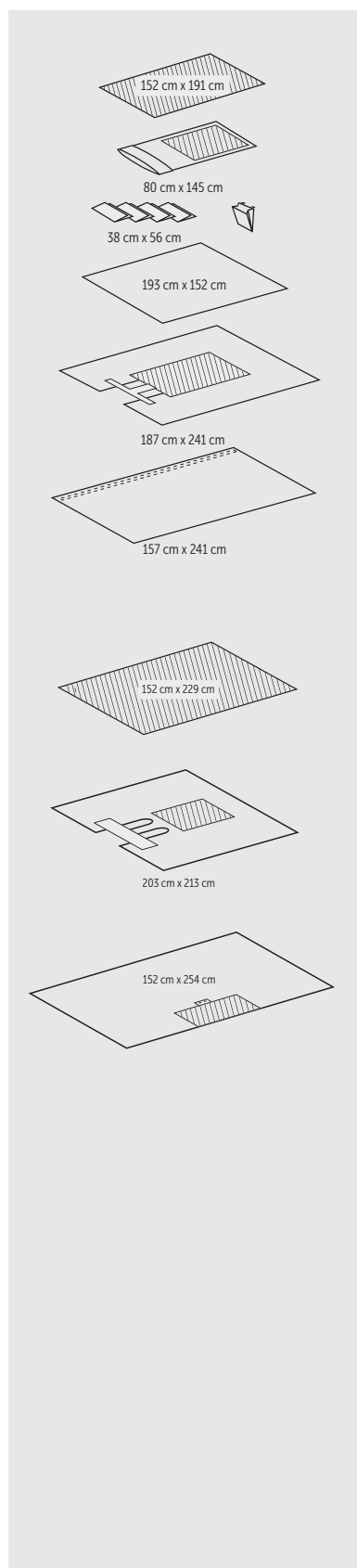
HALYARD BASICS* U-BAR* PACK III

CODE	DESCRIPTION		ITEMS/CASE
88904	HALYARD BASICS* U-BAR* Pack III		10
STERILE	NON-STERILE	CONTENTS	
88673	78669	1 Back Table Cover, Zone Reinforced 152 x 191 cm	
88672	-	1 Mayo Stand Cover, Zone Reinforced 80 x 144 cm	
-	79790	1 Top Drape 275 x 150 cm	
-	-	1 Breast and Chest U-Drape 193 x 305 cm: • Split 30 x 76 cm	
-	-	1 Tape Strip 10 x 55 cm	
-	-	2 Absorbent Towels 33 x 39 cm	



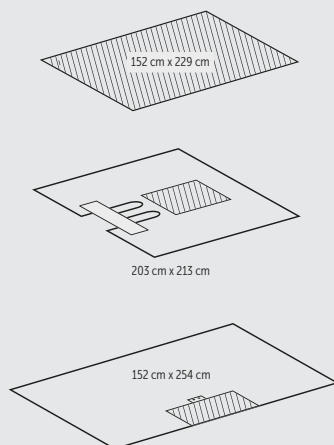
All codes in **bold** indicate a sterile product.

VEIN STRIPPING PACK



CODE	DESCRIPTION		ITEMS/CASE
59709	Vein Stripping Pack		5
	STERILE	NON-STERILE	CONTENTS
	42222	42428	1 Back Table Cover, Reinforced 152 x 191 cm
	89603	79603	1 Mayo Stand Cover 80 x 145 cm
	89701	79720	4 Absorbent Towels 38 x 56 cm
	-	-	1 Suture Bag
	89121	79122	1 Large Drape 193 x 152 cm
	-	76356	1 Perineal Drape 187 x 241 cm: <ul style="list-style-type: none"> • Split 44 x 95 cm • Positioning Tape • CONTROL⁺ Plus Fabric Reinforcement
	76291	76492	1 Drape with Tape 157 x 241 cm

BILATERAL VEIN STRIPPING PACK



CODE	DESCRIPTION		ITEMS/CASE
77780	Bilateral Vein Stripping Pack		12
	STERILE	NON-STERILE	CONTENTS
	-	-	1 Sterilisation Wrap 89 x 89 cm
	-	42451	1 Back Table Cover, Reinforced 152 x 229 cm
	89381	79360	1 Ortho Bar Drape 152 x 254 cm <ul style="list-style-type: none"> • CONTROL⁺ Plus Fabric Reinforcement • Tube Holders
	-	79453	1 Perineal Underleg Drape 203 x 213 cm <ul style="list-style-type: none"> • CONTROL⁺ Plus Fabric Reinforcement • Impermeable PE-film • Impermeable Perineal Cover • Umbilical Cover • Positioning Tape

All codes in **bold** indicate a sterile product.

SMALL PROCEDURE PACK II

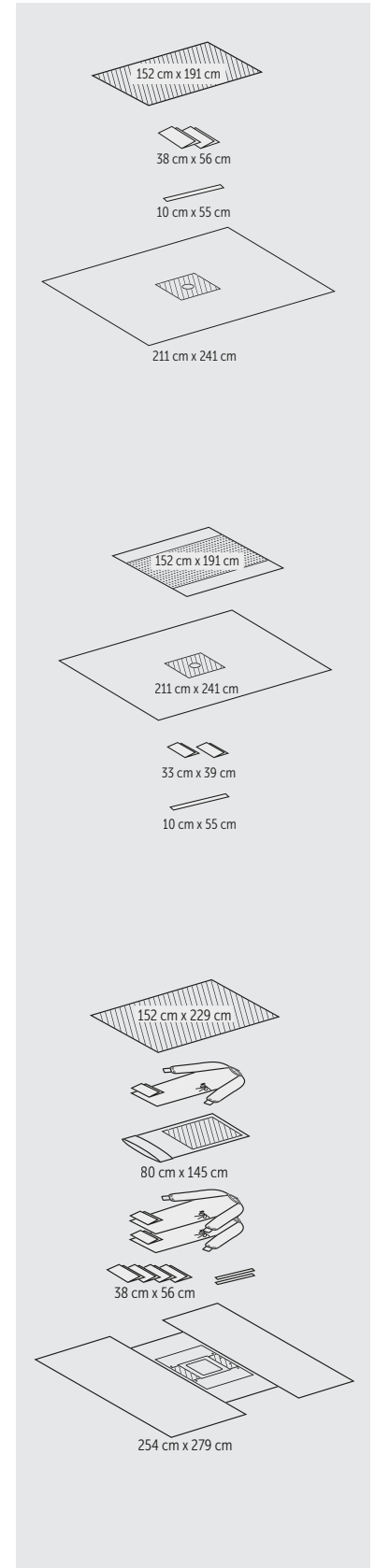
CODE	DESCRIPTION		ITEMS/CASE
77717	Small Procedure Pack II		10
STERILE	NON-STERILE	CONTENTS	
-	-	1 Sterilisation Wrap 89 x 89 cm	
42222	42428	1 Back Table Cover, Reinforced 152 x 191 cm	
-	-	1 Fenestrated Drape 211 x 241 cm: <ul style="list-style-type: none"> • Circular Fenestration 12 cm, centered • CONTROL⁺ Plus Fabric Reinforcement 	
89701	79720	2 Absorbent Towels 38 x 56 cm	
89053	79053	1 Tape Strip 10 x 55 cm	

HALYARD BASICS* SMALL PROCEDURE PACK II

CODE	DESCRIPTION		ITEMS/CASE
89686	HALYARD BASICS* Small Procedure Pack II		10
STERILE	NON-STERILE	CONTENTS	
88673	78669	1 Back Table Cover, Zone Reinforced 152 x 191 cm	
-	79745	1 Fenestrated Drape 211 x 241 cm: <ul style="list-style-type: none"> • Circular Fenestration 12 cm, centered • Absorbent Reinforcement 	
-	-	1 Tape Strip 10 x 55 cm	
-	-	2 Absorbent Towels 33 x 39 cm	

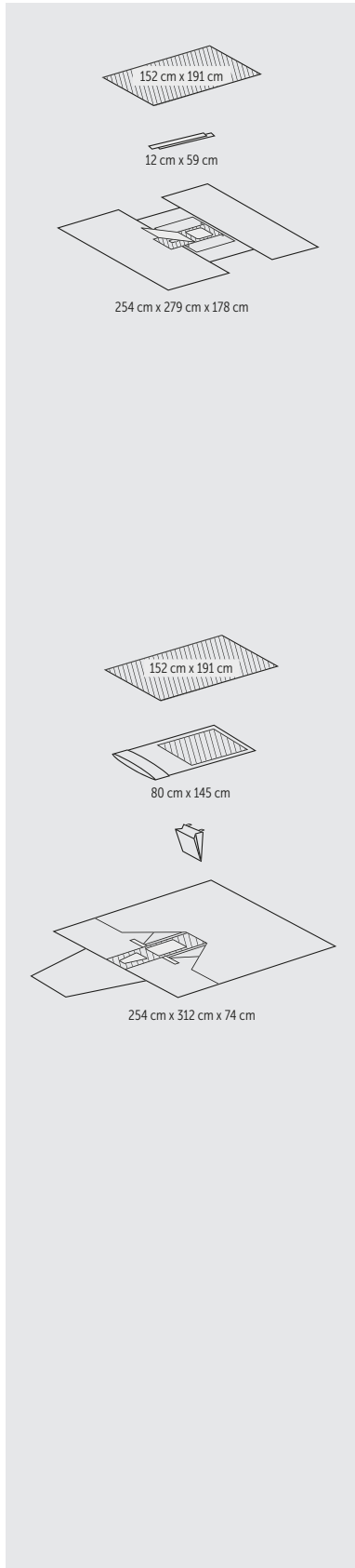
LAPAROSCOPY PACK

CODE	DESCRIPTION		ITEMS/CASE
76216	Laparoscopy pack		6
STERILE	NON-STERILE	CONTENTS	
-	-	1 Sterilisation Wrap 63 x 63 cm	
42224	42451	1 Back Table Cover, Reinforced 152 x 229 cm	
89603	79603	1 Mayo Stand Cover 80 x 145 cm	
90013	79973	3 Surgical Gowns, Large, X-long	
89701	79720	7 Absorbent Towels 38 x 56 cm	
-	70990	2 Iso-Seal Tape Strips 12 x 59 cm	
-	76374	1 Laparoscopy Drape with Attached Leggings 254 x 177 x 279 cm <ul style="list-style-type: none"> • 2 Pockets 27 x 71 cm • Abdominal Fenestration 30 x 33 cm • Positioning Tape 	



All codes in **bold** indicate a sterile product.

UNIVERSAL LAPAROSCOPY / PELVISCOPY PACK



CODE	DESCRIPTION		ITEMS/CASE
76263	Universal Laparoscopy / Pelviscopy Pack		8
	STERILE	NON-STERILE	CONTENTS
-	-	-	1 Sterilisation Wrap 89 x 89 cm
42222	42428	-	1 Back Table Cover, Reinforced 152 x 191 cm
-	-	76377	1 Laparoscopy Drape with Attached Leggings 254 x 279 x 178 cm: <ul style="list-style-type: none"> • Abdominal Fenestration (30 x 33 cm) with 5 cm Tape Width • Perineal Fenestration (22 x 10 cm) with 2.5 cm Tape Width • CONTROL* Plus Fabric Reinforcement • With Flap over both Fenestrations
-	-	-	2 Iso-Seal Tape Strips 12 x 59 cm

LAPAROSCOPY PELVISCOPY PACK V

CODE	DESCRIPTION		ITEMS/CASE
7792	Laparoscopy Pelviscopy Pack V		6
	STERILE	NON-STERILE	CONTENTS
-	-	-	1 Sterilisation Wrap 89 x 89 cm
42222	42428	-	1 Back Table Cover, Reinforced 152 x 191 cm
89603	79603	-	1 Mayo Stand Cover 80 x 145 cm
-	-	-	1 Suture Bag
-	-	76380	1 Laparoscopy Drape 254 x 312 x 74 cm, with Attached Leggings: <ul style="list-style-type: none"> • 23 x 28 cm Abdominal Fenestration • 7.6 x 18 cm Trapezoidal Perineal Fenestration with Flap • Positioning Tape on both Fenestrations • Tube Holders • CONTROL* Fabric Reinforcement

All codes in **bold** indicate a sterile product.

LAPAROSCOPY PELVICOPY PACK

CODE	DESCRIPTION		ITEMS/CASE
76218	Laparoscopy Pelviscopy Pack		4
STERILE	NON-STERILE	CONTENTS	
-	-	1 Sterilisation Wrap 63 x 63 cm	
42224	42451	1 Back Table cover, Reinforced 152 x 229 cm	
89603	79603	1 Mayo Stand Cover 80 x 145 cm	
90013	79973	3 Surgical gowns, Large, X-long	
89701	79720	7 Absorbent Towels 38 x 56 cm	
-	70990	2 Iso-Seal Tape Strips 12 x 59 cm	
-	76377	1 Laparoscopy Drape with Attached Leggings 254 x 177 x 279 cm: <ul style="list-style-type: none"> • Abdominal Fenestration 30 x 33 cm • Perineal Fenestration 22 x 10 cm • Flap to cover both fenestrations • 2 Pockets 27 x 58 cm • Positioning Tape 	

SMALL SURGICAL DRAPE PACK

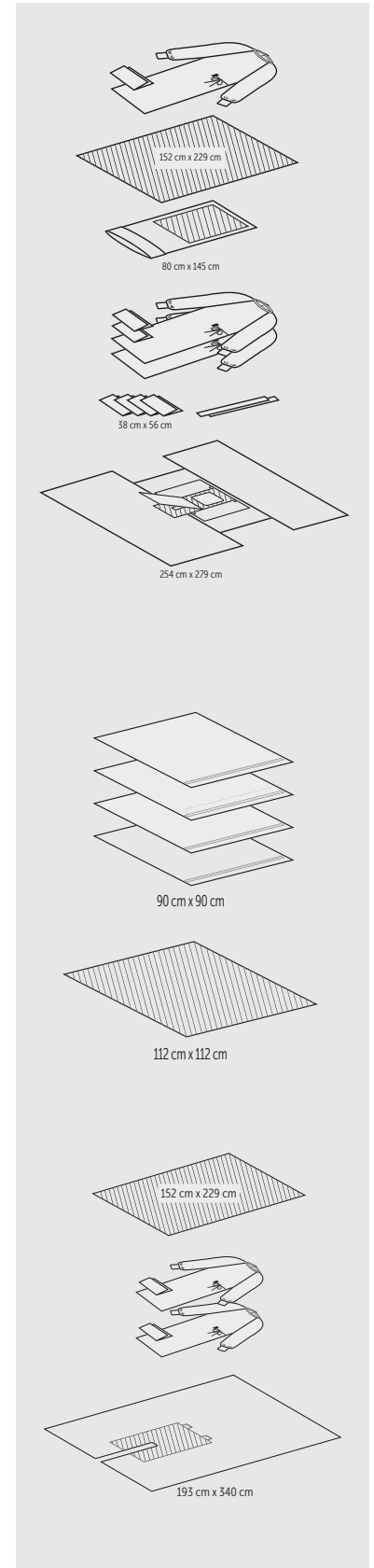
CODE	DESCRIPTION		ITEMS/CASE
76243	Small Surgical Drape Pack		25
STERILE	NON-STERILE	CONTENTS	
-	-	1 Sterilisation Wrap 89 x 89 cm	
-	42446	1 Back Table Cover, Reinforced 112 x 112 cm	
89363	79293	4 Utility Drapes 90 x 90 cm	

ABSCCESS PACK

CODE	DESCRIPTION		ITEMS/CASE
77766	Abscess Pack		6
STERILE	NON-STERILE	CONTENTS	
-	42451	1 Back Table Cover, Reinforced 152 x 229 cm	
89701	79720	2 Absorbent Towels 38 x 56 cm	
90043	79983	2 Surgical Gowns XL, X-long	
-	-	1 split Drape 340 x 193 cm <ul style="list-style-type: none"> • CONTROL⁺ Plus Fabric Reinforcement • Tube Holders 	

All codes in **bold** indicate a sterile product.

See Back Cover for Trademark Information



GENERAL SURGERY DRAPES

FENESTRATED DRAPES

MINOR PROCEDURE FENESTRATED DRAPE, 76 X 76 CM

- Fenestration 3 x 5 cm
- CONTROL[®] Fabric Reinforcement 12 x 20 cm
- Positioning Tape

CODE	DESCRIPTION	ITEMS/ CASE	ITEMS/ DISPENSER	DISPENSERS/ CASE
89206	Minor Procedure Fenestrated Drape, Sterile	100	25 x 4	4
79206	Minor Procedure Fenestrated Drape Non-Sterile	250	-	-

MINOR PROCEDURE FENESTRATED DRAPE, 122 X 152 CM

- Fenestration (Diameter 7 cm)
- CONTROL[®] Fabric Reinforcement 31 x 31 cm
- Positioning Tape

CODE	DESCRIPTION	ITEMS/CASE
89207	Minor Procedure Fenestrated Drape, Sterile	40
79207	Minor Procedure Fenestrated Drape, Non-Sterile	60

MINOR PROCEDURE FENESTRATED DRAPE, 122 X 152 CM

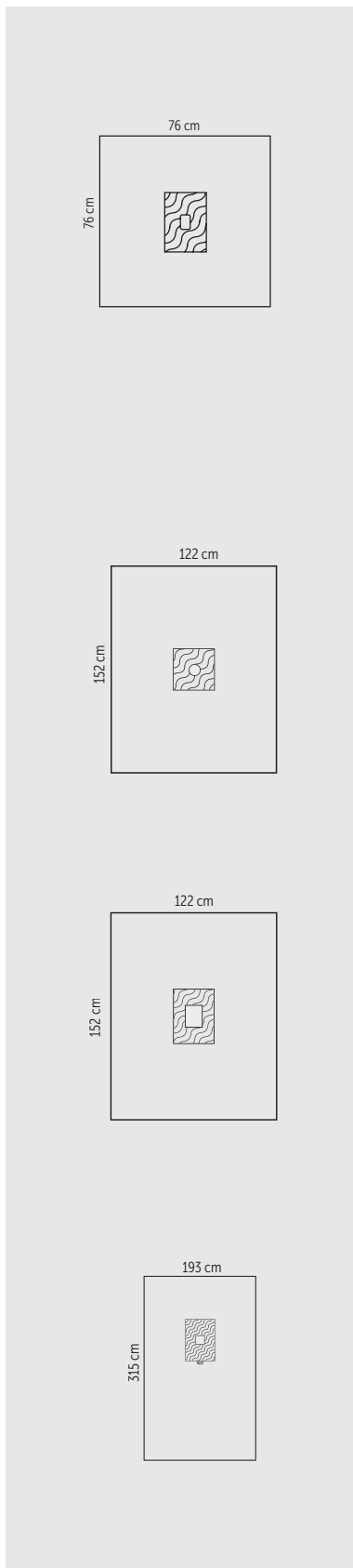
- Fenestration 12 x 15 cm
- CONTROL[®] Fabric Reinforcement 41 x 31 cm
- Positioning Tape

CODE	DESCRIPTION	ITEMS/CASE
89208	Minor Procedure Fenestrated Drape, Sterile	40
79208	Minor Procedure Fenestrated Drape, Non-Sterile	60

MINOR PROCEDURE FENESTRATED DRAPE, 193 X 315 CM

- Fenestration 15 x 15 cm
- CONTROL[®] Fabric Reinforcement 51 x 67 cm
- Positioning Tape

CODE	DESCRIPTION	ITEMS/CASE
89209	Minor Procedure Fenestrated Drape, Sterile	19
79209	Minor Procedure Fenestrated Drape, Non-Sterile	23



All codes in **bold** indicate a sterile product.

HALYARD BASICS* EPIDURAL DRAPE WITH TAPE, 50 X 75 CM

- Oval Fenestration 8 x 10 cm, centered
- Spunbond Film
- Lateral Tape 50 x 2.5 cm
- Tape around Fenestration
- Positioning Tape

CODE	DESCRIPTION	ITEMS/CASE
14364	HALYARD BASICS* Epidural Drape with Tape, Sterile	40
14365	HALYARD BASICS* Epidural Drape with Tape, Non-Sterile	160

HALYARD BASICS* FENESTRATED DRAPE, 75 X 75 CM

- Oval Fenestration 7 x 10 cm, centered
- Spunbond Film

CODE	DESCRIPTION	ITEMS/CASE
89638	HALYARD BASICS* Fenestrated Drape, Sterile	35

HALYARD BASICS* FENESTRATED DRAPE, 90 X 90 CM

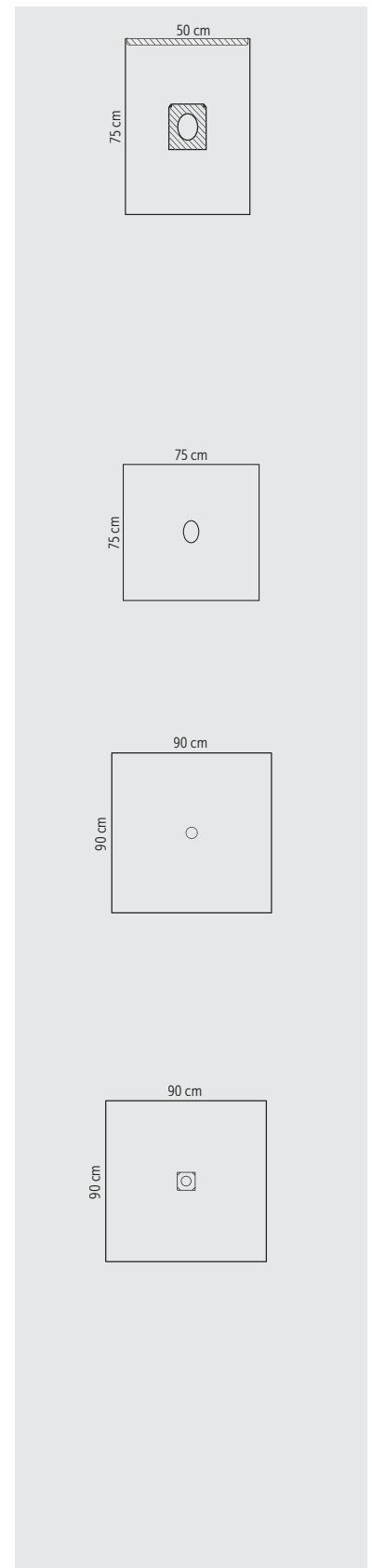
- Circular Fenestration 10 cm, centered
- Spunbond Film

CODE	DESCRIPTION	ITEMS/CASE
89670	HALYARD BASICS* Fenestrated Drape, Sterile	30
79692	HALYARD BASICS* Fenestrated Drape, Non-Sterile	120

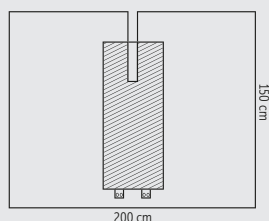
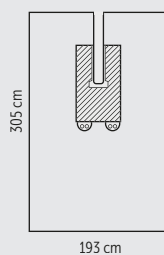
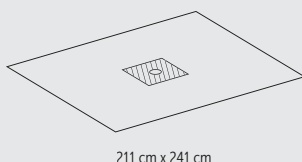
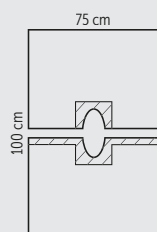
HALYARD BASICS* FENESTRATED DRAPE WITH TAPE, 90 X 90 CM

- Circular Fenestration 10 cm, centered
- Spunbond Film
- Positioning Tape

CODE	DESCRIPTION	ITEMS/CASE
89671	HALYARD BASICS* Fenestrated Drape with Tape, Sterile	30
79693	HALYARD BASICS* Fenestrated Drape with Tape, Non-Sterile	50



All codes in **bold** indicate a sterile product.



HALYARD BASICS* VARIABLE FENESTRATED DRAPE WITH TAPE, 75 X 100 CM

- Variable Fenestration: half circle on each drape
- Spunbond Film
- Positioning Tape

CODE	DESCRIPTION	ITEMS/CASE
89680	HALYARD BASICS* Variable Fenestrated Drape with Tape, Sterile	30
79784	HALYARD BASICS* Variable Fenestrated Drape with Tape, Non-Sterile	120

HALYARD BASICS* FENESTRATED DRAPE, 211 X 241 CM

- Circular Fenestration 12 cm, centered
- SMS
- Absorbent Reinforcement

CODE	DESCRIPTION	ITEMS/CASE
79745	HALYARD BASICS* Fenestrated Drape, Non-Sterile	30

U-DRAPES

U-DRAPE, 193 X 305 CM

- Split 10 x 102 cm
- CONTROL* or CONTROL* Plus Fabric Reinforcement 122 x 61 cm
- Tube Holders
- Positioning Tape

CODE	DESCRIPTION	ITEMS/CASE
89301	U-Drape, CONTROL*, Sterile	17
76361	U-Drape, CONTROL* Plus, Non-Sterile	15
13231	U-Drape, CONTROL*, Non-Sterile - handi-bin	190

U-DRAPE, 200 X 150 CM

- Split 15 x 137 cm
- SMS
- CONTROL* Fabric Reinforcement

CODE	DESCRIPTION	ITEMS/CASE
K790790	U-Drape, Non-Sterile	22

All codes in **bold** indicate a sterile product.

LARGE ORTHO U-DRAPE, 224 X 318 CM

- Split 15 x 137 cm
- CONTROL* or CONTROL* Plus Fabric Reinforcement 81 x 170 cm
- Tube Holders
- Positioning Tape

CODE	DESCRIPTION	ITEMS/CASE
89311	Large Ortho U-Drape, CONTROL*, Sterile	11
79363	Large Ortho U-Drape, CONTROL*, Non-Sterile	15
K793630	Large Ortho U-Drape, CONTROL*, Non-Sterile	22
76368	Large Ortho U-Drape, CONTROL* Plus, Non-Sterile	15

HALYARD BASICS* U-DRAPE, 203 X 315 CM

- Split 10 x 112 cm
- SMS
- Absorbent Reinforcement

CODE	DESCRIPTION	ITEMS/CASE
79532	HALYARD BASICS* U-Drape, Non-Sterile	30

BAR DRAPES

ORTHO BAR DRAPE, 254 X 152 CM

- CONTROL* Plus Fabric Reinforcement 41 x 61 cm
- Tube Holders
- Positioning Tape

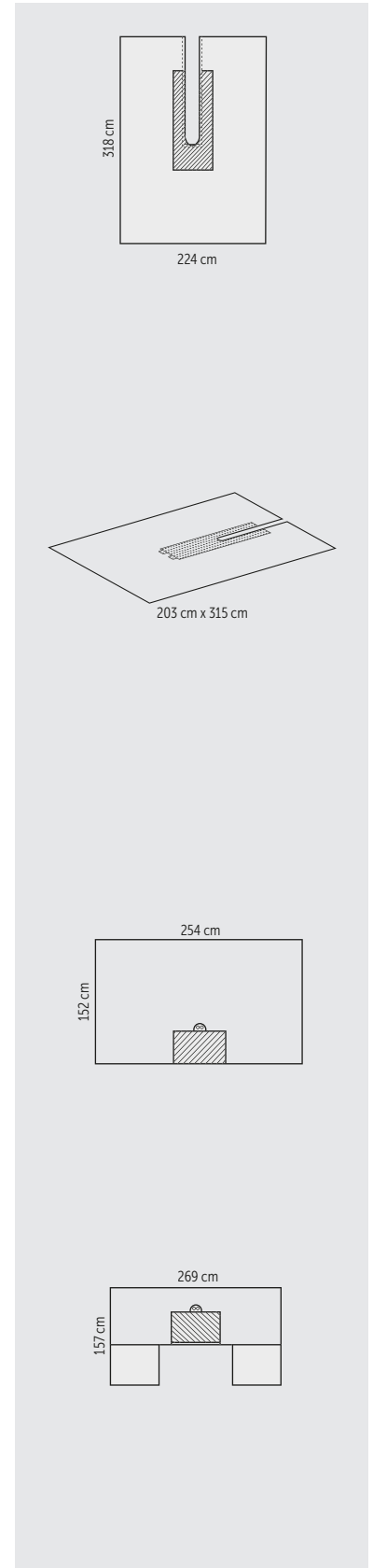
CODE	DESCRIPTION	ITEMS/CASE
89381	Ortho Bar Drape, Sterile	18
79360	Ortho Bar Drape, Non-Sterile	28

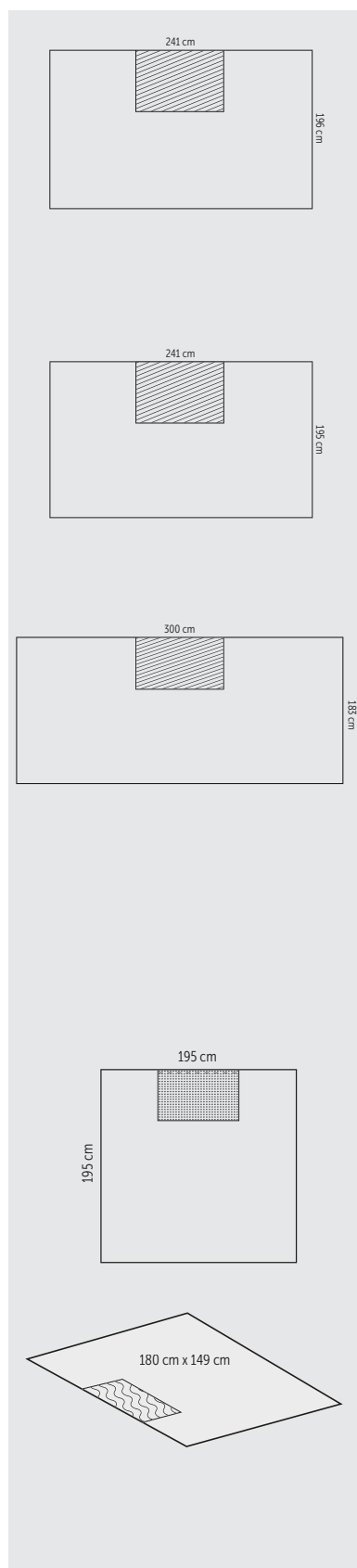
BAR DRAPE WITH ARMBBOARD COVERS, 269 X 157 CM

- Armboard Covers
- CONTROL* or CONTROL* Plus Fabric Reinforcement 41 x 61 cm
- Tube Holders
- Positioning Tape

CODE	DESCRIPTION	ITEMS/CASE
79375	Bar Drape, CONTROL*, Non-Sterile	28
76363	Bar Drape, CONTROL* Plus, Non-Sterile	26

All codes in **bold** indicate a sterile product.





SURGICAL DRAPE, 196 X 241 CM

- SMS
- CONTROL[®] Fabric Reinforcement
- With Adhesive Tape

CODE	DESCRIPTION	ITEMS/CASE
K791411	Surgical Drape, Non-Sterile	50

SURGICAL DRAPE, 195 X 241 CM

- SMS
- CONTROL[®] Fabric Reinforcement

CODE	DESCRIPTION	ITEMS/CASE
K791412	Surgical Drape, Non-Sterile	50

BAR DRAPE, 183 X 300 CM

- SMS
- CONTROL[®] Fabric Reinforcement 20 x 150 cm
- With Adhesive Tape

CODE	DESCRIPTION	ITEMS/CASE
K793703	Bar Drape, Non-Sterile	40

BOTTOM DRAPES

HALYARD BASICS[®] BOTTOM DRAPE, 195 X 195 CM

- SMS

CODE	DESCRIPTION	ITEMS/CASE
79787	HALYARD BASICS [®] Bottom Drape, Non-Sterile	35

BOTTOM DRAPE, 180 X 149 CM

- CONTROL[®] Fabric Reinforcement 30 x 89 cm
- Positioning Tape

CODE	DESCRIPTION	ITEMS/CASE
79214	Bottom Drape, Non-Sterile	40

All codes in **bold** indicate a sterile product.

BOTTOM DRAPE, 180 X 175 CM

- CONTROL* Fabric Reinforcement 30 x 89 cm
- Positioning Tape

CODE	DESCRIPTION	ITEMS/CASE
79217	Bottom Drape, Non-Sterile	35

BOTTOM DRAPE, 157 X 178 CM

- CONTROL* Plus Fabric Reinforcement 81 x 61 cm
- Tube Holders
- Positioning Tape

CODE	DESCRIPTION	ITEMS/CASE
76366	Bottom Drape, Non-Sterile	22

BOTTOM DRAPE, 173 X 180 CM

- CONTROL* Plus Fabric Reinforcement 63 x 61 cm
- Positioning Tape

CODE	DESCRIPTION	ITEMS/CASE
79011	Bottom Drape, Non-Sterile	50

SIDE DRAPES

SIDE DRAPE, 90 X 100 CM

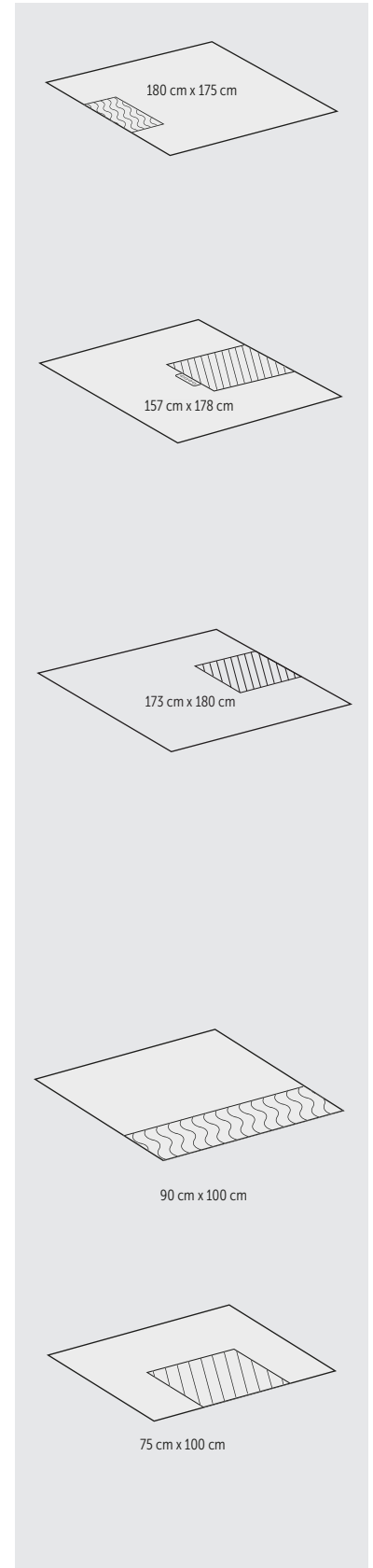
- CONTROL* Fabric Reinforcement 99 x 31 cm
- Positioning Tape

CODE	DESCRIPTION	ITEMS/CASE
79216	Side Drape, Non-Sterile	70

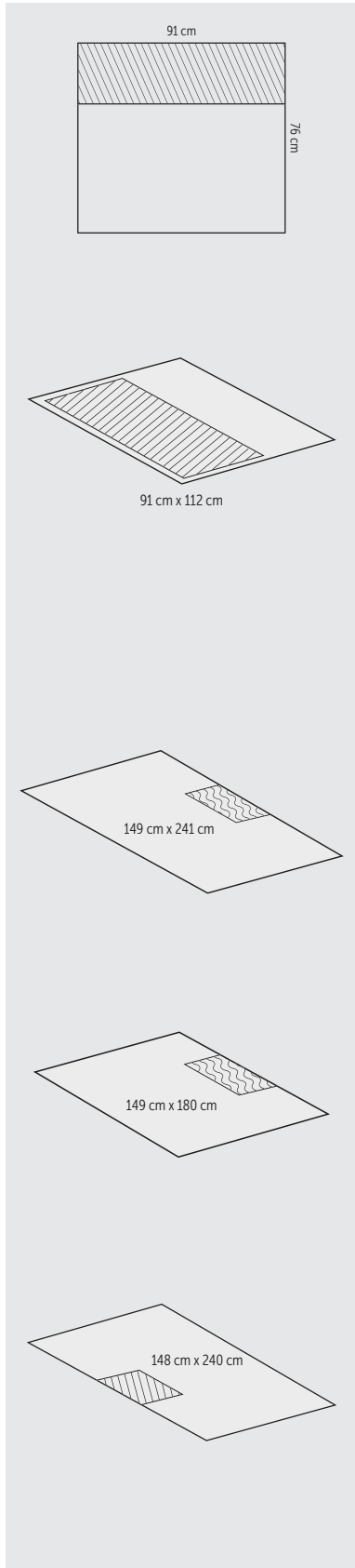
SIDE DRAPE, 75 X 100 CM

- CONTROL* Plus Fabric Reinforcement 41 x 51 cm
- Positioning Tape

CODE	DESCRIPTION	ITEMS/CASE
79012	Side Drape, Non-Sterile	150



All codes in **bold** indicate a sterile product.



SIDE DRAPE, 76 X 91 CM

- SMS
- CONTROL⁺ Fabric Reinforcement
- Tape 2.5 cm

CODE	DESCRIPTION	ITEMS/CASE
K792130	Side Drape, Non-Sterile	200

SIDE DRAPE, 91 X 112 CM

- CONTROL⁺ Plus Fabric Reinforcement 46 x 112 cm
- Positioning Tape

CODE	DESCRIPTION	ITEMS/CASE
76365	Side Drape, Non-Sterile	54

TOP DRAPES

TOP DRAPE, 149 X 241 CM

- CONTROL⁺ Fabric Reinforcement
- Positioning Tape

CODE	DESCRIPTION	ITEMS/CASE
79218	Top Drape, Non-Sterile	35

TOP DRAPE, 149 X 180 CM

- CONTROL⁺ Fabric Reinforcement 30 x 89 cm
- Positioning Tape

CODE	DESCRIPTION	ITEMS/CASE
79215	Top Drape, Non-Sterile	40

TOP DRAPE, 148 X 240 CM

- CONTROL⁺ Plus Fabric Reinforcement 42 x 61 cm
- Positioning Tape

CODE	DESCRIPTION	ITEMS/CASE
79010	Top Drape, Non-Sterile	50

All codes in **bold** indicate a sterile product.

TOP DRAPE, 157 X 241 CM

- CONTROL* Plus Fabric Reinforcement 30 x 61 cm
- Positioning Tape

CODE	DESCRIPTION	ITEMS/CASE
76367	Top Drape, Non-Sterile	33

HALYARD BASICS* TOP DRAPE, 275 X 150 CM

- SMS

CODE	DESCRIPTION	ITEMS/CASE
79790	HALYARD BASICS* Top Drape, Non-Sterile	35

ABSORBENT UNDERLEG DRAPES

POLY DRAPE, 158 X 235 CM

- CONTROL* Plus Fabric Reinforcement 157 x 104 cm

CODE	DESCRIPTION	ITEMS/CASE
59705	Poly Drape, Sterile	14

BILATERAL UNDERLEG PERINEAL POLY DRAPE, 152 X 179 CM

- CONTROL* Fabric Reinforcement
- With Adhesive Tape

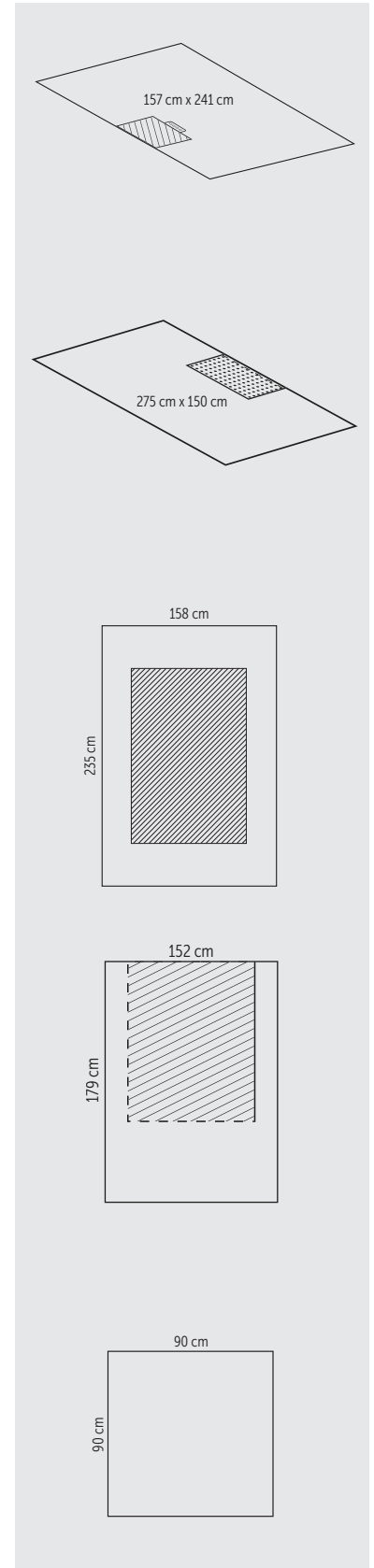
CODE	DESCRIPTION	ITEMS/CASE
K794532	Bilateral Underleg Perineal Poly Drape, Non-Sterile	25

SINGLE DRAPES

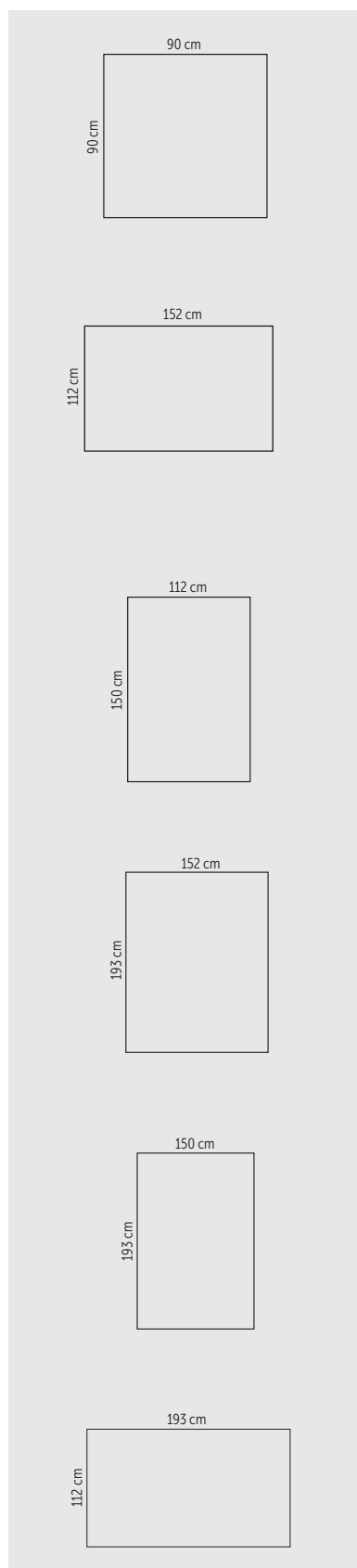
DRAPE, 90 X 90 CM

- SMS

CODE	DESCRIPTION	ITEMS/CASE
89353	Drape, Sterile	120
76323	Drape, Non-Sterile	200



All codes in **bold** indicate a sterile product.



HALYARD BASICS* DRAPE, 90 X 90 CM

- Spunbond Film

CODE	DESCRIPTION	ITEMS/CASE
89678	HALYARD BASICS* Drape, Sterile	30
79782	HALYARD BASICS* Drape, Non-Sterile	90

HALF DRAPE, 152 X 112 CM

- SMS

CODE	DESCRIPTION	ITEMS/CASE
89101	Half Drape, Sterile	54
79102	Half Drape, Non-Sterile	80

HALYARD BASICS* HALF DRAPE, 112 X 150 CM

- Spunbond Film

CODE	DESCRIPTION	ITEMS/CASE
89672	HALYARD BASICS* Half Drape, Sterile	40
79694	HALYARD BASICS* Half Drape, Non-Sterile	50

LARGE DRAPE, 152 X 193 CM

- SMS

CODE	DESCRIPTION	ITEMS/CASE
89121	Large Drape, Sterile	36
79122	Large Drape, Non-Sterile	48

HALYARD BASICS* LARGE DRAPE, 150 X 193 CM

- Spunbond Film

CODE	DESCRIPTION	ITEMS/CASE
89674	HALYARD BASICS* Large Drape, Sterile	30
79696	HALYARD BASICS* Large Drape, Non-Sterile	40

MEDIUM DRAPE, 193 X 112 CM

- SMS

CODE	DESCRIPTION	ITEMS/CASE
79111	Medium Drape, Non-Sterile	64

All codes in **bold** indicate a sterile product.

X-LARGE DRAPE, 193 X 254 CM

- SMS

CODE	DESCRIPTION	ITEMS/CASE
79132	X-Large Drape, Non-Sterile	24

UTILITY DRAPES

UTILITY DRAPE WITH TAPE, 76 X 76 CM, PER PAIR

- SMS

CODE	DESCRIPTION	ITEMS/CASE
89313	Utility Drape with Tape, Sterile	180 (2 x 90)
79313	Utility Drape with Tape, Non-Sterile	200

HALYARD BASICS* UTILITY DRAPE WITH TAPE, 75 X 75 CM

- Spunbond Film

CODE	DESCRIPTION	ITEMS/CASE
89677	HALYARD BASICS* Utility Drape with Tape, Sterile	35
79699	HALYARD BASICS* Utility Drape with Tape, Non-Sterile	60

UTILITY DRAPE WITH TAPE, 90 X 90 CM, PER PAIR

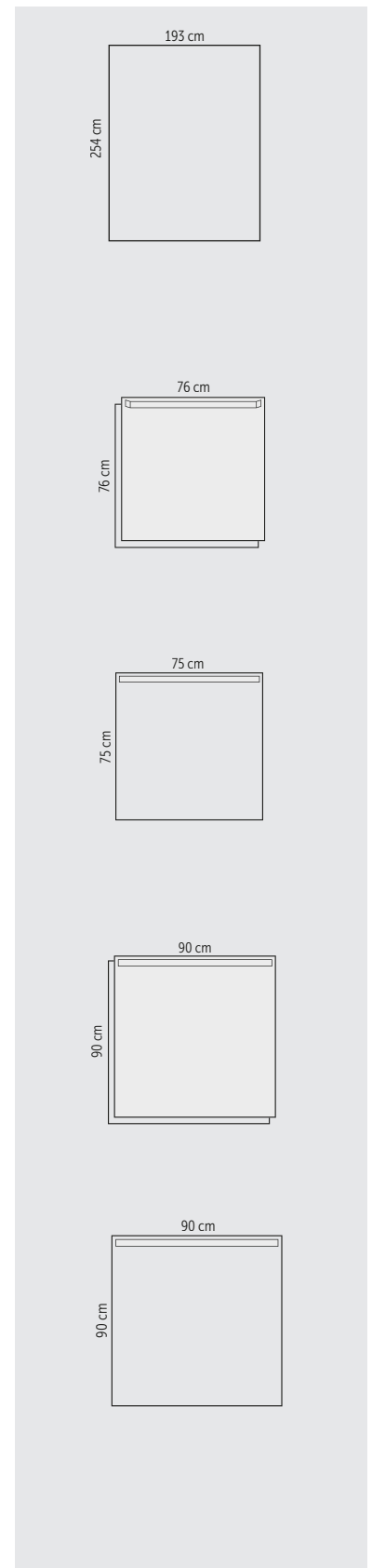
- SMS

CODE	DESCRIPTION	ITEMS/CASE
89293	Utility Drape with Tape, Sterile	160 (2 x 80)
79293	Utility Drape with Tape, Non-Sterile	170

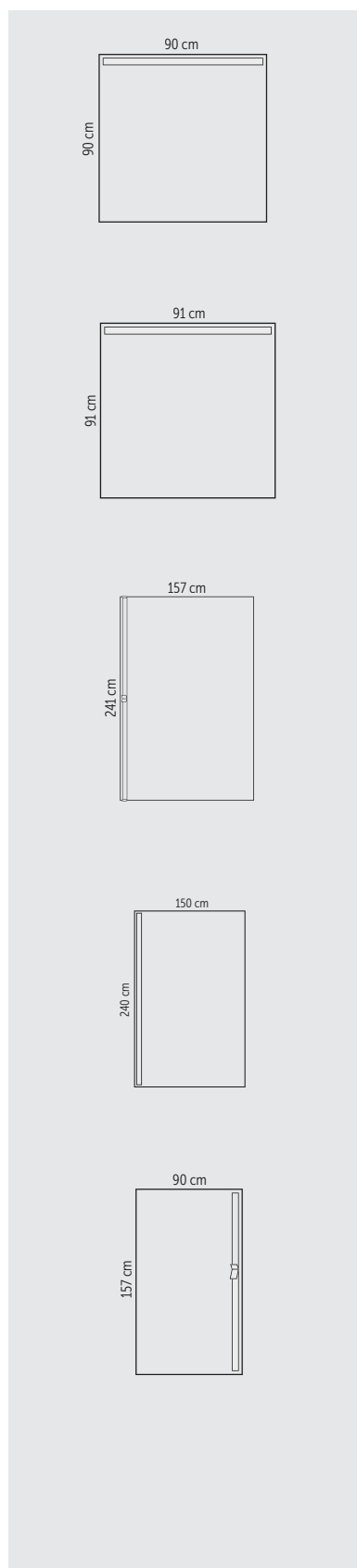
UTILITY DRAPE WITH TAPE, 90 X 90 CM

- SMS

CODE	DESCRIPTION	ITEMS/CASE
89363	Utility Drape with Tape, Sterile	100
79293	Utility Drape with Tape, Non-Sterile	170



All codes in **bold** indicate a sterile product.



HALYARD BASICS* UTILITY DRAPE WITH TAPE, 90 X 90 CM

- Spunbond Film

CODE	DESCRIPTION	ITEMS/CASE
89679	HALYARD BASICS* Utility Drape with Tape, Sterile	30
79783	HALYARD BASICS* Utility Drape with Tape, Non-Sterile	90

STANDARD ABSORBENT DRAPE WITH TAPE, 91 X 91 CM

- With Tape

CODE	DESCRIPTION	ITEMS/CASE
89343	Standard Absorbent Drape with Tape, Sterile	50
79343	Standard Absorbent Drape with Tape, Non-Sterile	70

UTILITY DRAPE, 157 X 241 CM

- SMS
- Full Length Tape on the Long Side

CODE	DESCRIPTION	ITEMS/CASE
76291	Utility Drape, Sterile	30
76492	Utility Drape, Non-Sterile	32

HALYARD BASICS* UTILITY DRAPE WITH TAPE, 150 X 240 CM

- SMS
- Full Length Tape on the Long Side

CODE	DESCRIPTION	ITEMS/CASE
89676	HALYARD BASICS* Utility Drape with Tape, Sterile	30

UTILITY DRAPE, 90 X 157 CM

- SMS
- Full Length Tape on the Long Side

CODE	DESCRIPTION	ITEMS/CASE
76293	Utility Drape, Sterile	60
78965	Utility Drape, Non-Sterile	120

All codes in **bold** indicate a sterile product.

UTILITY DRAPE WITH TAPE, 64 X 38 CM

- SMS
- Full Length Tape on the Long Side

CODE	DESCRIPTION	ITEMS/CASE
79731	Utility Drape with Tape, Non-Sterile	550

UTILITY DRAPE WITH TAPE, 75 X 90 CM

CODE	DESCRIPTION	ITEMS/CASE
K797310	Utility Drape with Tape, Non-Sterile	200

LAPAROTOMY DRAPES

LAPAROTOMY DRAPE WITH INCISE, 254 X 305 X 183 CM

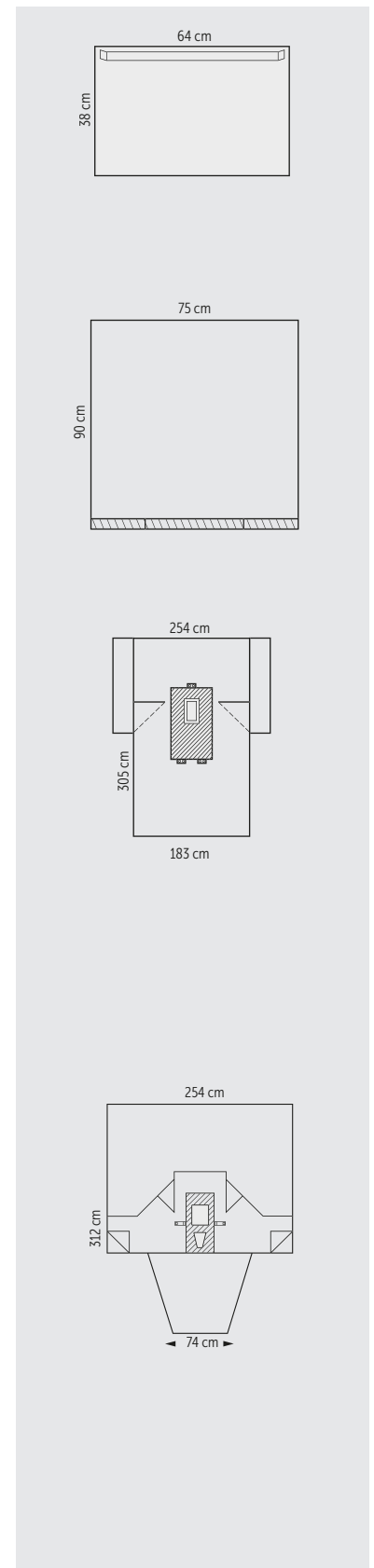
- Fenestration 20 x 33 cm
- CONTROL* Plus Fabric Reinforcement 61 x 96 cm
- Tube Holders
- Armboard Covers
- Positioning Tape

CODE	DESCRIPTION	ITEMS/CASE
89282	Laparotomy Drape With Incise, Sterile	15
79282	Laparotomy Drape With Incise, Non-Sterile	15

LAPAROTOMY DRAPE WITH ATTACHED LEGGINGS, 254 X 312 X 74 CM

- Abdominal Fenestration 23 x 28 cm
- Trapezoidal Perineal Fenestration with Flap 7.6 x 18 cm
- CONTROL* Plus Fabric Reinforcement 76 x 38 cm
- Hook and Loop Tube Holders
- Positioning Tape on both Fenestrations

CODE	DESCRIPTION	ITEMS/CASE
76380	Laparotomy Drape with Attached Leggings, Non-Sterile	8



All codes in **bold** indicate a sterile product.

BREAST/CHEST DRAPES

BREAST DRAPE, 254 X 315 X 193 CM

- Fenestration 15 x 15 cm
- CONTROL⁺ Fabric Reinforcement 51 x 71 cm
- Hook and Loop Tube and Line Control
- Armboard Covers

CODE	DESCRIPTION	ITEMS/CASE
89236	Breast Drape, Sterile	10
79236	Breast Drape, Non-Sterile	20

BREAST & CHEST U-DRAPE, 193 X 305 CM

- CONTROL⁺ Plus Fabric Reinforcement 102 x 61 cm
- Tube Holders
- Positioning Tape
- 30 x 76 cm Split

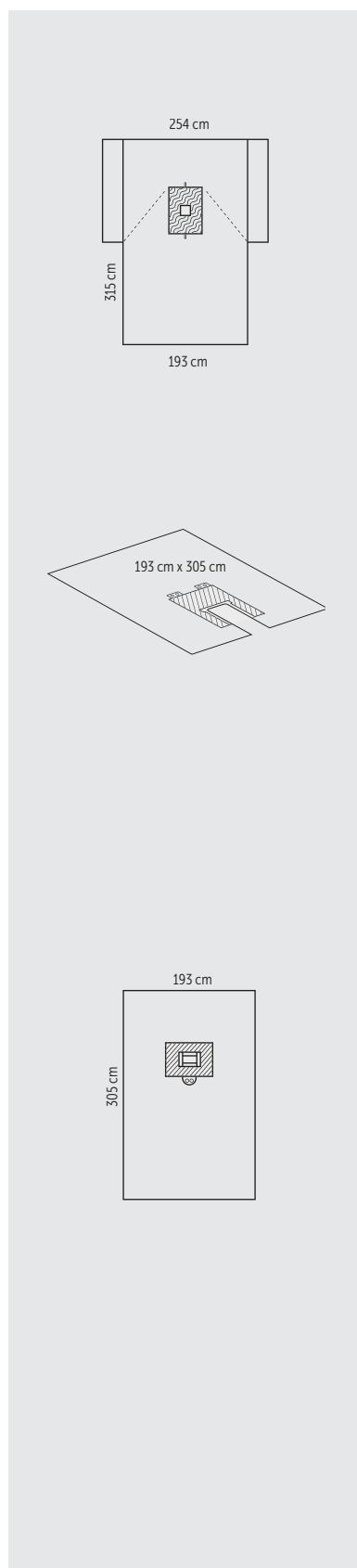
CODE	DESCRIPTION	ITEMS/CASE
76364	Breast & Chest U-Drape, Non-Sterile	19

THYROID DRAPES

THYROID DRAPE, 193 X 305 CM

- Transverse Fenestration 20 x 7 cm
- CONTROL⁺ Plus Fabric Reinforcement 61 x 41 cm
- Tube Holders
- Positioning Tape

CODE	DESCRIPTION	ITEMS/CASE
89251	Thyroid Drape, Sterile	13



LAPAROSCOPY DRAPES

LAPAROSCOPY DRAPE WITH ATTACHED LEGGINGS, 254 X 279 X 178 CM

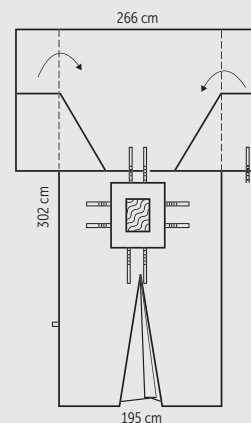
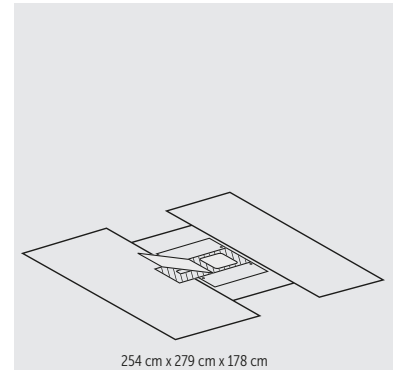
- Abdominal Fenestration 30 x 33 cm
- Perineal Fenestration 22 x 10 cm
- With Flap over both Fenestrations
- CONTROL* Plus Reinforcement 96 x 152 cm

CODE	DESCRIPTION	ITEMS/CASE
76377	Laparoscopy Drape with Attached Leggings, Non-Sterile	10

LAPAROSCOPIC CHOLECYSTECTOMY DRAPE, 266 X 195 X 302 CM

- SMS
- 12.7 cm Fenestration
- CONTROL* Fabric Reinforcement

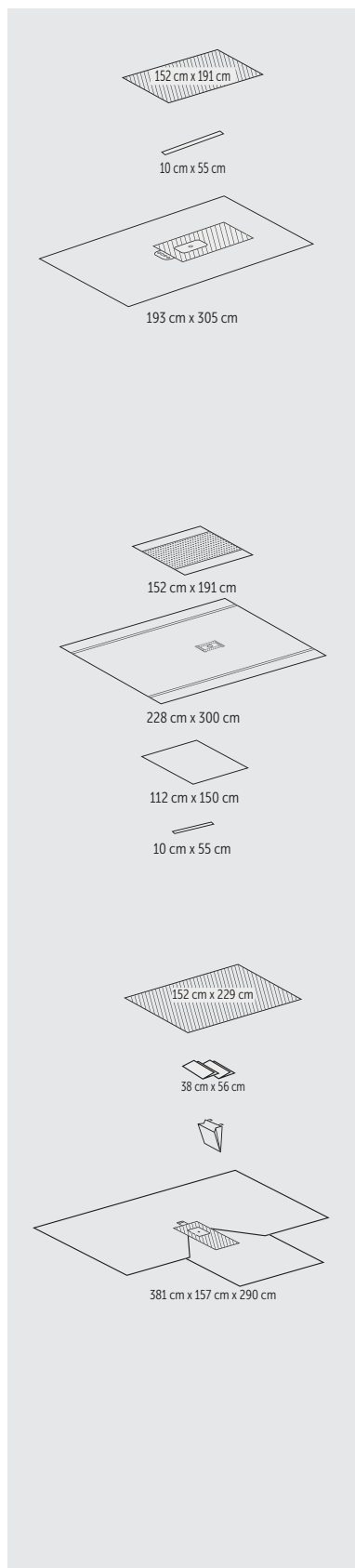
CODE	DESCRIPTION	ITEMS/CASE
K792251	Laparoscopic Cholecystectomy Drape, Non-Sterile	8



All codes in **bold** indicate a sterile product.

ORTHOPAEDICS

ORTHOPAEDIC PACKS



UPPER EXTREMITY PACK

CODE	DESCRIPTION	ITEMS/CASE
7781	Upper Extremity Pack	9
STERILE	NON-STERILE	CONTENTS
-	-	1 Sterilisation Wrap 89 x 89 cm
42222	42428	1 Back Table Cover, Reinforced 152 x 191 cm
89053	79053	1 Tape Strip 10 x 55 cm
89271	79273	1 Extremity Drape 193 x 305 cm: <ul style="list-style-type: none"> • Conformable Circular Fenestration 3 cm • CONTROL⁺ Fabric Reinforcement • Tube Holders

HALYARD BASICS* EXTREMITY PACK II

CODE	DESCRIPTION	ITEMS/CASE
89684	HALYARD BASICS* Extremity Pack II	10
STERILE	NON-STERILE	CONTENTS
88673	78669	1 Back Table Cover, Zone Reinforced 152 x 191 cm
-	-	1 Extremity Drape 228 x 300 cm: <ul style="list-style-type: none"> • Oval Fenestration 8 x 6 cm, centered • Spunbond Film
89672	79694	1 Half Drape 112 x 150 cm
-	-	1 Tape Strip 10 x 55 cm

HAND PACK

CODE	DESCRIPTION	ITEMS/CASE
59707	Hand Pack	8
STERILE	NON-STERILE	CONTENTS
-	42451	1 Back Table Cover, Reinforced 152 x 229 cm
89701	79720	1 Absorbent Towel 38 x 56 cm
77450	13227 (handi-bin)	1 Hand Drape 290 x 381 x 157 cm: <ul style="list-style-type: none"> • Conformable Circular Fenestration 3 cm • CONTROL⁺ Plus Fabric Reinforcement • Tube Holders • Gusseted Hand Table Cover 157 x 147 cm • Positioning Tape

All codes in **bold** indicate a sterile product.

HAND PACK I

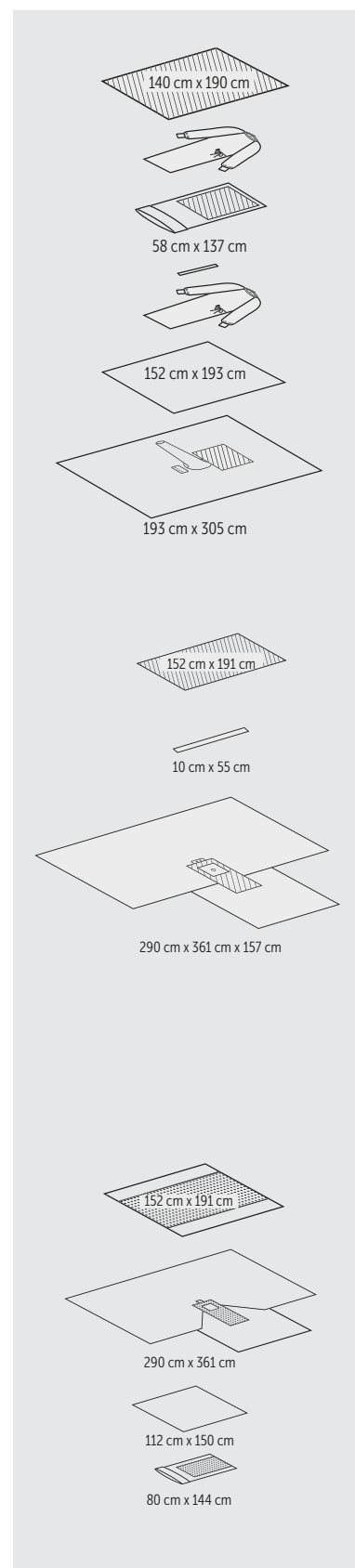
CODE	DESCRIPTION	ITEMS/CASE
76226	Hand Pack I	7
STERILE	NON-STERILE	CONTENTS
42345	-	1 Back table Cover, Reinforced 140 x 190 cm
89601	79601	1 Mayo Stand Cover 58 x 137 cm
90012	79970	1 Surgical Gown Set-in-Sleeves Large
90043	79983	1 Surgical Gown Raglan Sleeves XL, X-Long
89053	79053	2 Tape Strips 10 x 55 cm
89121	79122	1 Large Drape 193 x 152 cm
-	-	1 Hand Drape 193 x 305 cm <ul style="list-style-type: none"> • Attached Sleeve • Tube Holders • CONTROL⁺ Plus Fabric Reinforcement

HAND PACK

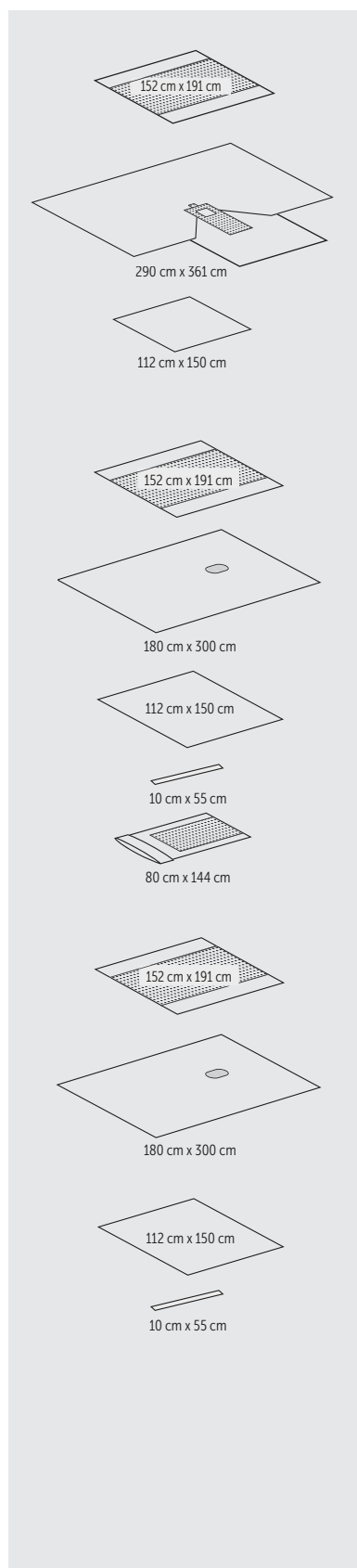
CODE	DESCRIPTION	ITEMS/CASE
77783	Hand Pack	7
STERILE	NON-STERILE	CONTENTS
-	-	1 Sterilisation Wrap 89 x 89 cm
42222	42428	1 Back Table Cover, Reinforced 152 x 191 cm
89053	79053	1 Tape Strip 10 x 55 cm
77450	13227 (handi-bin)	1 Hand Drape 290 x 361 x 157 cm: <ul style="list-style-type: none"> • Conformable Circular Fenestration 3 cm • CONTROL⁺ Plus Fabric Reinforcement • Tube Holders • Gusseted Hand Table Cover 157 x 147 cm • Positioning Tape

HALYARD BASICS* HAND PACK

CODE	DESCRIPTION	ITEMS/CASE
88910	HALYARD BASICS* Hand Pack	10
STERILE	NON-STERILE	CONTENTS
88673	78669	1 Back Table Cover, Zone Reinforced 152 x 191 cm
88672	-	1 Mayo Stand Cover, Zone Reinforced 80 x 144 cm
-	-	1 Hand Drape 290 x 361 cm: <ul style="list-style-type: none"> • Conformable Circular Fenestration 3 cm, centered • Absorbent Reinforcement
89672	79694	1 Half Drape 112 x 150 cm



All codes in **bold** indicate a sterile product.



HALYARD BASICS* HAND PACK II

CODE	DESCRIPTION		ITEMS/CASE
89687	HALYARD BASICS* Hand Pack II		10
	STERILE	NON-STERILE	CONTENTS
88673		78669	1 Back Table Cover, Zone Reinforced 152 x 191 cm
-	-	-	1 Hand Drape 290 x 361 cm: <ul style="list-style-type: none"> • Conformable Circular Fenestration 3 cm, centered • Absorbent Reinforcement
89672		79694	1 Half Drape 112 x 150 cm

HALYARD BASICS* HAND & FOOT PACK

CODE	DESCRIPTION		ITEMS/CASE
88909	HALYARD BASICS* Hand & Foot Pack		10
	STERILE	NON-STERILE	CONTENTS
88673		78669	1 Back Table Cover, Zone Reinforced 152 x 191 cm
88672		-	1 Mayo Stand Cover, Zone Reinforced 80 x 144 cm
89673		-	1 Hand & Foot Drape 180 x 300 cm: <ul style="list-style-type: none"> • Conformable Circular Fenestration 3 cm, centered • Spunbond Film
89672		79694	1 Half Drape 112 x 150 cm
-	-	-	1 Tape Strip 10 x 55 cm

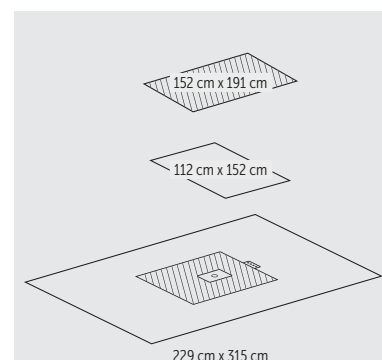
HALYARD BASICS* HAND & FOOT PACK II

CODE	DESCRIPTION		ITEMS/CASE
89685	HALYARD BASICS* Hand & Foot Pack II		10
	STERILE	NON-STERILE	CONTENTS
88673		78669	1 Back Table Cover, Zone Reinforced 152 x 191 cm
89673		-	1 Hand & Foot Drape 180 x 300 cm: <ul style="list-style-type: none"> • Conformable Circular Fenestration 3 cm, centered • Spunbond Film
89672		79694	1 Half Drape 112 x 150 cm
-	-	-	1 Tape Strip 10 x 55 cm

All codes in **bold** indicate a sterile product.

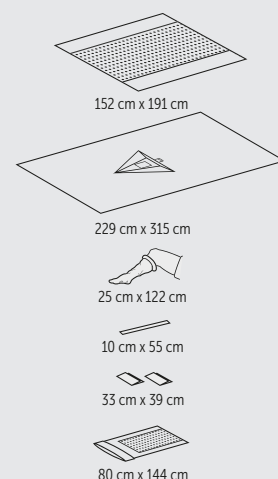
ARTHROSCOPY PACK II

CODE	DESCRIPTION	ITEMS/CASE
77881	Arthroscopy Pack II	10
STERILE	NON-STERILE	CONTENTS
-	-	1 Sterilisation Wrap 89 x 89 cm
42222	42428	1 Back Table Cover, Reinforced 152 x 191 cm
89101	79102	1 Half Drape 112 x 152 cm
89279	79279	1 Universal Lower Extremity Drape 229 x 315 cm: <ul style="list-style-type: none"> • Conformable Circular Fenestration 6 cm • CONTROL* Plus Fabric Reinforcement • Tube Holders



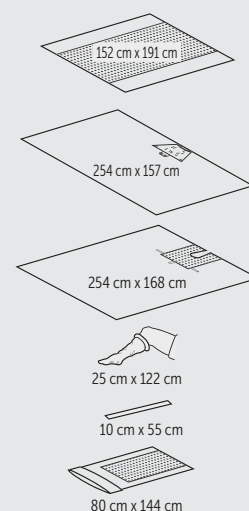
HALYARD BASICS* ARTHROSCOPIC CRUCIATE LIGAMENT (ACL) PACK

CODE	DESCRIPTION	ITEMS/CASE
88907	HALYARD BASICS* Arthroscopic Cruciate Ligament (ACL) Pack	5
STERILE	NON-STERILE	CONTENTS
88673	78669	1 Back Table Cover, Zone Reinforced 152 x 191 cm
88672	-	1 Mayo Stand Cover, Zone Reinforced 80 x 144 cm
-	-	1 Knee Arthroscopy Drape 229 x 315 cm
-	-	1 Stockinette Medium 25 x 122 cm
-	-	1 Tape Strip 10 x 55 cm
-	-	2 Absorbent Towels 33 x 39 cm

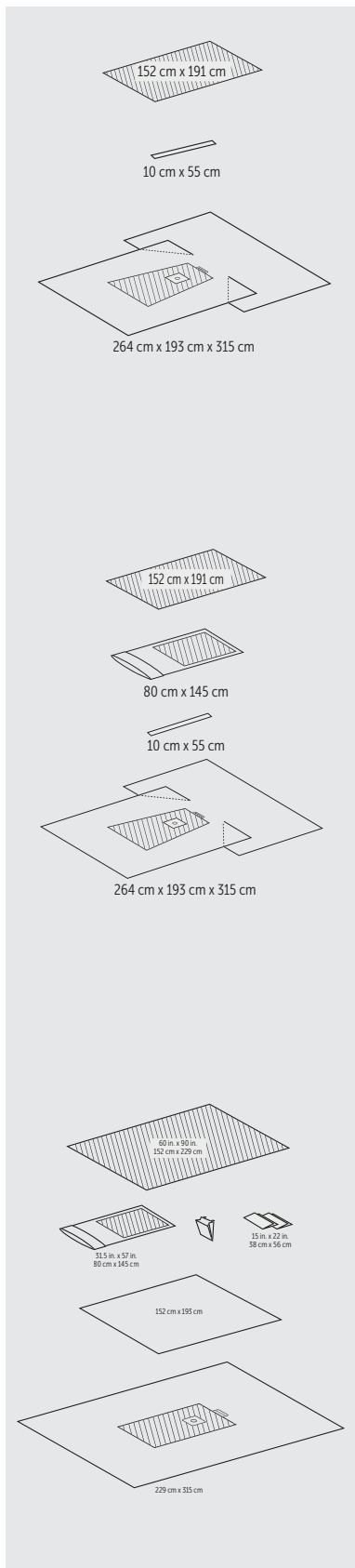


HALYARD BASICS* SHOULDER ARTHROSCOPY PACK

CODE	DESCRIPTION	ITEMS/CASE
88908	HALYARD BASICS* Shoulder Arthroscopy Pack	5
STERILE	NON-STERILE	CONTENTS
88673	78669	1 Back Table Cover, Zone Reinforced 152 x 191 cm
88672	-	1 Mayo Stand Cover, Zone Reinforced 80 x 144 cm
-	-	1 Shoulder Arthroscopy Drape 254 x 157 cm: <ul style="list-style-type: none"> • Fluid Collection Pouch • 10 x 53 cm Split
-	-	1 Shoulder Split Drape 254 x 168 cm: <ul style="list-style-type: none"> • 10 x 53 cm Split
-	-	1 Stockinette Medium 25 x 122 cm
-	-	1 Tape Strip 10 x 55 cm



All codes in **bold** indicate a sterile product.



LOWER EXTREMITY PACK I

CODE	DESCRIPTION	ITEMS/CASE
7790	Lower Extremity Pack I	13
STERILE	NON-STERILE	CONTENTS
-	-	1 Sterilisation Wrap 89 x 89 cm
42222	42428	1 Back Table Cover, Reinforced 152 x 191 cm
89053	79053	1 Tape Strip 10 x 55 cm
-	13232 (handi-bin)	1 Extremity Drape 264 x 193 x 315 cm: <ul style="list-style-type: none"> • Conformable Circular Fenestration 6 cm • Armboard Covers • CONTROL⁺ Plus Fabric Reinforcement • Tube Holders

LOWER EXTREMITY PACK II

CODE	DESCRIPTION	ITEMS/CASE
7798	Lower Extremity Pack II	9
STERILE	NON-STERILE	CONTENTS
-	-	1 Sterilisation Wrap 89 x 89 cm
42222	42428	1 Back Table Cover, Reinforced 152 x 191 cm
89603	79603	1 Mayo Stand Cover, 80 x 145 cm
89053	79053	1 Tape Strip 10 x 55 cm
-	13232 (handi-bin)	1 Extremity Drape 264 x 193 x 315 cm: <ul style="list-style-type: none"> • Conformable Circular Fenestration 6 cm • Armboard Covers • CONTROL⁺ Plus Fabric Reinforcement • Tube Holders

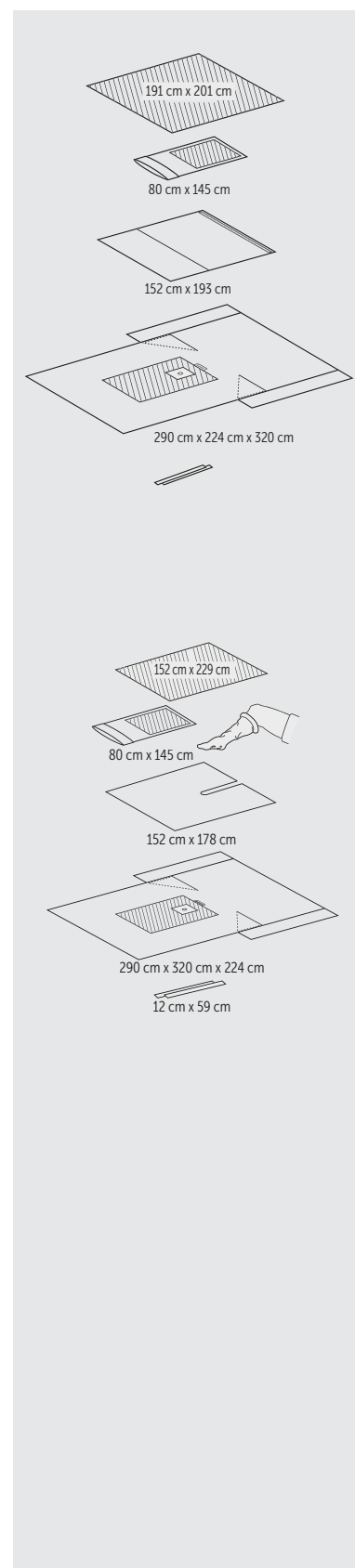
LOWER EXTREMITY PACK

CODE	DESCRIPTION	ITEMS/CASE
59706	Lower Extremity Pack	6
STERILE	NON-STERILE	CONTENTS
-	42451	1 Back Table Cover, Reinforced 152 x 229 cm
89603	79603	1 Mayo Stand Cover 80 x 145 cm
-	-	1 Suture Bag
89701	79720	1 Absorbent Towel 38 x 56 cm
-	79141	1 Large Drape 152 x 193 cm
89279	79279	1 Universal Extremity Drape <ul style="list-style-type: none"> • Conformable Circular Fenestration 6 cm • CONTROL⁺ Plus Fabric Reinforcement • Tube Holders

All codes in **bold** indicate a sterile product.

LOWER EXTREMITY PACK

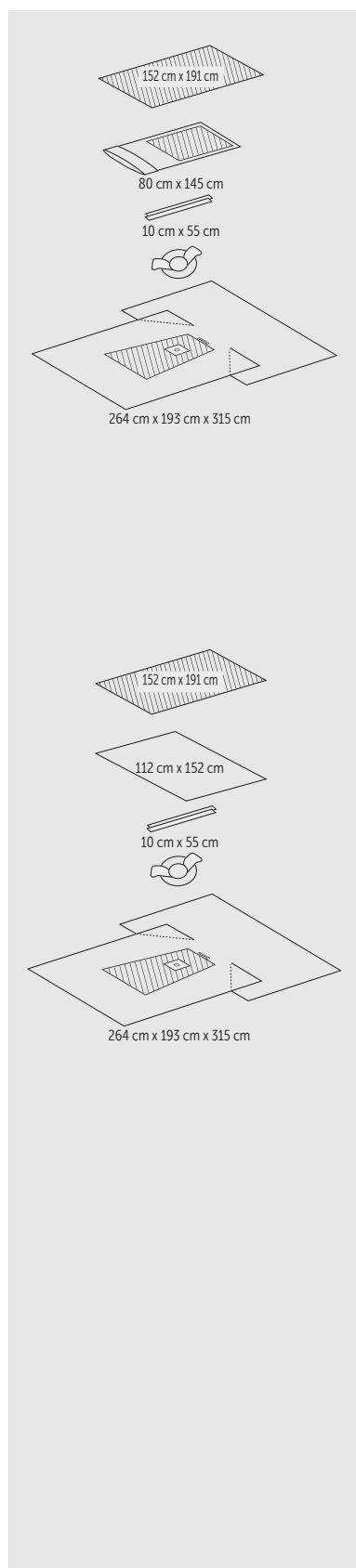
CODE	DESCRIPTION	ITEMS/CASE
76246	Lower Extremity Pack	5
STERILE	NON-STERILE	CONTENTS
42312	42313	1 Back Table Cover, Reinforced 191 x 201 cm
89603	79603	1 Mayo Stand Cover 80 x 145 cm
89121	79122	1 Large Drape 152 x 193 cm
89053	79053	2 Tape Strips 10 x 55 cm
89278	79278	1 ORTHOARTS* Lower Extremity Drape 290 x 224 x 320 cm <ul style="list-style-type: none"> • Conformable Circular Fenestration 6 cm • Armboard Covers • CONTROL* Plus Fabric Reinforcement • Tube Holders • Heavy Duty Fabric



ORTHOARTS* PACK VII

CODE	DESCRIPTION	ITEMS/CASE
88203	ORTHOARTS* Pack VII	3
STERILE	NON-STERILE	CONTENTS
42224	42451	1 Back Table Cover, Reinforced 152 x 229 cm
89603	79603	1 Mayo Stand Cover 80 x 145 cm
89811	-	1 Impervious Stockinette, Medium 23 x 112 cm
89331	79330	1 Impervious Split Drape 152 x 178 cm: <ul style="list-style-type: none"> • 10 x 53 cm Split • Positioning Tape
89278	13233 (handi-bin)	1 ORTHOARTS* Lower Extremity Drape 290 x 320 x 224 cm: <ul style="list-style-type: none"> • Conformable Circular Fenestration 6 cm • Armboard Covers • CONTROL* Plus Fabric Reinforcement • Tube Holders • Heavy Duty Fabric
-	-	2 Iso-Seal Tape Strips 12 x 59 cm

All codes in **bold** indicate a sterile product.



KNEE PACK I

CODE	DESCRIPTION	ITEMS/CASE
7784	Knee Pack I	9
STERILE	NON-STERILE	CONTENTS
-	-	1 Sterilisation Wrap 89 x 89 cm
42222	42428	1 Back Table Cover, Reinforced 152 x 191 cm
89603	79603	1 Mayo Stand Cover 80 x 145 cm
89053	79053	2 Tape Strips 10 x 55 cm
89861	79861	1 Impervious Stretchable Stockinette, Small 17 x 76 cm
-	13232 (handi-bin)	1 Extremity Drape 264 x 193 x 315 cm: <ul style="list-style-type: none"> • Conformable Circular Fenestration 6 cm • Armboard Covers • CONTROL⁺ Plus Fabric Reinforcement • Tube Holders

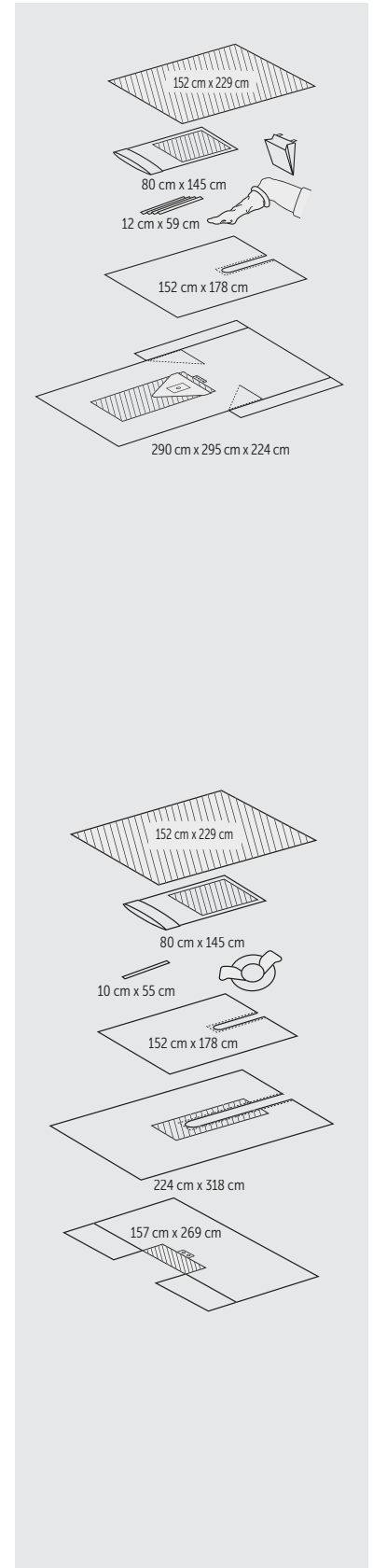
KNEE PACK II

CODE	DESCRIPTION	ITEMS/CASE
7785	Knee Pack II	7
STERILE	NON-STERILE	CONTENTS
-	-	1 Sterilisation Wrap 89 x 89 cm
42222	42428	1 Back Table Cover, Reinforced 152 x 191 cm
89101	79102	1 Half Drape 112 x 152 cm
89053	79053	2 Tape Strips 10 x 55 cm
89861	79861	1 Impervious Stretchable Stockinette, Small 17 x 76 cm
-	13232 (handi-bin)	1 Extremity Drape 264 x 193 x 315 cm: <ul style="list-style-type: none"> • Conformable Circular Fenestration 6 cm • Armboard Covers • CONTROL⁺ Plus Fabric Reinforcement • Tube Holders

All codes in **bold** indicate a sterile product.

ORTHOARTS* ARTHROSCOPY PACK II

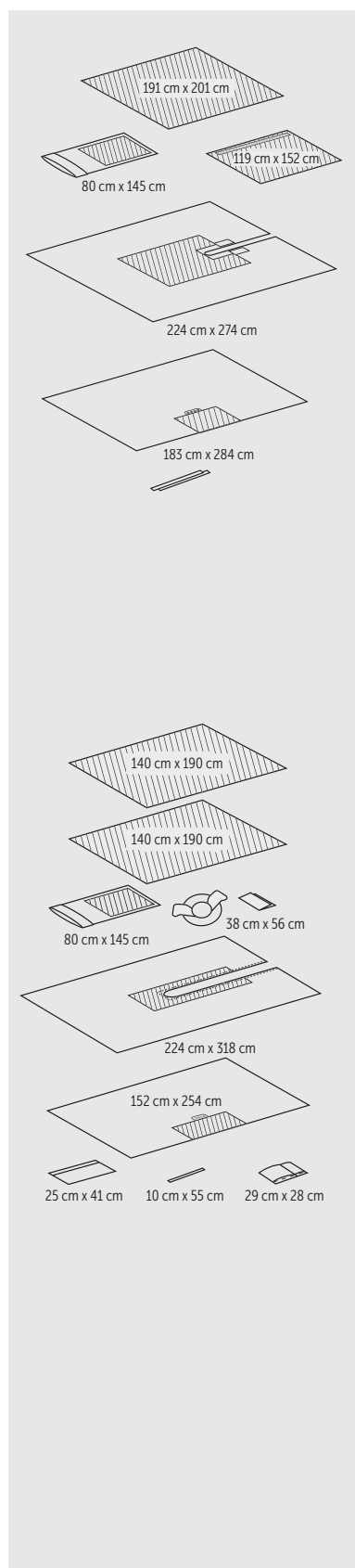
CODE	DESCRIPTION		ITEMS/CASE
88213	ORTHOARTS* Arthroscopy Pack II		4
STERILE	NON-STERILE	CONTENTS	
42224	42451	1 Back Table Cover, Reinforced 152 x 229 cm	
89603	79603	1 Mayo Stand Cover 80 x 145 cm	
-	-	1 Suture Bag	
-	-	4 Iso-Seal Tape Strips 12 x 59 cm	
89821	-	1 Impervious Stockinette, Large 30 x 122 cm	
89331	79330	1 Impervious Split Drape 152 x 178 cm: • 10 x 53 cm Split • Positioning Tape	
89267	79267	1 ORTHOARTS* Knee Arthroscopy Drape 290 x 295 x 224 cm: • Heavy Duty Fabric • Fluid Collection Pouch with Reflux Shields and Suction Port • Armboard Covers • CONTROL* Plus Fabric Reinforcement • Tube Holders	



HIP PACK

CODE	DESCRIPTION		ITEMS/CASE
77797	Hip Pack		4
STERILE	NON-STERILE	CONTENTS	
-	-	1 Sterilisation Wrap 96 x 96 cm	
42224	42451	1 Back Table Cover, Reinforced 152 x 229 cm	
89603	79603	1 Mayo Stand Cover 80 x 145 cm	
89053	79053	1 Tape Strip 10 x 55 cm	
89881	79881	1 Impervious Stretchable Stockinette, Large 25 x 121 cm	
89331	79330	1 Impervious Split Drape 152 x 178 cm: • 10 x 53 cm Split • Positioning Tape	
-	76368	1 Ortho U-Drape 224 x 318 cm: • 15 x 137 cm Split • Positioning Tape • CONTROL* Plus Fabric Reinforcement	
-	76363	1 Bar Drape 157 x 269 cm: • Armboard Covers • Positioning Tape • CONTROL* Plus Fabric Reinforcement • Tube Holders	

All codes in **bold** indicate a sterile product.



HIP PACK

CODE	DESCRIPTION	ITEMS/CASE
76249	Hip Pack	5
	STERILE	NON-STERILE
	42312	42313
	89603	79603
	-	-
	89347	79347
	89348	79348
	CONTENTS	
		1 Back Table Cover, Reinforced 191 x 201 cm
		1 Mayo Stand Cover 80 x 145 cm
		1 Drape 119 x 152 cm
		• CONTROL ⁺ Plus Fabric Reinforcement
		1 ORTHOARTS ⁺ U-Drape 224 x 274 cm
		• 12 x 101 cm Split
		• CONTROL ⁺ Plus Fabric Reinforcement
		• Positioning Tape
		• Heavy Duty Fabric
		1 ORTHOARTS ⁺ Bar Drape 183 x 284 cm
		• Heavy Duty Fabric
		• CONTROL ⁺ Plus Fabric Reinforcement
		• Positioning Tape
		• Tube Holders

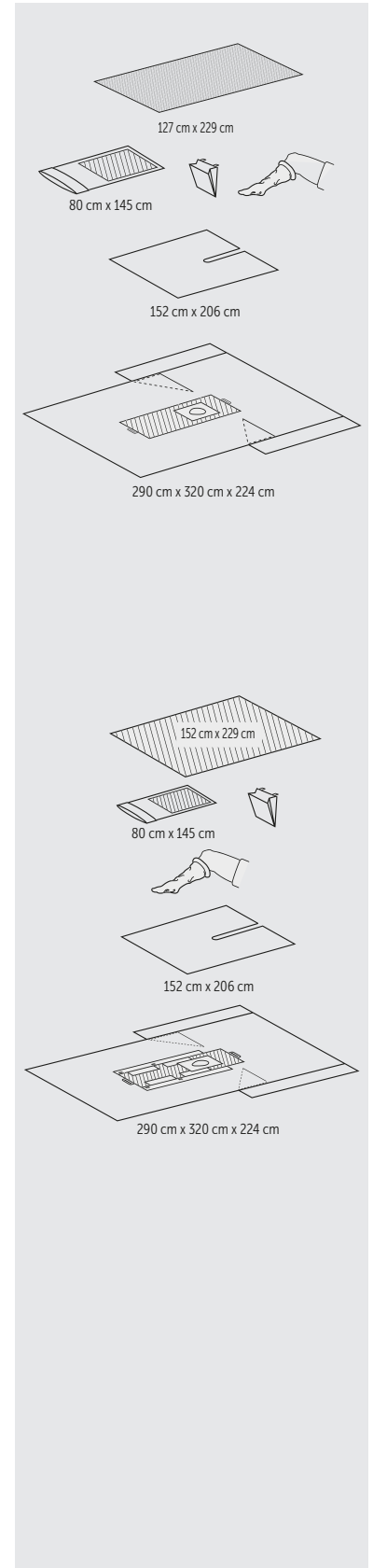
HIP PACK I

CODE	DESCRIPTION	ITEMS/CASE
76271	Hip Pack I	6
	STERILE	NON-STERILE
	42345	-
	89603	79603
	89881	79881
	89701	79720
	89311	79363
	89381	79360
	-	-
	89053	79053
	-	-
	CONTENTS	
		2 Back Table Covers, Reinforced 140 x 190 cm
		1 Mayo Stand Cover 80 x 145 cm
		1 Impervious Stretchable Stockinette, Large 25 x 121 cm
		1 Absorbent Towel 38 x 56 cm
		1 Ortho U-Drape 224 x 318 cm:
		• 15 x 137 cm Split
		• Positioning Tape
		• CONTROL ⁺ Plus Fabric Reinforcement
		1 Ortho Bar Drape 152 x 254 cm:
		• Positioning Tape
		• CONTROL ⁺ Fabric Reinforcement
		• Tube Holders
		1 Fluid Collection Pouch with Tape 25 x 41 cm
		1 Tape Strip 10 x 55 cm
		1 Diathermy Pouch 29 x 28 cm, Heavy Duty, Double Tape

All codes in **bold** indicate a sterile product.

ORTHOARTS* HIP PACK II

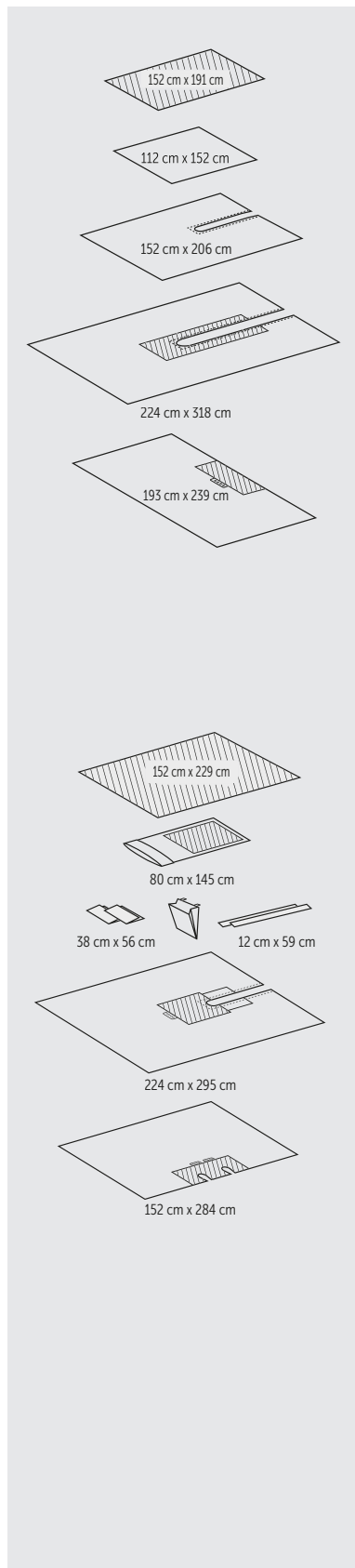
CODE	DESCRIPTION	ITEMS/CASE
88253	ORTHOARTS* Hip Pack II	4
STERILE	NON-STERILE	CONTENTS
-	42449	1 Back Table Cover, Reinforced 127 x 229 cm
89603	79603	1 Mayo Stand Cover 80 x 145 cm
-	-	1 Suture Bag
89821	-	1 Impervious Stockinette, Large 30 x 122 cm
-	79333	1 Large Impervious Split Drape 152 x 206 cm: <ul style="list-style-type: none"> • 11 x 78 cm Split • Positioning Tape
89346	79346	1 ORTHOARTS* Hip Drape 290 x 320 x 224 cm: <ul style="list-style-type: none"> • Heavy Duty Fabric • Armboard Covers • CONTROL* Plus Fabric Reinforcement • Tube Holders • Conformable Teardrop Fenestration



ORTHOARTS* HIP PACK

CODE	DESCRIPTION	ITEMS/CASE
88183	ORTHOARTS* Hip Pack	3
STERILE	NON-STERILE	CONTENTS
42224	42451	1 Back Table Cover, Reinforced 152 x 229 cm
89603	79603	1 Mayo Stand Cover 80 x 145 cm
-	-	1 Suture Bag
89821	-	1 Impervious Stockinette, Large 30 x 122 cm
-	79333	1 Large Impervious Split Drape 152 x 206 cm: <ul style="list-style-type: none"> • 11 x 78 cm Split • Positioning Tape
89345	79345	1 ORTHOARTS* Hip Drape with Pockets 290 x 320 x 224 cm: <ul style="list-style-type: none"> • Heavy Duty Fabric • Armboard Covers • CONTROL* Plus Fabric Reinforcement • Tube Holders • Pockets on both sides • Conformable Teardrop Fenestration

All codes in **bold** indicate a sterile product.



ORTHO MAJOR PACK III

CODE	DESCRIPTION		ITEMS/CASE
88373	ORTHO Major Pack III		7
	STERILE	NON-STERILE	CONTENTS
-	-	-	1 Sterilisation Wrap 115 x 115 cm
42222	-	42428	1 Back Table Cover, Reinforced 152 x 191 cm
89101	-	79102	1 Half Drape 112 x 152 cm
-	-	79333	1 Large Impervious Split Drape 152 x 206 cm: <ul style="list-style-type: none"> • 11 x 78 cm Split • Positioning Tape
-	-	76368	1 Ortho U-Drape 224 x 318 cm: <ul style="list-style-type: none"> • 15 x 137 cm Split • Positioning Tape • CONTROL* Plus Fabric Reinforcement
-	-	78961	1 Top Drape 193 x 239 cm: <ul style="list-style-type: none"> • Positioning Tape • CONTROL* Plus Fabric Reinforcement • Tube Holders

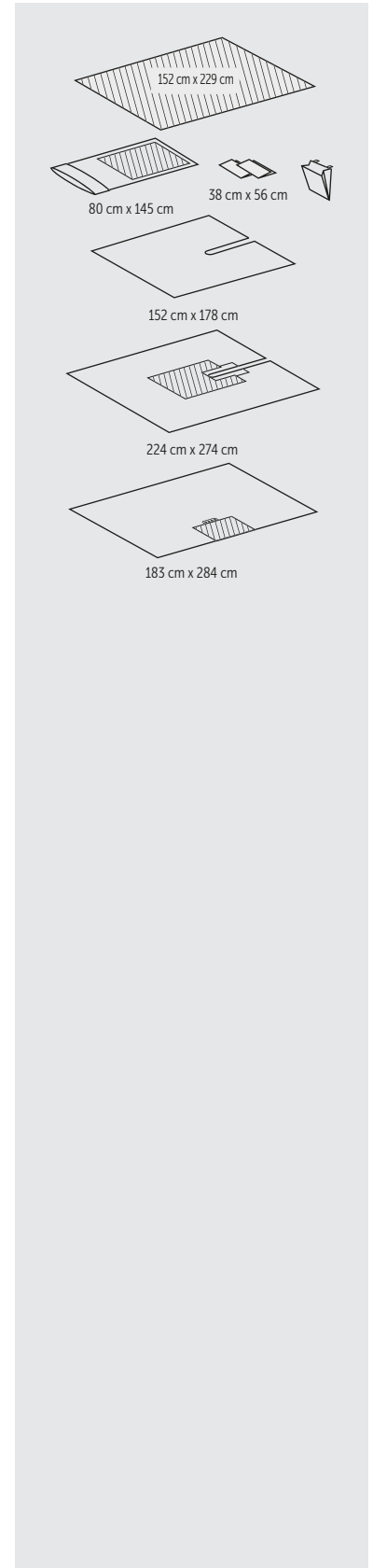
ORTHOARTS* SHOULDER PACK II

CODE	DESCRIPTION		ITEMS/CASE
88243	ORTHOARTS* Shoulder Pack II		5
	STERILE	NON-STERILE	CONTENTS
42224	-	42451	1 Back Table Cover, Reinforced 152 x 229 cm
89603	-	79603	1 Mayo Stand Cover 80 x 145 cm
89701	-	79720	2 Absorbent Towels 38 x 56 cm
-	-	-	1 Suture Bag
-	-	-	2 Iso-Seal Tape Strips 12 x 59 cm
89275	-	79275	1 ORTHOARTS* Body Split Drape 224 x 295 cm: <ul style="list-style-type: none"> • Heavy Duty Fabric • CONTROL* Plus Fabric Reinforcement • Positioning Tape • Tube Holders
-	-	-	1 ORTHOARTS* Shoulder Split Drape 152 x 284 cm: <ul style="list-style-type: none"> • Heavy Duty Fabric • CONTROL* Plus Fabric Reinforcement • 15 x 20 cm Bilateral Split • Positioning Tape • Tube Holders

All codes in **bold** indicate a sterile product.

ORTHOARTS* U-BAR* PACK

CODE	DESCRIPTION		ITEMS/CASE
88233	ORTHOARTS* U-BAR* Pack		4
	STERILE	NON-STERILE	CONTENTS
42224		42451	1 Back Table Cover, Reinforced 152 x 229 cm
89603		79603	1 Mayo Stand Cover 80 x 145 cm
89701		79720	2 Absorbent Towels 38 x 56 cm
-		-	1 Suture Bag
89331		79330	1 Impervious Split Drape 152 x 178 cm: <ul style="list-style-type: none"> • 10 x 53 cm Split • Positioning Tape
-		13294 (handi-bin)	1 ORTHOARTS* U-Drape 224 x 274 cm: <ul style="list-style-type: none"> • Heavy Duty Fabric • CONTROL* Fabric Reinforcement • Positioning Tape
89348		79348	1 ORTHOARTS* Bar Drape 183 x 284 cm: <ul style="list-style-type: none"> • Heavy Duty Fabric • CONTROL* Fabric Reinforcement • Positioning Tape • Tube Holders



All codes in **bold** indicate a sterile product.

ORTHOPAEDIC DRAPES

ORTHOARTS* SPLIT / BAR DRAPES

ORTHOARTS* BODY SPLIT DRAPE, 224 X 295 CM

- 11 x 69 cm Split
- Heavy-Duty Fabric
- CONTROL*Plus Fabric Reinforcement 61 x 56 cm
- Tube Holders
- Positioning Tape

CODE	DESCRIPTION	ITEMS/CASE
89275	ORTHOARTS* Body Split Drape, Sterile	10
79275	ORTHOARTS* Body Split Drape, Non-Sterile	12

ORTHOARTS* BAR DRAPE, 284 X 183 CM

- Heavy-Duty Fabric
- CONTROL* Plus Fabric Reinforcement 41 x 61 cm
- Tube Holders
- Positioning Tape

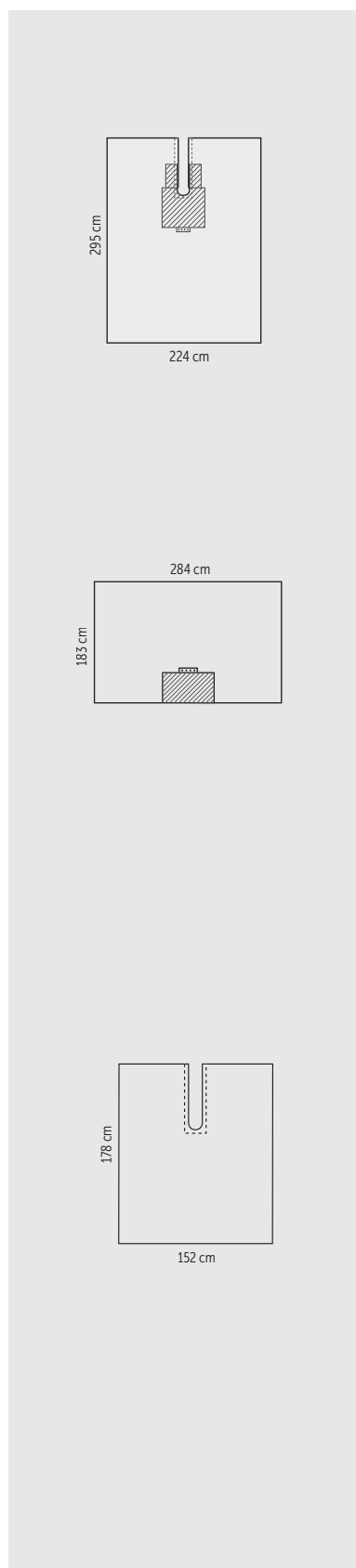
CODE	DESCRIPTION	ITEMS/CASE
89348	ORTHOARTS* Bar Drape, Sterile	12
79348	ORTHOARTS* Bar Drape, Non-Sterile	14

IMPERVIOUS SPLIT DRAPES

IMPERVIOUS SPLIT DRAPE, 152 X 178 CM

- 10 x 53 cm Split
- Positioning Tape

CODE	DESCRIPTION	ITEMS/CASE
89331	Impervious Split Drape, Sterile	42
79330	Impervious Split Drape, Non-Sterile	115



All codes in **bold** indicate a sterile product.

HALYARD BASICS* IMPERVIOUS SPLIT DRAPE, 152 X 178 CM

- 10 x 53 cm Split
- Poly
- Positioning Tape

CODE	DESCRIPTION	ITEMS/CASE
78660	HALYARD BASICS* Impervious Split Drape, Non-Sterile	65

LARGE IMPERVIOUS SPLIT DRAPE, 152 X 206 CM

- 11 x 78 cm Split
- Positioning Tape

CODE	DESCRIPTION	ITEMS/CASE
79333	Large Impervious Split Drape, Non-Sterile	100

EXTREMITY DRAPES

BILATERAL LIMB DRAPE, 193 X 305 CM

- CONTROL* Plus Fabric Reinforcement 102 x 81 cm
- Two Conformable Circular Fenestrations, 6 cm
- Tube Holders

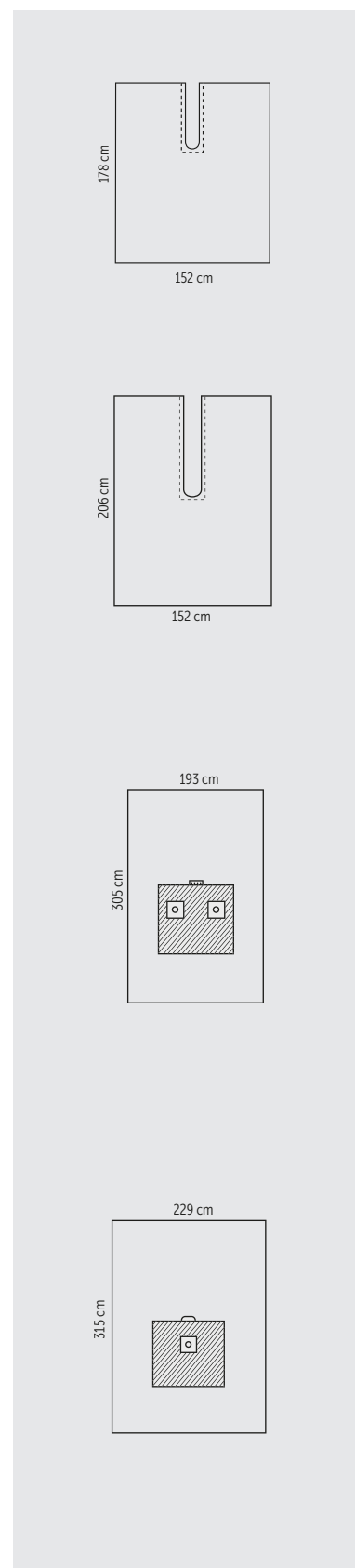
CODE	DESCRIPTION	ITEMS/CASE
89291	Bilateral Limb Drape, Sterile	14

LOWER EXTREMITY DRAPES

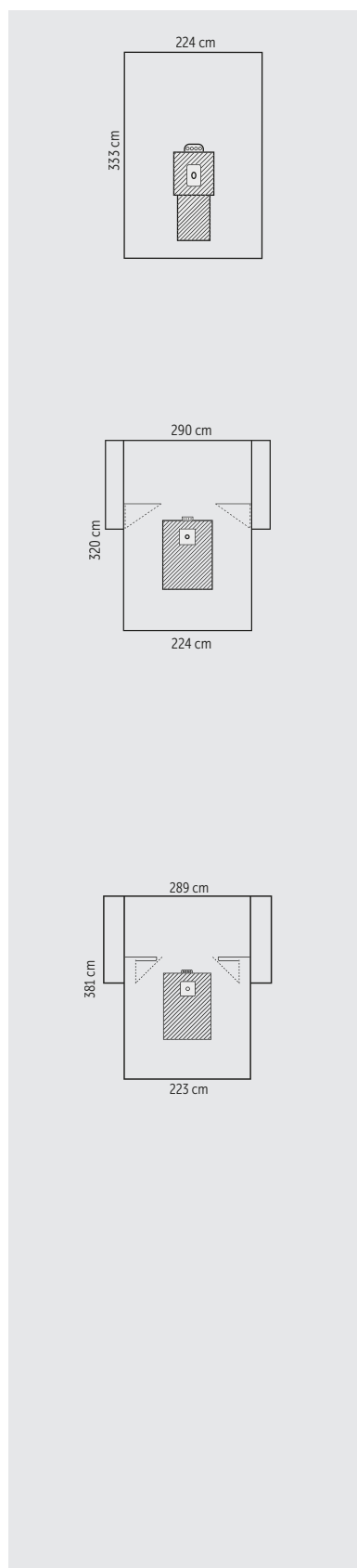
UNIVERSAL EXTREMITY DRAPE, 229 X 315 CM

- CONTROL* Plus Fabric Reinforcement 122 x 71 cm
- Conformable Circular Fenestration 6 cm
- Tube Holders

CODE	DESCRIPTION	ITEMS/CASE
89279	Universal Extremity Drape, Sterile	14
79279	Universal Extremity Drape, Non-Sterile	150



All codes in **bold** indicate a sterile product.



LOWER EXTREMITY DRAPE, 224 X 333 CM

- CONTROL⁺ Plus Fabric Reinforcement 81 x 81 cm
- Conformable Circular Fenestration 6 cm
- Tube Holders

CODE	DESCRIPTION	ITEMS/CASE
89276	Lower Extremity Drape, Sterile	14
13228	Lower Extremity Drape, Non-Sterile - handi-bin	192

ORTHOARTS^{*} LOWER EXTREMITY DRAPE, 290 X 320 X 224 CM

- Armboard Covers
- Conformable Circular Fenestration 6 cm
- Heavy-Duty Fabric
- CONTROL⁺ Plus Fabric Reinforcement 91 x 122 cm
- Tube Holders

CODE	DESCRIPTION	ITEMS/CASE
89278	ORTHOARTS [*] Lower Extremity Drape, Sterile	7
13233	ORTHOARTS [*] Lower Extremity Drape, Non-Sterile - handi-bin	84

ORTHOARTS^{*} EXTRA LONG LOWER EXTREMITY DRAPE, 289 X 381 X 223 CM

- Heavy-duty SMS
- Absorbent CONTROL⁺ Plus fabric reinforcement
- Elastic film with 6 cm circular fenestration
- Armboard covers
- Tube holders
- Extra length for coverage where needed

CODE	DESCRIPTION	ITEMS/CASE
29219	ORTHOARTS [*] Extra Long Lower Extremity Drape, Sterile	8
29220	ORTHOARTS [*] Extra Long Lower Extremity Drape, Non-Sterile	8

All codes in **bold** indicate a sterile product.

EXTRA LONG LOWER EXTREMITY DRAPE, 290 X 366 X 203 CM

- Heavy-duty SMS
- Absorbent CONTROL* Plus fabric reinforcement
- Elastic film with 6 cm circular fenestration
- Armboard covers
- Tube holders
- Extra length for coverage where needed

CODE	DESCRIPTION	ITEMS/CASE
29222	Extra Long Lower Extremity Drape, Sterile	13
29223	Extra Long Lower Extremity Drape, Non-Sterile	14

UPPER EXTREMITY DRAPES

UPPER EXTREMITY DRAPE, 193 X 305 CM

- CONTROL* Plus Fabric Reinforcement 61 x 102 cm
- Conformable Circular Fenestration 3 cm
- Tube Holders

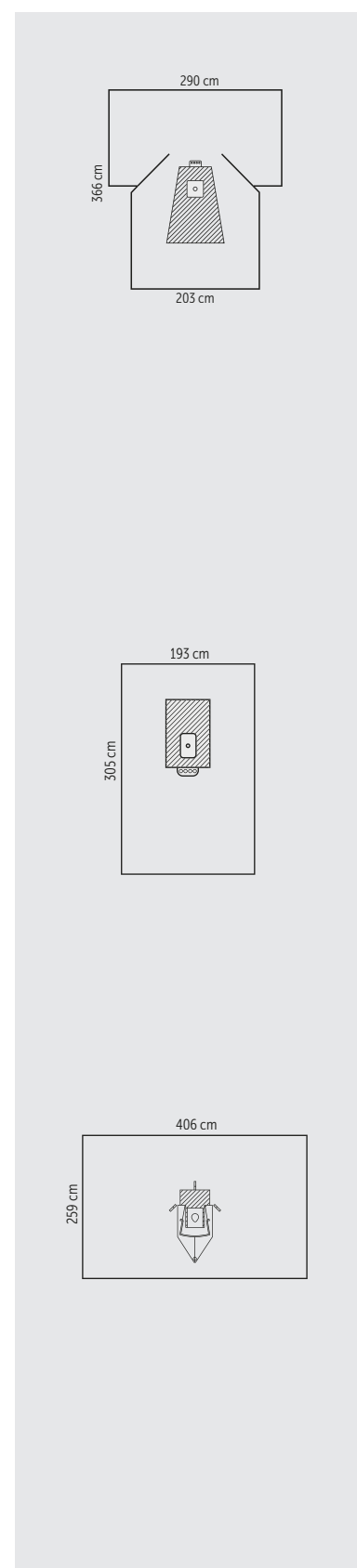
CODE	DESCRIPTION	ITEMS/CASE
89271	Upper Extremity Drape, Sterile	14
79273	Upper Extremity Drape, Non-Sterile	20

SHOULDER DRAPES

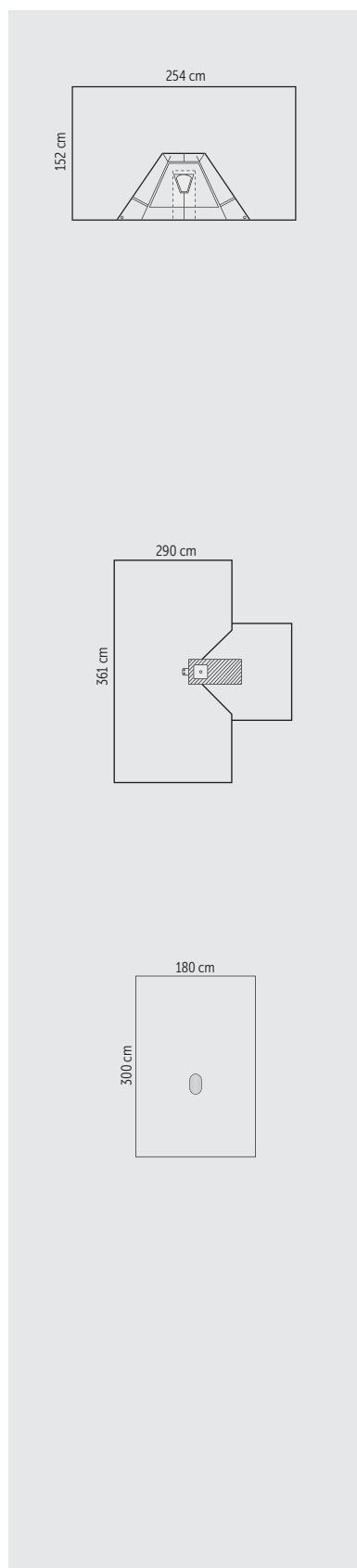
SHOULDER ARTHROSCOPY DRAPE, 406 X 259 CM

- Attached Fluid Collection Pouch with Suction Port
- Hook and Loop Tube and Line Control
- Conformable Tear Drop Fenestration 6 cm
- Instrument Pad Fabric Reinforcement 53 x 66 cm

CODE	DESCRIPTION	ITEMS/CASE
89070	Shoulder Arthroscopy Drape, Sterile	10
79070	Shoulder Arthroscopy Drape, Non-Sterile	12



All codes in **bold** indicate a sterile product.



ORTHOARTS* SHOULDER ARTHROSCOPY DRAPE, 254 X 152 CM

- Attached Fluid Collection Pouch with Suction Ports
- Heavy-Duty Fabric
- Positioning Tape

CODE	DESCRIPTION	ITEMS/CASE
89492	ORTHOARTS* Shoulder Arthroscopy Drape, Sterile	12
79492	ORTHOARTS* Shoulder Arthroscopy Drape, Non-Sterile	15

HAND DRAPES

HAND DRAPE, 290 X 361 CM

- CONTROL* Plus Fabric Reinforcement 86 x 41 cm
- Conformable Circular Fenestration 3 cm
- Gusseted Hand Table Cover 157 x 147 cm
- Tube Holders
- Positioning Tape

CODE	DESCRIPTION	ITEMS/CASE
77450	Hand Drape, Sterile	11
13227	Hand Drape, Non-Sterile - handi-bin	108

HALYARD BASICS* HAND & FOOT DRAPE, 180 X 300 CM

- Conformable Circular Fenestration 3 cm, centered
- Spunbond Film

CODE	DESCRIPTION	ITEMS/CASE
89673	HALYARD BASICS* Hand & Foot Drape, Sterile	20

All codes in **bold** indicate a sterile product.

HIP DRAPES

ORTHOARTS* HIP DRAPE, 290 X 320 X 224 CM

- Armboard Covers
- Conformable Teardrop Fenestration 21 x 17 cm
- Heavy-Duty Fabric
- CONTROL* Plus Fabric Reinforcement 152 x 61 cm
- Tube Holders

CODE	DESCRIPTION	ITEMS/CASE
89346	ORTHOARTS* Hip Drape, Sterile	7
79346	ORTHOARTS* Hip Drape, Non-Sterile	7

ORTHOARTS* HIP DRAPE WITH POCKETS, 290 X 320 X 224 CM

- Pockets on Both Sides
- Armboard Covers
- Conformable Teardrop Fenestration 21 x 17 cm
- Heavy-Duty Fabric
- CONTROL* Plus Fabric Reinforcement 61 x 152 cm
- Tube Holders

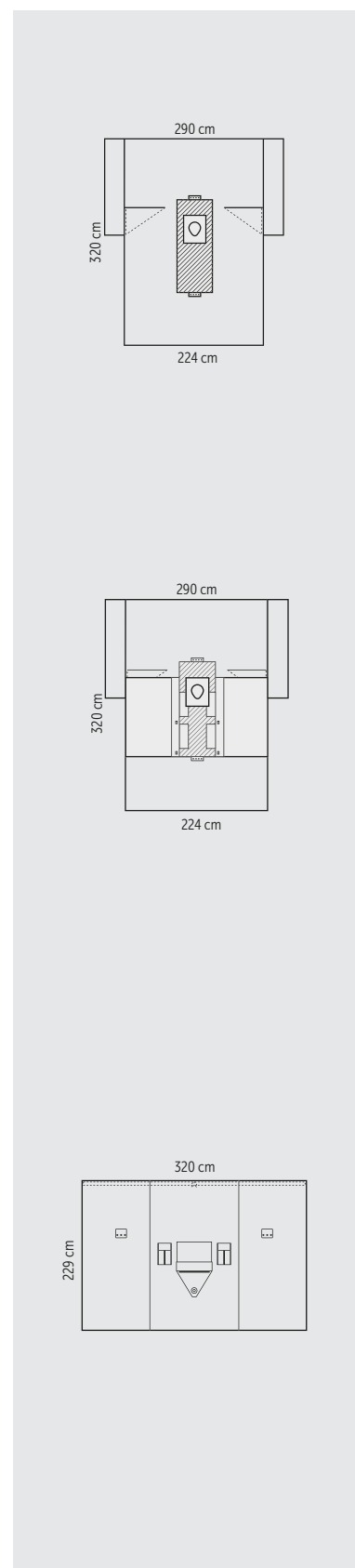
CODE	DESCRIPTION	ITEMS/CASE
89345	ORTHOARTS* Hip Drape With Pockets, Sterile	6
79345	ORTHOARTS* Hip Drape With Pockets, Non-Sterile	6

VERTICAL ISOLATION DRAPES

VERTICAL ISOLATION DRAPE, 320 X 229 CM

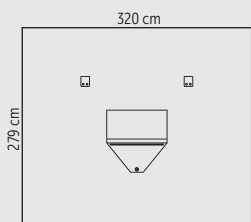
- Clear Film
- Adhesive Incise Area 41 x 76 cm
- Fluid Collection Pouch With Suction Port
- Tube Holders
- With Tape Strip for Attachment to Horizontal Rod
- Attachable Instrument Pouch

CODE	DESCRIPTION	ITEMS/CASE
77723	Vertical Isolation Drape, Sterile	14
76375 [†]	Vertical Isolation Drape, Non-Sterile	15



All codes in **bold** indicate a sterile product.

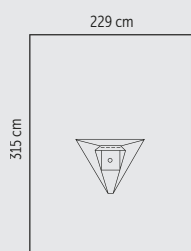
[†] Expect a longer lead time.



VERTICAL ISOLATION DRAPE, 320 X 279 CM

- Clear Film
- Adhesive Incise Area
- Fluid Collection Pouch With Suction Port
- Tube Holders
- With Tape Strip for Attachment to Horizontal Rod

CODE	DESCRIPTION	ITEMS/CASE
33415	Vertical Isolation Drape, Sterile	9
33412	Vertical Isolation Drape, Non-Sterile	11

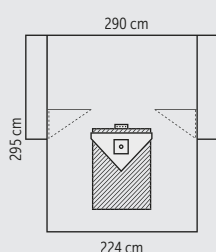


KNEE ARTHROSCOPY DRAPES

KNEE ARTHROSCOPY DRAPE, 229 X 315 CM

- Attached Fluid Collection Pouch with Suction Port
- Conformable Circular Fenestration 6 cm
- Tube Holders

CODE	DESCRIPTION	ITEMS/CASE
89265	Knee Arthroscopy Drape, Sterile	10
79265	Knee Arthroscopy Drape, Non-Sterile	150



ORTHOARTS* KNEE ARTHROSCOPY DRAPE, 290 X 295 X 224 CM

- Armboard Covers
- Fluid Collection Pouch With Reflux Shields and Suction Port
- Heavy-Duty Fabric
- CONTROL* Plus Fabric Reinforcement 91 x 121 cm
- Tube Holders

CODE	DESCRIPTION	ITEMS/CASE
89267	ORTHOARTS* Knee Arthroscopy Drape, Sterile	7
79267	ORTHOARTS* Knee Arthroscopy Drape, Non-Sterile	7

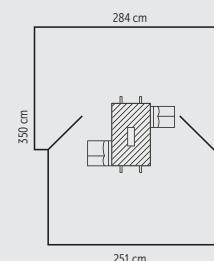
All codes in **bold** indicate a sterile product.

UNIVERSAL SPINE DRAPES

UNIVERSAL SPINE DRAPE, 284 X 350 X 251 CM

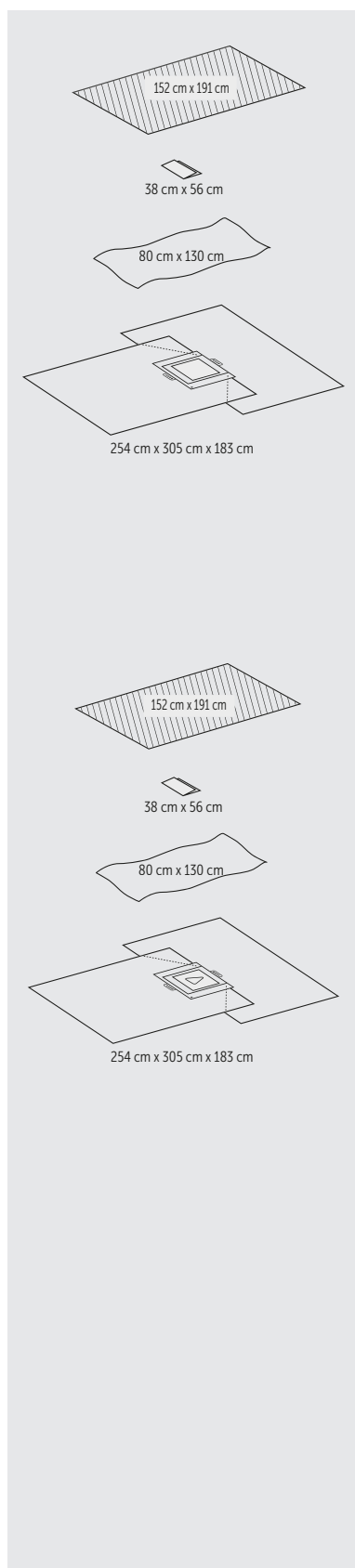
- SMS
- Absorbent CONTROL⁺ Plus fabric reinforcement
- 10 x 30 cm fenestration
- Armboard covers
- Hook-n-loop tube holders
- Clear instrument pouch

CODE	DESCRIPTION	ITEMS/CASE
29221	Universal Spine Drape, Sterile	8
29224 [†]	Universal Spine Drape, Non-Sterile	9



GYNAECOLOGY & OBSTETRICS

GYNAECOLOGY & OBSTETRICS PACKS



C-SECTION PACK I

CODE	DESCRIPTION	ITEMS/CASE
77454	C-Section Pack I	9
STERILE	NON-STERILE	CONTENTS
-	-	1 Sterilisation Wrap 96 x 96 cm
42222	42428	1 Back Table Cover, Reinforced 152 x 191 cm
89701	79720	1 Absorbent Towel 38 x 56 cm
-	76394	1 Baby Blanket 80 x 130 cm: <ul style="list-style-type: none"> • Absorbent
89529	79529	1 C-Section Fluid Collection Drape 254 x 305 x 183 cm: <ul style="list-style-type: none"> • Full Adhesive Incise Area • Fluid Collection Pouch with Suction Port and Malleable Band • Armboard Covers • Tube Holders

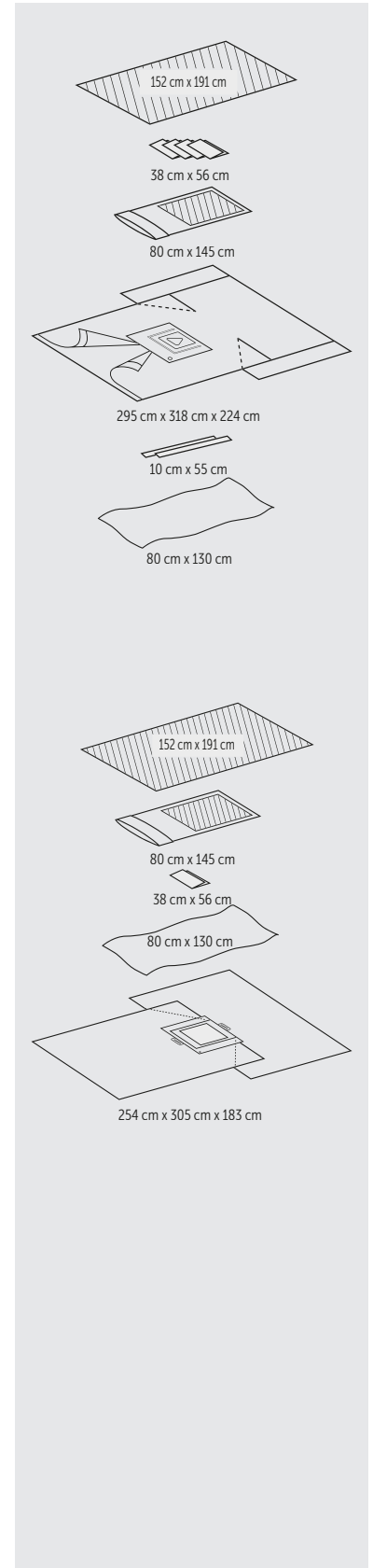
C-SECTION PACK II

CODE	DESCRIPTION	ITEMS/CASE
77455	C-Section Pack II	8
STERILE	NON-STERILE	CONTENTS
-	-	1 Sterilisation Wrap 96 x 96 cm
42222	42428	1 Back Table Cover, Reinforced 152 x 191 cm
89701	79720	1 Absorbent Towel 38 x 56 cm
-	76394	1 Baby Blanket 80 x 130 cm: <ul style="list-style-type: none"> • Absorbent
89528	79528	1 C-Section Fluid Collection Drape 254 x 305 x 183 cm: <ul style="list-style-type: none"> • Triangular Fenestrated Adhesive Incise Area • Fluid Collection Pouch with Suction Port and Malleable Band • Armboard Covers • Tube Holders

All codes in **bold** indicate a sterile product.

C-SECTION PACK III

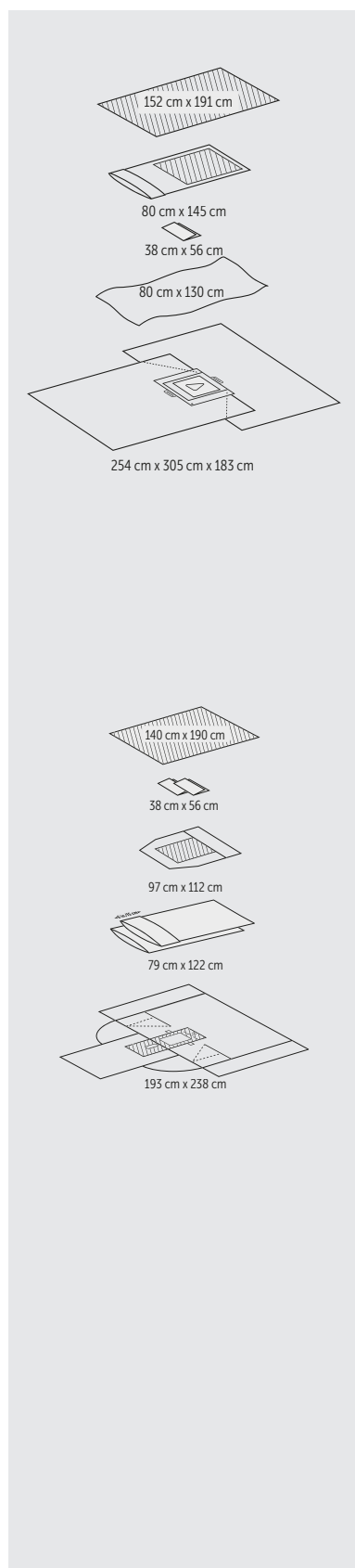
CODE	DESCRIPTION	ITEMS/CASE
88354	C-Section Pack III	11
STERILE	NON-STERILE	CONTENTS
42222	42428	1 Back Table Cover, Reinforced 152 x 191 cm
89603	79603	1 Mayo Stand Cover 80 x 145 cm
89701	79720	4 Absorbent Towels 38 x 56 cm
77353	76353	1 C-Section Drape with Attached Leggings 295 x 318 x 224 cm: <ul style="list-style-type: none"> • Armboard Covers • Attached Leggings • 36 x 33 cm Adhesive Incise Area with Triangular Fenestration • Fluid Collection Pouch with Suction Port
-	76394	1 Baby Blanket 80 x 130 cm: <ul style="list-style-type: none"> • Absorbent
89053	79053	2 Tape Strips 10 x 55 cm



C-SECTION PACK IV

CODE	DESCRIPTION	ITEMS/CASE
77491	C-Section Pack IV	10
STERILE	NON-STERILE	CONTENTS
-	-	1 Sterilisation Wrap 96 x 96 cm
42222	42428	1 Back Table Cover, Reinforced 152 x 191 cm
89603	79603	1 Mayo Stand Cover 80 x 145 cm
89701	79720	1 Absorbent Towel 38 x 56 cm
-	76394	1 Baby Blanket 80 x 130 cm: <ul style="list-style-type: none"> • Absorbent
89529	79529	1 C-Section Fluid Collection Drape 254 x 305 x 183 cm: <ul style="list-style-type: none"> • Full Adhesive Incise Area • Fluid Collection Pouch with Suction Port and Malleable Band • Armboard Covers • Tube Holders

All codes in **bold** indicate a sterile product.



C-SECTION PACK V

CODE	DESCRIPTION		ITEMS/CASE
77492	C-Section Pack V		8
	STERILE	NON-STERILE	CONTENTS
	-	-	1 Sterilisation Wrap 96 x 96 cm
	42222	42428	1 Back Table Cover, Reinforced 152 x 191 cm
	89603	79603	1 Mayo Stand Cover 80 x 145 cm
	89701	79720	1 Absorbent Towel 38 x 56 cm
	-	76394	1 Baby Blanket 80 x 130 cm: • Absorbent
	89528	79528	1 C-Section Fluid Collection Drape 254 x 305 x 183 cm: • Triangular Fenestrated Adhesive Incise Area • Fluid Collection Pouch with Suction Port and Malleable Band • Armboard Covers • Tube Holders

GYNAECOLOGY PACK

CODE	DESCRIPTION		ITEMS/CASE
77865	Gynaecology Pack		10
	STERILE	NON-STERILE	CONTENTS
	-	-	1 Sterilisation Wrap 96 x 96 cm
	42345	42365	1 Back Table Cover, Reinforced 140 x 190 cm
	89701	79720	2 Absorbent Towels 38 x 56 cm
	-	79411	1 Under Buttocks Drape, Zone Reinforced, Medium, 97 x 112 cm
	89408	79408	2 Leggings 79 x 122 cm: • With 15 cm Cuff
	-	-	1 Coeloscopy Sheet 193 x 238 cm

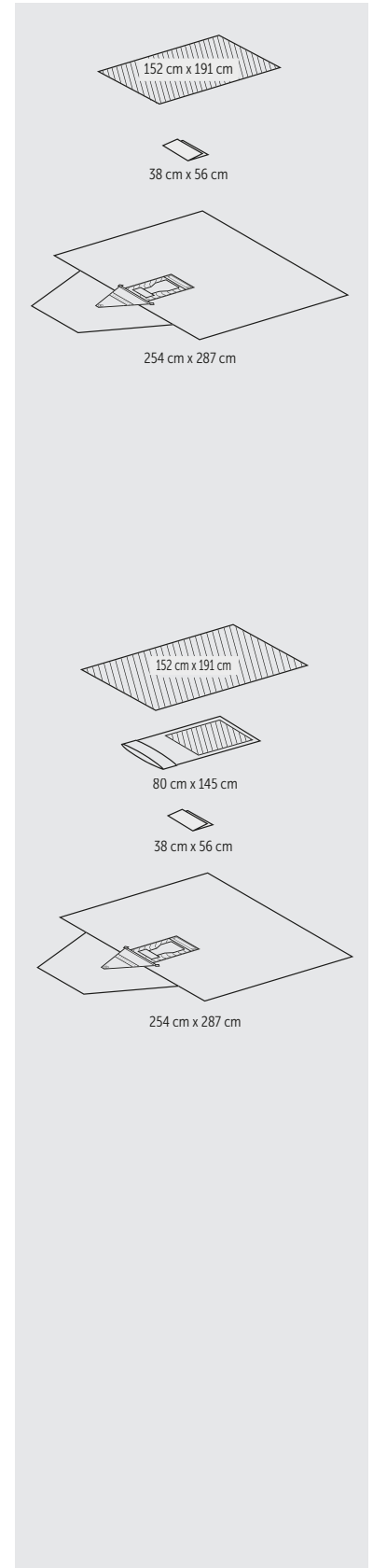
All codes in **bold** indicate a sterile product.

GYNAECOLOGY/UROLOGY PACK I

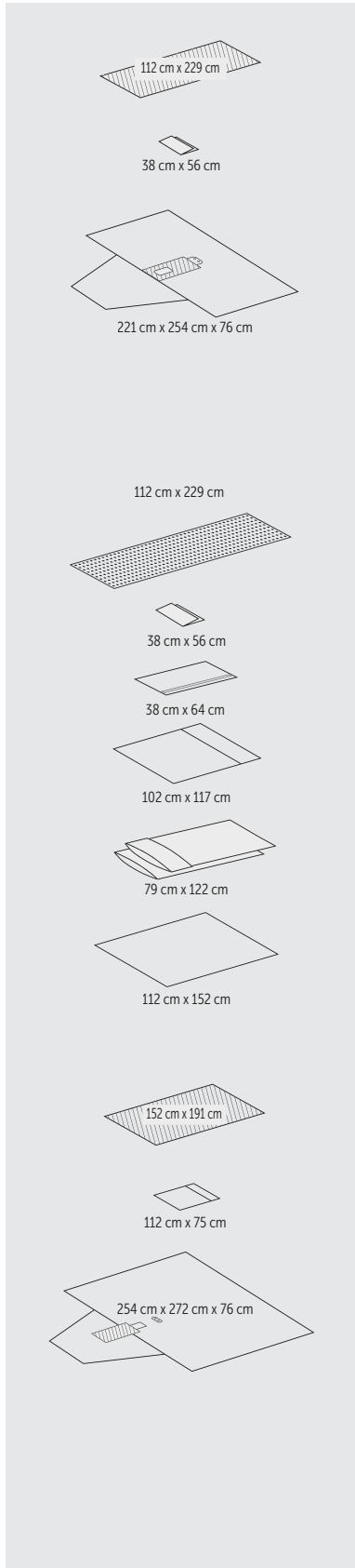
CODE	DESCRIPTION		ITEMS/CASE
77888	Gynaecology/Urology Pack I		12
STERILE	NON-STERILE	CONTENTS	
-	-	1 Sterilisation Wrap 96 x 96 cm	
42222	42428	1 Back Table Cover, Reinforced 152 x 191 cm	
89701	79720	1 Absorbent Towel 38 x 56 cm	
-	76888	1 Gynaecology/Urology Drape 254 x 287 cm: <ul style="list-style-type: none"> • Adjustable Fenestration with Flap • Fluid Collection Pouch with Screen and Suction Port • With Attached Leggings • Perineal Incise Film • CONTROL[®] Fabric Reinforcement • Positioning Tape 	

GYNAECOLOGY/UROLOGY PACK II

CODE	DESCRIPTION		ITEMS/CASE
77890	Gynaecology/Urology Pack II		11
STERILE	NON-STERILE	CONTENTS	
-	-	1 Sterilisation Wrap 96 x 96 cm	
42222	42428	1 Back Table Cover, Reinforced 152 x 191 cm	
89603	79603	1 Mayo Stand Cover 80 x 145 cm	
89701	79720	1 Absorbent Towel 38 x 56 cm	
-	76888	1 Gynaecology/Urology Drape 254 x 287 cm: <ul style="list-style-type: none"> • Adjustable Fenestration with Flap • Fluid Collection Pouch with Screen and Suction Port • With Attached Leggings • Perineal Incise Film • CONTROL[®] Fabric Reinforcement • Positioning Tape 	



All codes in **bold** indicate a sterile product.



LITHOTOMY PACK I

CODE	DESCRIPTION	ITEMS/CASE
88511	Lithotomy Pack I	10
STERILE	NON-STERILE	CONTENTS
42217	42448	1 Back Table Cover, Reinforced 112 x 229 cm
89701	79720	1 Absorbent Towel 38 x 56 cm
-	-	1 Lithotomy Drape with Attached Leggings, 221 x 254 x 76 cm: <ul style="list-style-type: none"> • 15 x 7 cm Perineal Fenestration • Positioning Tape • CONTROL⁺ Fabric Reinforcement • Tube Holders

LITHOTOMY PACK II

CODE	DESCRIPTION	ITEMS/CASE
88521	Lithotomy Pack II	10
STERILE	NON-STERILE	CONTENTS
42217	42448	1 Back Table Cover, Reinforced 112 x 229 cm
89701	79720	1 Absorbent Towel 38 x 56 cm
-	79731	1 Utility Drape with Tape, 38 x 64 cm
-	-	1 Under Buttocks Drape, Zone Reinforced, Medium 102 x 117 cm
89408	79408	2 Leggings 79 x 122 cm: <ul style="list-style-type: none"> • With 15 cm Cuff
89101	79102	1 Half Drape 112 x 152 cm

LITHOTOMY PACK IV

CODE	DESCRIPTION	ITEMS/CASE
77779	Lithotomy Pack IV	12
STERILE	NON-STERILE	CONTENTS
-	-	1 Sterilisation Wrap 89 x 89 cm
42222	42428	1 Back Table Cover, Reinforced 152 x 191 cm
89411	-	1 Under Buttocks Drape, Zone Reinforced, Medium 112 x 75 cm
-	76384	1 Lithotomy Drape with Attached Leggings, 254 x 272 x 76 cm: <ul style="list-style-type: none"> • Tape around Fenestration • CONTROL⁺ Plus Fabric Reinforcement • Tube Holders

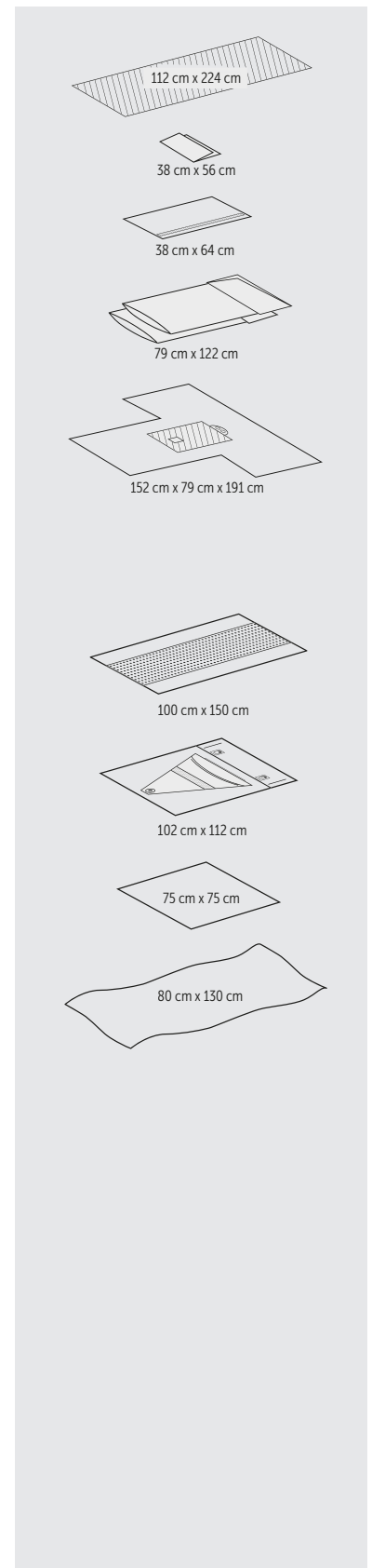
All codes in **bold** indicate a sterile product.

LITHOTOMY PACK V

CODE	DESCRIPTION	ITEMS/CASE
88551	Lithotomy Pack V	12
STERILE	NON-STERILE	CONTENTS
-	42302	1 Back Table Cover, Reinforced 112 x 224 cm
89701	79720	1 Absorbent Towel 38 x 56 cm
-	79731	1 Utility Drape with Tape, 38 x 64 cm
89408	79408	2 Leggings 79 x 122 cm: • With 15 cm Cuff
-	79551	1 Lithotomy T-Drape 152 x 79 x 191 cm: • 7 x 15 cm Fenestration • Positioning Tape • CONTROL [®] Fabric Reinforcement • Tube Holders

HALYARD BASICS* DELIVERY PACK

CODE	DESCRIPTION	ITEMS/CASE
88911	HALYARD BASICS* Delivery Pack	5
STERILE	NON-STERILE	CONTENTS
89632	79741	1 Back Table Cover, Zone Reinforced 100 x 150 cm
89677	79699	1 Utility Drape 75 x 75 cm
89584	-	1 Under Buttocks Drape 102 x 112 cm: • With Graduated Fluid Collection Pouch • Spunbond
-	-	1 Baby Blanket

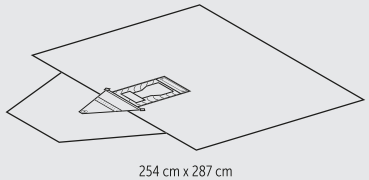


All codes in **bold** indicate a sterile product.

GYNAECOLOGY & OBSTETRICS DRAPES

GYNAECOLOGY/UROLOGY DRAPES

GYNAECOLOGY/UROLOGY DRAPE, 254 X 287 CM

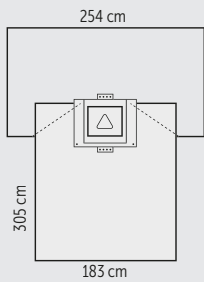


- Perineal Incise Film
- Fluid Collection Pouch with Screen and Suction Port
- CONTROL⁺ Fabric Reinforcement 39 x 72 cm
- Adjustable Fenestration with Flap
- Attached Leggings
- Positioning Tape

CODE	DESCRIPTION	ITEMS/CASE
76888	Gynaecology/Urology Drape, Non-Sterile	22

C-SECTION DRAPES

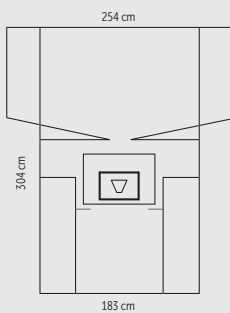
C-SECTION FLUID COLLECTION DRAPE, 254 X 305 X 183 CM



- Triangular Fenestrated Adhesive Incise Area
- Fluid Collection Pouch with Suction Port and Malleable Band
- Tube Holders
- Armboard Covers

CODE	DESCRIPTION	ITEMS/CASE
89528	C-Section Fluid Collection Drape With Fenestration, Sterile	8
79528	C-Section Fluid Collection Drape With Fenestration, Non-Sterile	150

C-SECTION DRAPE, 254 X 304 X 183 CM



- SMS
- Fluid Collection Pouch
- CONTROL⁺ Fabric Reinforcement
- 16.5 x 20 cm Fenestration
- Attached Leggings

CODE	DESCRIPTION	ITEMS/CASE
K797212	C-Section Drape, Non-Sterile	8

All codes in **bold** indicate a sterile product.

C-SECTION FLUID COLLECTION DRAPE, 254 X 305 X 183 CM

- Full Adhesive Incise Area
- Fluid Collection Pouch with Suction Port and Malleable Band
- Tube Holders
- Armboard Covers

CODE	DESCRIPTION	ITEMS/CASE
89529	C-Section Fluid Collection Drape, Sterile	8
79529	C-Section Fluid Collection Drape, Non-Sterile	150

C-SECTION DRAPE WITH ATTACHED LEGGINGS, 295 X 318 X 224 CM

- Armboard Covers
- Attached Leggings
- 36 x 33 cm Adhesive Incise Area with Triangular Fenestration
- Fluid Collection Pouch with Suction Port

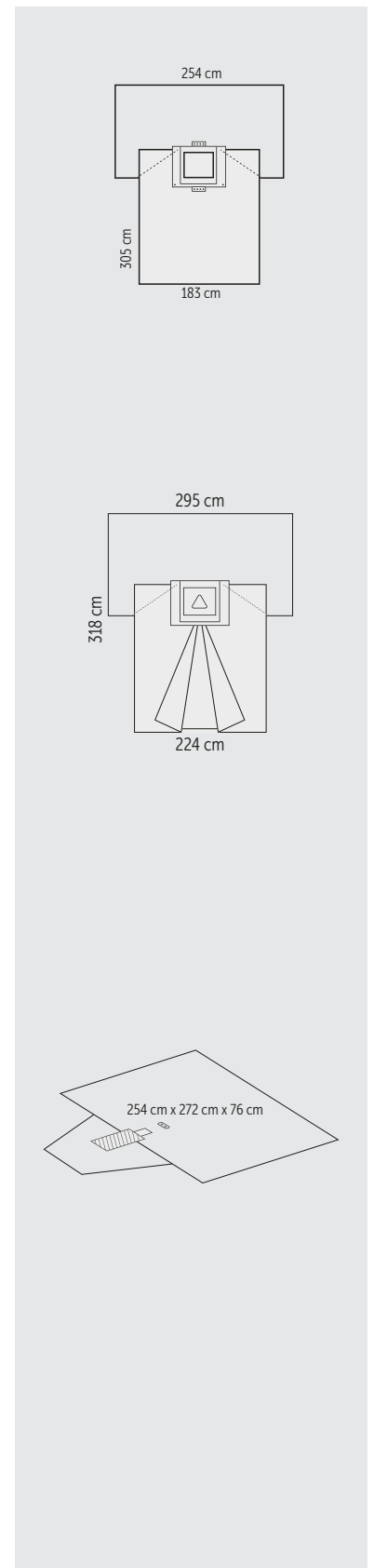
CODE	DESCRIPTION	ITEMS/CASE
77353	C-Section Drape with Attached Leggings, Sterile	18
76353	C-Section Drape with Attached Leggings, Non-Sterile	112

LITHOTOMY DRAPES

LITHOTOMY DRAPE WITH ATTACHED LEGGINGS, 254 X 272 X 76 CM

- CONTROL* Plus Fabric Reinforcement 61 x 27 cm
- Tape around Fenestration
- Tube Holders

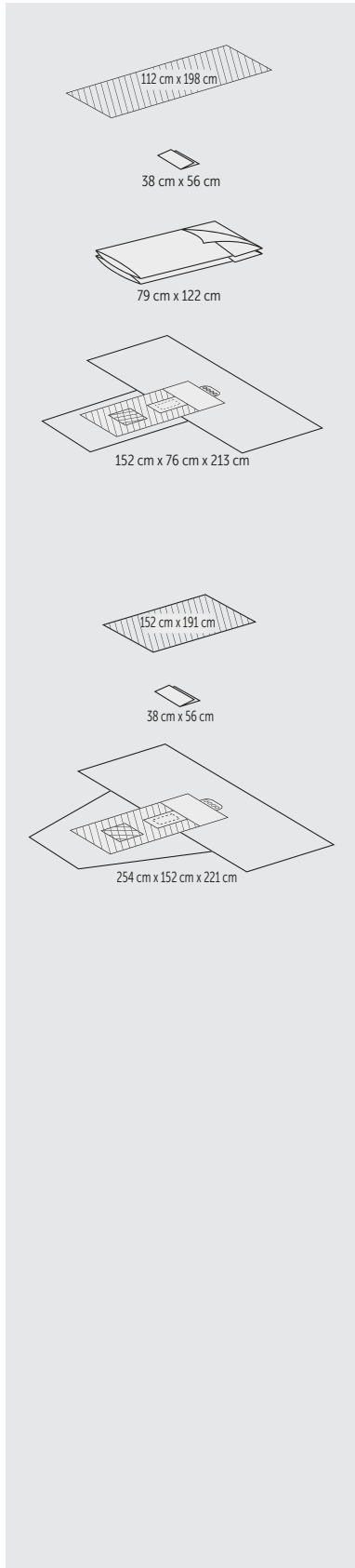
CODE	DESCRIPTION	ITEMS/CASE
76384	Lithotomy Drape with Attached Leggings, Non-Sterile	11



All codes in **bold** indicate a sterile product.

UROLOGY

UROLOGY PACKS



CYSTOSCOPY PACK I

CODE	DESCRIPTION		ITEMS/CASE
88611	Cystoscopy Pack I		12
	STERILE	NON-STERILE	CONTENTS
	-	42447	1 Back Table Cover, Reinforced 112 x 198 cm
	89701	79720	1 Absorbent Towel 38 x 56 cm
	89408	79408	2 Leggings 79 x 122 cm: • With 15 cm Cuff
	-	79540	1 Cystoscopy T-Drape 152 x 76 x 213 cm: • Perineal Fenestration 7 x 15 cm • 22 x 22 cm Screen • Positioning Tape • CONTROL [®] Fabric Reinforcement • Tube Holders

CYSTOSCOPY PACK II

CODE	DESCRIPTION		ITEMS/CASE
88621	Cystoscopy Pack II		12
	STERILE	NON-STERILE	CONTENTS
	42222	42428	1 Back Table Cover, Reinforced 152 x 191 cm
	89701	79720	1 Absorbent Towel 38 x 56 cm
	-	79545	1 Cystoscopy Drape 254 x 152 x 221 cm: • With Attached Leggings • Perineal Fenestration 7 x 15 cm • 22 x 22 cm Screen • Positioning Tape • CONTROL [®] Fabric Reinforcement • Tube Holders

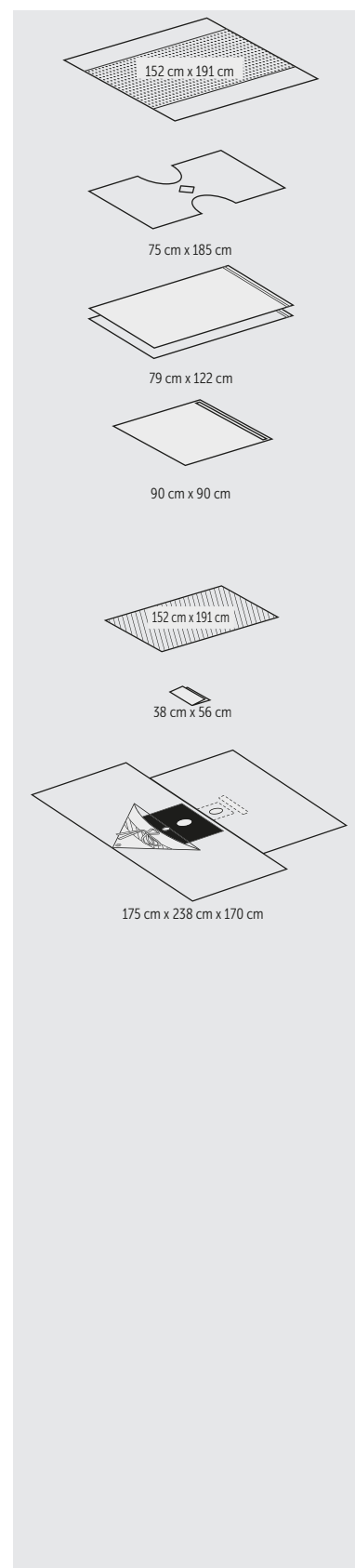
All codes in **bold** indicate a sterile product.

HALYARD BASICS* CYSTOSCOPY PACK

CODE	DESCRIPTION		ITEMS/CASE
89681	HALYARD BASICS* Cystoscopy Pack		10
	STERILE	NON-STERILE	CONTENTS
88673		78669	1 Back Table Cover, Zone Reinforced 152 x 191 cm
-	-	-	2 Leggings 79 x 122 cm
89679		79783	1 Utility Drape with Tape 90 x 90 cm: • Spunbond Film
-	-	79742	1 Cystoscopy Drape, 75 x 185 cm: • Diamond Fenestration 5.5 x 12.5 cm • Spunbond Film

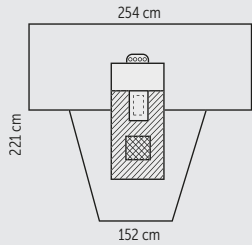
T.U.R. PACK

CODE	DESCRIPTION		ITEMS/CASE
77885	T.U.R. Pack		12
	STERILE	NON-STERILE	CONTENTS
-	-	-	1 Sterilisation Wrap 96 x 96 cm
42222		42428	1 Back Table Cover, Reinforced 152 x 191 cm
89701		79720	1 Absorbent Towel 38 x 56 cm
-	-	76885	1 T.U.R. Drape 175 x 238 x 170 cm: • With Attached Leggings • Fluid Collection Pouch with Screen, Suction Port and Tie • With Finger Cot



All codes in **bold** indicate a sterile product.

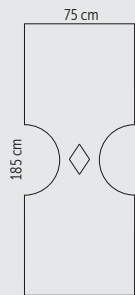
UROLOGY DRAPES



CYSTOSCOPY DRAPE, 254 X 221 X 152 CM

- CONTROL* Plus Fabric Reinforcement 40 x 22 cm & Poly Reinforcement 40 x 101 cm
- Attached Leggings
- Fenestration 7 x 15 cm
- Screen 22 x 22 cm

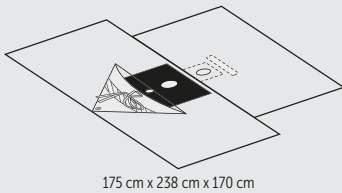
CODE	DESCRIPTION	ITEMS/CASE
79545	Cystoscopy Drape, Non-Sterile	20



HALYARD BASICS* CYSTOSCOPY DRAPE, 75 X 185 CM

- Diamond Fenestration 5.5 x 12.5 cm
- Spunbond Film

CODE	DESCRIPTION	ITEMS/CASE
79742	HALYARD BASICS* Cystoscopy Drape, Non-Sterile	120



T.U.R. DRAPE, 175 X 238 X 170 CM

- With Attached Leggings
- Fluid Collection Pouch with Screen, Suction Port and Tie
- With Finger Cot

CODE	DESCRIPTION	ITEMS/CASE
76885	T.U.R. Drape, Non-Sterile	18

All codes in **bold** indicate a sterile product.

OPHTHALMOLOGY

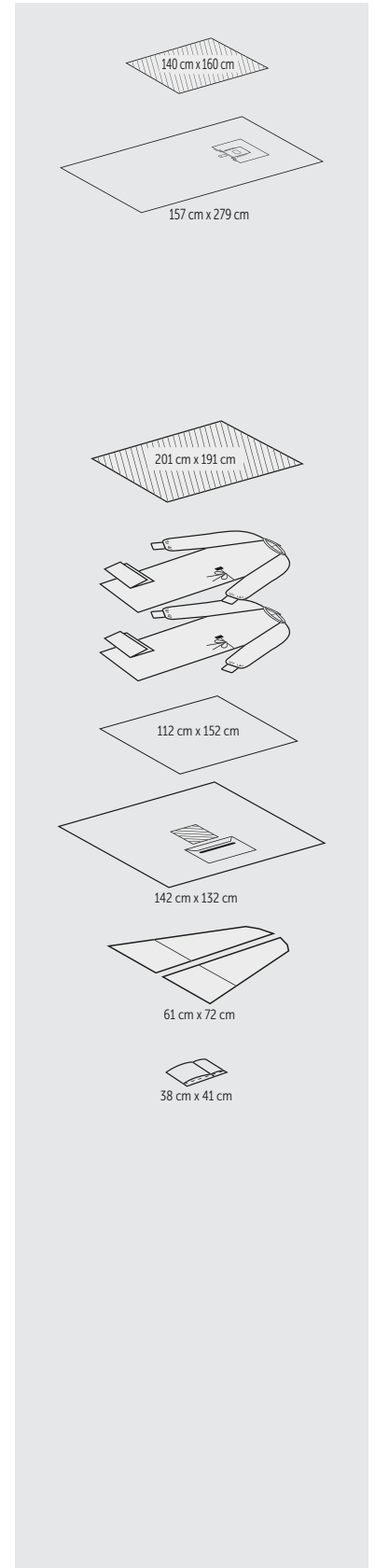
OPHTHALMOLOGY PACKS

EYE PACK

CODE	DESCRIPTION		ITEMS/CASE
77744	Eye Pack		10
	STERILE	NON-STERILE	CONTENTS
	-	-	1 Sterilisation Wrap 89 x 89 cm
	-	-	1 Back Table Cover, 140 x 160 cm, with Tape
	-	-	1 Eye Drape 157 x 279 cm: • With Fluid Collection Pouch

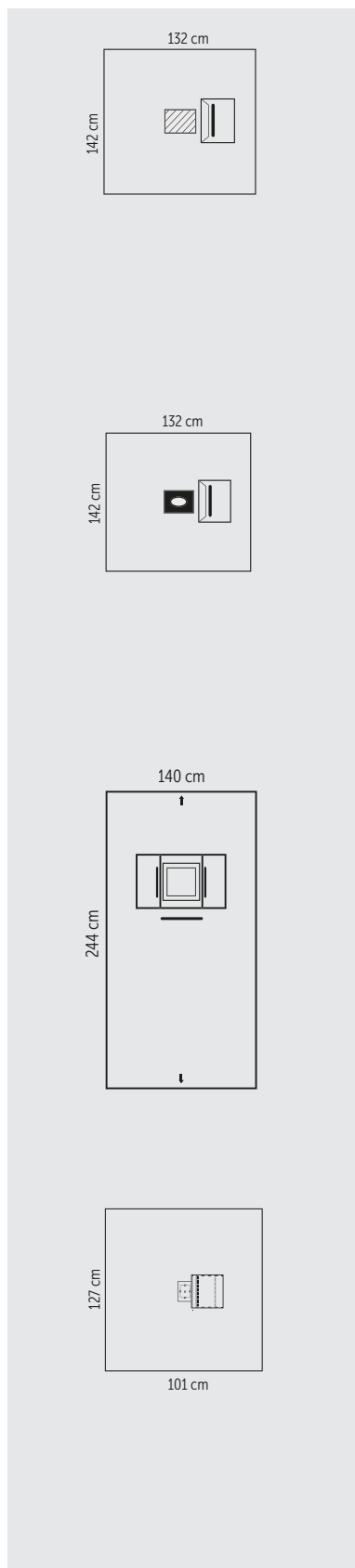
OPHTHALMIC PACK

CODE	DESCRIPTION		ITEMS/CASE
77760	Ophthalmic Pack		8
	STERILE	NON-STERILE	CONTENTS
42312	42313		1 Back Table Cover, Reinforced 191 x 201 cm
89101	79102		1 Half Drape 112 x 152 cm
90013	79973		2 Surgical Gowns Large, X-long
89701	79720		2 Absorbent Towels 38 x 56 cm
89304	79304		1 Ophthalmic Drape 132 x 142 cm • With Fluid Collection Pouch • 13 x 9 cm Rectangular Fenestration, with Incise • Eye Wick • Applicable for both Left and Right Eye
76214	76300		2 Armboard Covers 61 x 72 cm
89945	79945		1 Diathermy Pouch 38 x 41 cm



All codes in **bold** indicate a sterile product.

OPHTHALMOLOGY DRAPES



OPHTHALMIC DRAPE, 132 X 142 CM

- With One Single Fluid Collection Pouch
- 13 x 9 cm Rectangular Fenestration, with Incise
- Eye Wick
- Applicable for both Left and Right Eye

CODE	DESCRIPTION	ITEMS/CASE
89304	Ophthalmic Drape, Sterile	40
79304	Ophthalmic Drape, Non-Sterile	100

OPHTHALMIC DRAPE, 132 X 142 CM

- With One Single Fluid Collection Pouch
- 8 cm Oval Fenestration, with Apertured Incise 9 x 12.7 cm
- Eye Wick
- Applicable for both Left and Right Eye

CODE	DESCRIPTION	ITEMS/CASE
89305	Ophthalmic Drape, Oval Fenestration, Sterile	40
79305	Ophthalmic Drape, Oval Fenestration, Non-Sterile	100

OPHTHALMIC DRAPE, 140 X 244 CM

- SMS
- 12.7 cm Fenestration
- Incise
- CONTROL[®] Fabric Reinforcement
- Breather Bar

CODE	DESCRIPTION	ITEMS/CASE
K793040	Ophthalmic Drape, Non-Sterile	50

INCISED OPHTHALMIC DRAPE, 101 X 127 CM

- 11.5 x 8.9 cm Body Fenestration
- Clear Plastic Reinforcement
- With Pouch

CODE	DESCRIPTION	ITEMS/CASE
K793042	Incised Ophthalmic Drape, Non-Sterile	50

All codes in **bold** indicate a sterile product.

OPHTHALMIC DRAPE, 140 X 127 CM

- 11.5 x 8.8 cm Body Fenestration
- Clear Plastic Reinforcement
- With Pouch

CODE	DESCRIPTION	ITEMS/CASE
K793043	Ophthalmic Drape, Non-Sterile	50

INCISED FENESTRATED OPHTHALMIC DRAPE, 140 X 244 CM

- 9 x 11.5 cm Oval Body Fenestration
- Clear Plastic Reinforcement
- With Pouch

CODE	DESCRIPTION	ITEMS/CASE
K793045	Incised Fenestrated Ophthalmic Drape, Non-Sterile	50

OCUARTS* OPHTHALMIC DRAPE, 183 X 292 CM

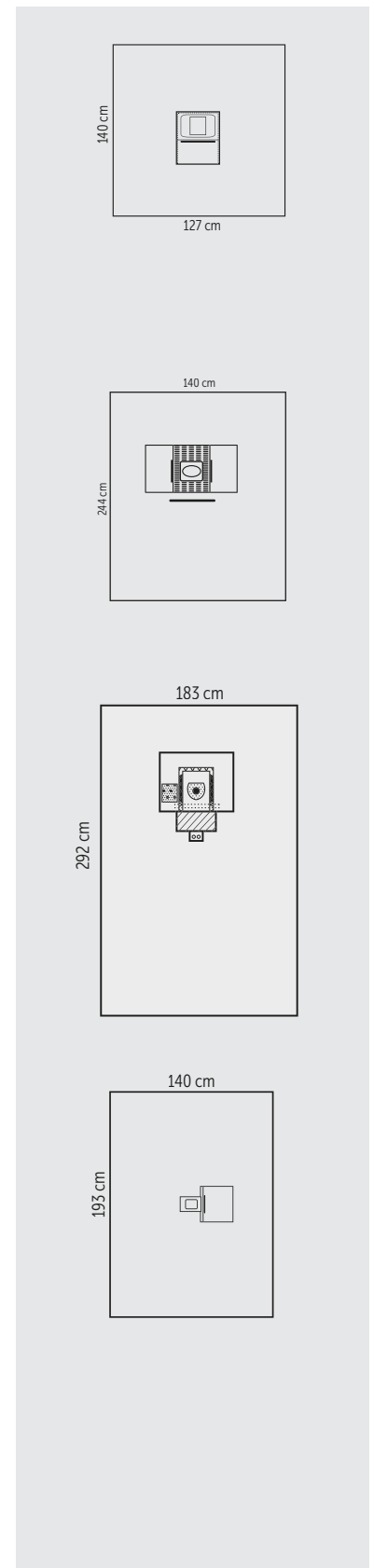
- 3 x 5 cm Oval Fenestration
- 15 x 20 cm Incise
- Fluid Collection Pouch around Fenestration, with Foam Band
- Breather Bar
- Tube Holders

CODE	DESCRIPTION	ITEMS/CASE
79356	OCUARTS* Ophthalmic Drape, Non-Sterile	20

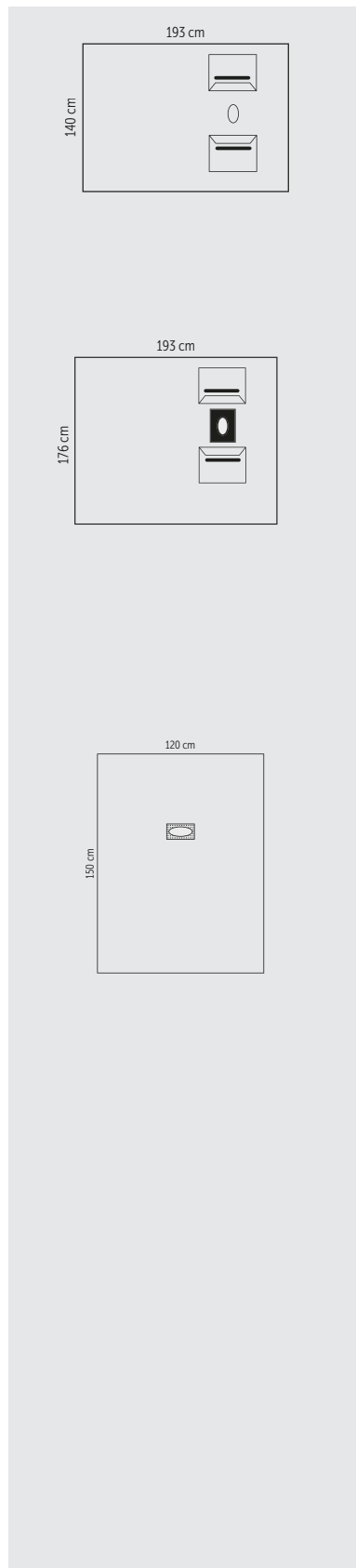
EYE DRAPE, 140 X 193 CM

- With One Single Fluid Collection Pouch
- 7,6 x 10 cm Rectangular Fenestration, with Incise 18 x 13 cm
- Applicable for both Left and Right Eye

CODE	DESCRIPTION	ITEMS/CASE
77873	Eye Drape, Sterile	25
76321	Eye Drape, Non-Sterile	50



All codes in **bold** indicate a sterile product.



EYE DRAPE, 193 X 140 CM

- With Double Fluid Collection Pouches
- 4,5 x 7 cm Oval Fenestration, without Incise

CODE	DESCRIPTION	ITEMS/CASE
77707	Eye Drape, Sterile	30
76346	Eye Drape, Non-Sterile	36

EYE DRAPE, 193 X 176 CM

- With Double Fluid Collection Pouches
- 4,5 x 7 cm Oval Fenestration, with Incise 9,5 x 12 cm

CODE	DESCRIPTION	ITEMS/CASE
59710	Eye Drape, Sterile	28
76393	Eye Drape, Non-Sterile	50

HALYARD BASICS* BILATERAL EYE FENESTRATED DRAPE WITH TAPE, 120 X 150 CM

- Horizontal Rounded Rectangular Fenestration 7 x 16 cm, centered
- Spunbond Film
- Positioning Tape

CODE	DESCRIPTION	ITEMS/CASE
79744	HALYARD BASICS* Bilateral Eye Fenestrated Drape with Tape, Non-Sterile	80

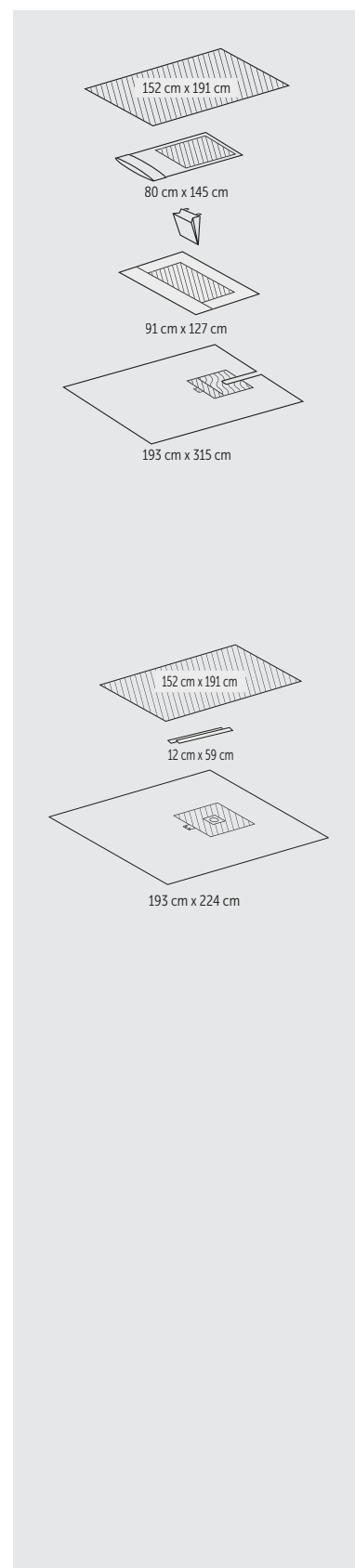
All codes in **bold** indicate a sterile product.

ENT PACK III

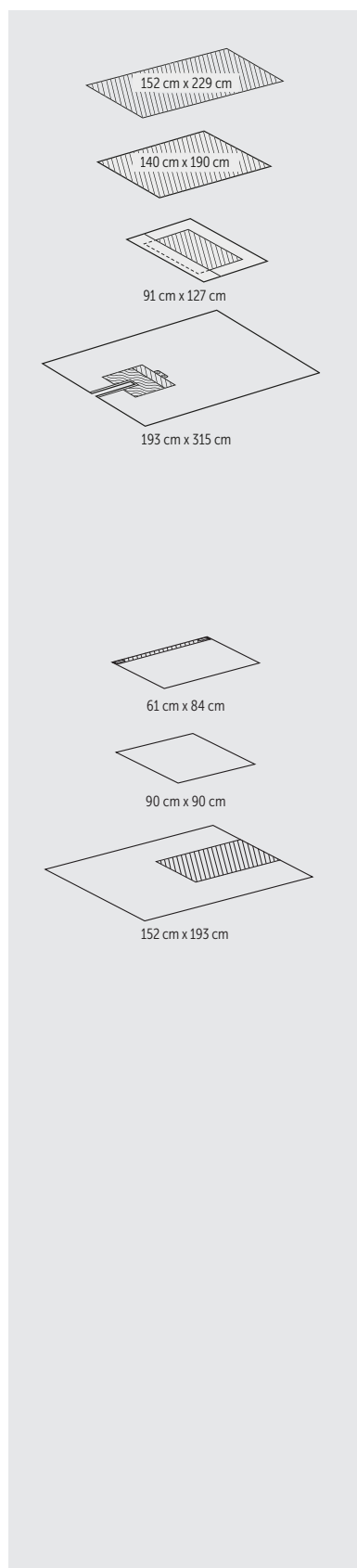
CODE	DESCRIPTION		ITEMS/CASE
88223	ENT Pack III		6
STERILE	NON-STERILE	CONTENTS	
42222	42428	1 Back Table Cover, Reinforced, 152 x 191 cm	
89603	79603	1 Mayo Stand Cover 80 x 145 cm	
-	-	1 Suture Bag	
-	79430	1 Head Drape 91 x 127 cm: <ul style="list-style-type: none"> • Turban • Positioning Tape 	
89352	79351	1 ENT Split Drape 193 x 315 cm: <ul style="list-style-type: none"> • With 7 x 71 cm Split • Positioning Tape • CONTROL⁺ Fabric Reinforcement • Tube Holders 	

ENT PACK IV

CODE	DESCRIPTION		ITEMS/CASE
77823	ENT Pack IV		10
STERILE	NON-STERILE	CONTENTS	
-	-	1 Sterilisation Wrap 89 x 89 cm	
42222	42428	1 Back Table Cover, Reinforced, 152 x 191 cm	
-	-	2 Iso-Seal Tape Strips 12 x 59 cm	
-	-	1 ENT Drape with Incise, 193 x 224 cm: <ul style="list-style-type: none"> • Incise 15 x 15 cm • With 11 x 11 cm Fenestration • CONTROL⁺ Plus Fabric Reinforcement 	



All codes in **bold** indicate a sterile product.



ENT PACK V – HEAD AND NECK

CODE	DESCRIPTION		ITEMS/CASE
76209	ENT Pack V – Head and Neck		7
	STERILE	NON-STERILE	CONTENTS
	-	-	1 Sterilisation Wrap 89 x 89 cm
	42224	42451	1 Back Table Cover, Reinforced, 152 x 229 cm
	42345	42365	1 Back Table Cover, Reinforced, 140 x 190 cm
	-	79430	1 Head Drape 91 x 127 cm: <ul style="list-style-type: none"> • Turban • Positioning Tape
	89352	79351	1 ENT Split Drape 193 x 315 cm: <ul style="list-style-type: none"> • With 7 x 71 cm Split • Positioning Tape • CONTROL⁺ Fabric Reinforcement • Tube Holders

HEAD PACK

CODE	DESCRIPTION		ITEMS/CASE
76234	Head Pack		20
	STERILE	NON-STERILE	CONTENTS
	-	-	1 Sterilisation Wrap 89 x 89 cm
	-	-	1 Three-Quarter Drape 152 x 193 cm
	89353	76323	1 Utility Drape 90 x 90 cm
	-	-	1 Head Drape, 61 x 84 cm: <ul style="list-style-type: none"> • 5 cm tape over full length

All codes in **bold** indicate a sterile product.

ENT DRAPES

ENT SPLIT DRAPE, 193 X 315 CM

- CONTROL* Fabric Reinforcement 58 x 61 cm
- 7 x 71 cm Split
- Tube Holders
- Positioning Tape

CODE	DESCRIPTION	ITEMS/CASE
89352	ENT Split Drape, Sterile	18
79351	ENT Split Drape, Non-Sterile	25

ENT DRAPE, 193 X 229 CM

- With 5 x 6 cm Fenestration
- CONTROL* Plus Fabric Reinforcement 84 x 81 cm
- Positioning Tape
- Tube Holders

CODE	DESCRIPTION	ITEMS/CASE
89010	ENT Drape, Sterile	18

HEAD DRAPES

HEAD DRAPE, 127 X 91 CM

- Turban
- Positioning Tape

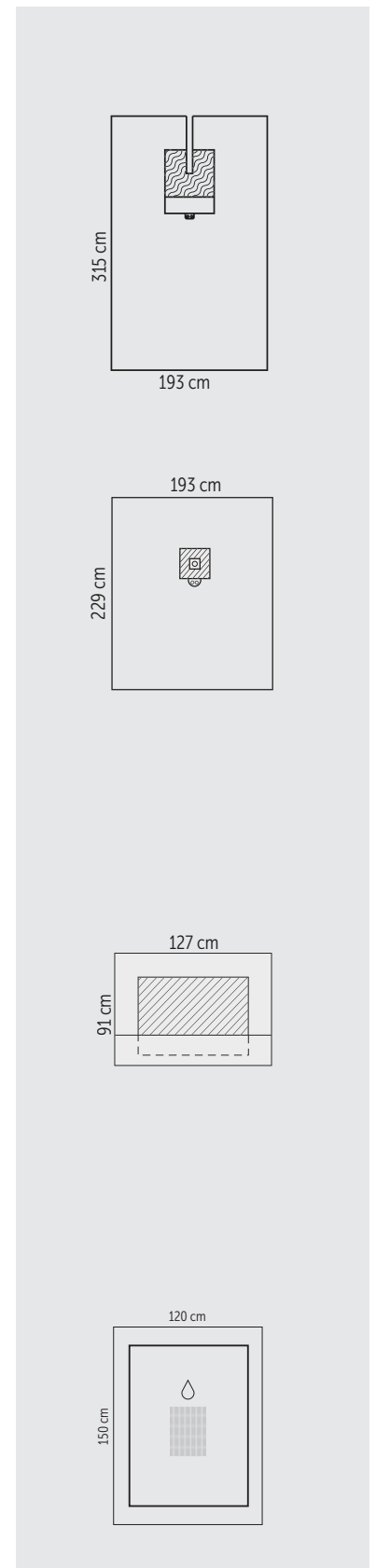
CODE	DESCRIPTION	ITEMS/CASE
79430	Head Drape, Non-Sterile	60

DENTAL DRAPES

HALYARD BASICS* DENTAL FENESTRATED DRAPE, 120 X 150 CM

- Tear Drop Fenestration 10 x 15 cm, 40 cm from top
- SMS
- Absorbent Reinforcement

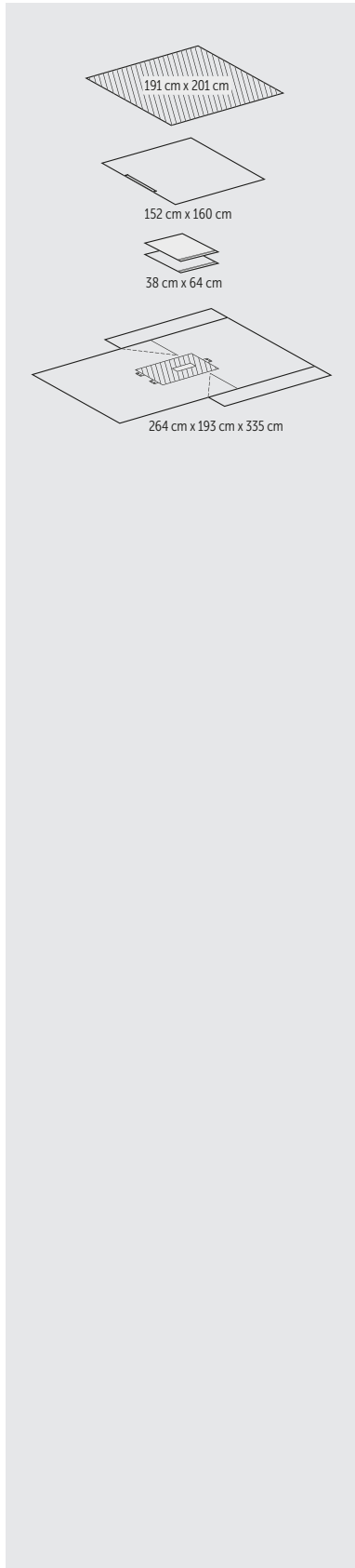
CODE	DESCRIPTION	ITEMS/CASE
89543	HALYARD BASICS* Dental Fenestrated Drape, Sterile	15
79543	HALYARD BASICS* Dental Fenestrated Drape, Non-Sterile	68



All codes in **bold** indicate a sterile product.

NEUROLOGY

NEUROLOGY PACKS



NEUROLOGY PACK

CODE	DESCRIPTION			ITEMS/CASE
76251 [†]	Neurology Pack			8
	STERILE	NON-STERILE	CONTENTS	
	-	-	1 Sterilisation Wrap 96 x 96 cm	
	42312	42313	1 Back Table Cover 191 x 201 cm	
	-	-	1 Drape with Tape 152 x 160 cm	
	-	79731	2 Utility Drapes with Tape 38 x 64 cm	
	-	-	1 Neuro Surgery Drape 264 x 193 x 335 cm <ul style="list-style-type: none"> • CONTROL⁺ Plus Fabric Reinforcement • With 10 x 30 cm Rectangular Fenestration • Tube Holders • Armboard Covers 	

[†] Expect a longer lead time.

All codes in **bold** indicate a sterile product.

CRANIOTOMY DRAPES

CRANIOTOMY DRAPE, 310 X 340 X 188 CM

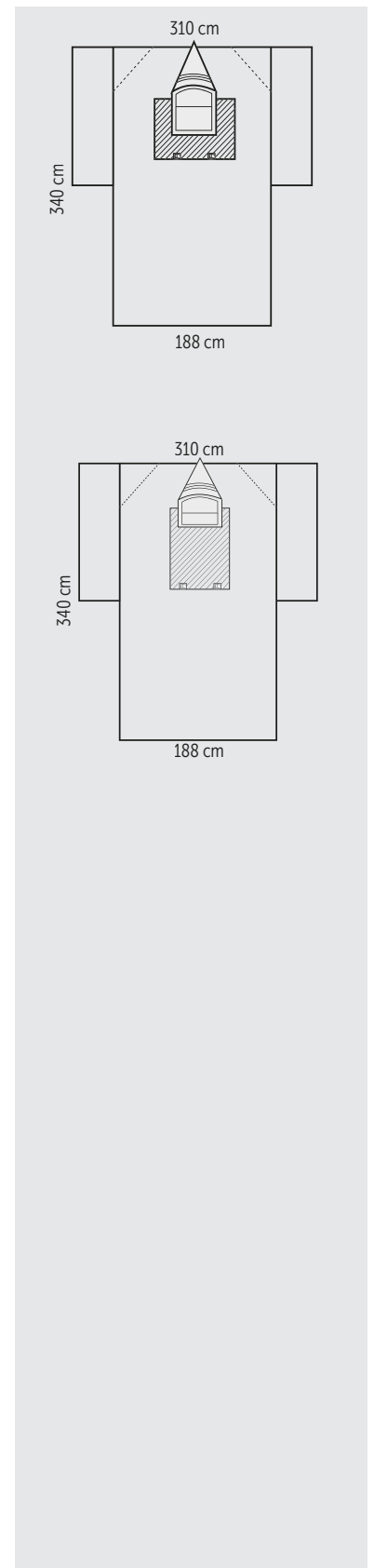
- CONTROL* Plus Fabric Reinforcement 91 x 61 cm
- 20 x 30 cm Oval Fenestration
- Clear Gusseted Anesthesia Panels
- Screen and Suction Port
- 58 x 114 cm Pouch

CODE	DESCRIPTION	ITEMS/CASE
89062	Craniotomy Drape, Sterile	9
79075	Craniotomy Drape, Non-Sterile	15

CRANIOTOMY DRAPE, 310 X 340 X 188 CM

- CONTROL* Plus Fabric Reinforcement 91 x 61 cm
- 15 x 23 cm Oval Fenestration
- 58 x 92 cm Pouch with Screen and Suction Port
- Gusseted Anaesthesia Panels

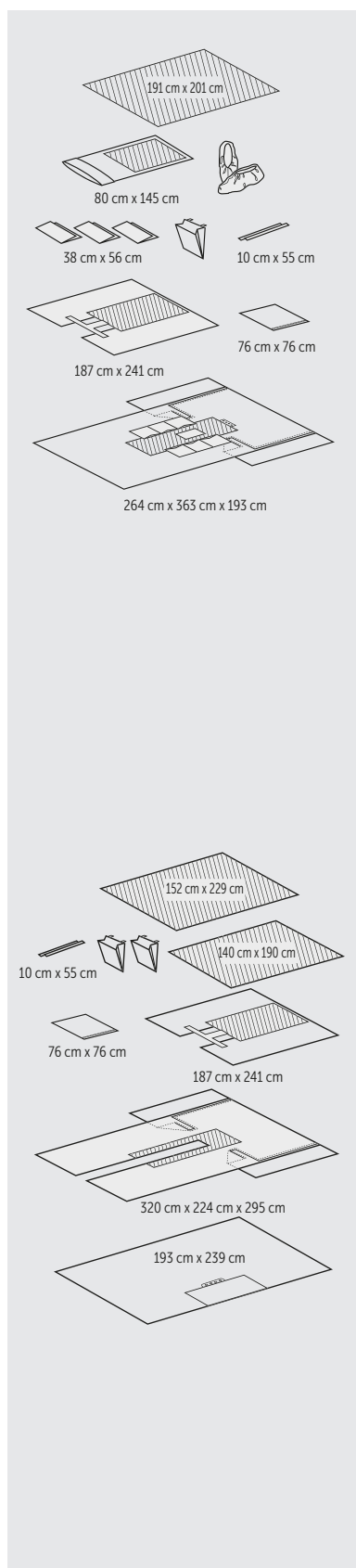
CODE	DESCRIPTION	ITEMS/CASE
77466	Craniotomy Drape, Sterile	12
76396	Craniotomy Drape, Non-Sterile	14



All codes in **bold** indicate a sterile product.

CARDIOVASCULAR & ANGIOGRAPHY

CARDIOVASCULAR & ANGIOGRAPHY PACKS



CARDIO PACK II

CODE	DESCRIPTION	ITEMS/CASE
77748	Cardio Pack II	3
STERILE	NON-STERILE	CONTENTS
-	-	1 Sterilisation Wrap 115 x 115 cm
42312	42313	1 Back Table Cover, Reinforced, 191 x 201 cm
89603	79603	1 Mayo Stand Cover, 80 x 145 cm
-	76340	2 Foot Covers
89701	79720	3 Absorbent Towels 38 x 56 cm
89053	79053	2 Tape Strips 10 x 55 cm
-	-	1 Suture Bag: <ul style="list-style-type: none"> • Double Tape
89313	79313	1 Utility Drape with Tape, 76 x 76 cm
-	76356	1 Perineal Drape 187 x 241 cm: <ul style="list-style-type: none"> • Split 44 x 95 cm • Positioning Tape • CONTROL⁺ Plus Fabric Reinforcement
86357	76357	1 CV Incise Sheet 264 x 363 x 193 cm: <ul style="list-style-type: none"> • With Pouches • CONTROL⁺ Plus Fabric Reinforcement • Tube Holders

CARDIO SPLIT PACK

CODE	DESCRIPTION	ITEMS/CASE
77749	Cardio Split Pack	3
STERILE	NON-STERILE	CONTENTS
-	-	1 Sterilisation Wrap 115 x 115 cm
42224	42451	1 Back Table Cover, Reinforced, 152 x 229 cm
89053	79053	2 Tape Strips 10 x 55 cm
-	-	2 Suture Bags: <ul style="list-style-type: none"> • Double Tape
42345	-	1 Back Table Cover, Reinforced 140 x 190 cm
89313	79313	1 Utility Drape with Tape, 76 x 76 cm
-	76356	1 Perineal Drape 187 x 241 cm: <ul style="list-style-type: none"> • Split 44 x 95 cm • Positioning Tape • CONTROL⁺ Plus Fabric Reinforcement
-	76378	1 CV Split Drape 320 x 224 x 295 cm: <ul style="list-style-type: none"> • Positioning Tape • CONTROL⁺ Plus Fabric Reinforcement
-	78961	1 Bottom Drape 193 x 239 cm: <ul style="list-style-type: none"> • Positioning Tape • CONTROL⁺ Plus Fabric Reinforcement • Tube Holders

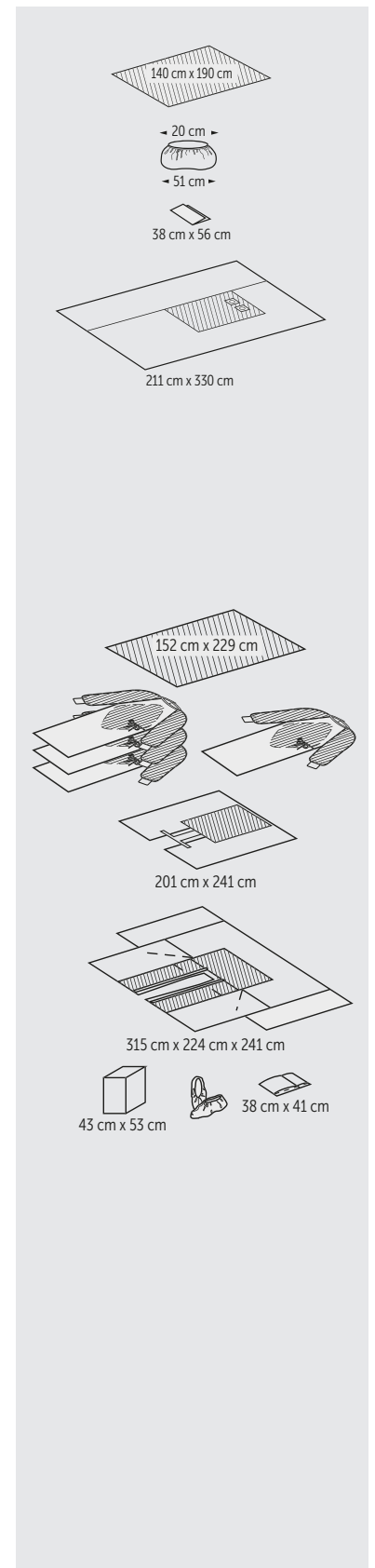
All codes in **bold** indicate a sterile product.

DILATATION PACK

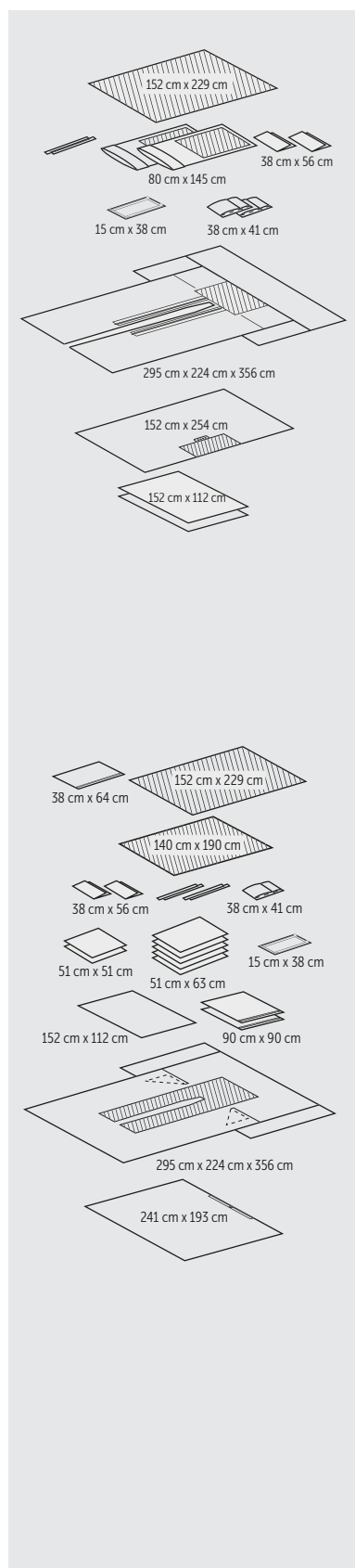
CODE	DESCRIPTION	ITEMS/CASE
76248	Dilatation Pack	8
STERILE	NON-STERILE	CONTENTS
-	-	1 Sterilisation Wrap 89 x 89 cm
42345	-	1 Back Table Cover, Reinforced, 140 x 190 cm
-	-	1 X-Ray Protection Cover
89701	79720	1 Absorbent Towel 38 x 56 cm
89048	79109	1 Femoral Angiography Drape 211 x 330 cm: <ul style="list-style-type: none"> • 68 x 330 cm Window • Two 12 cm Diameter Fenestrations • CONTROL⁺ Plus Fabric Reinforcement 81 x 122 cm • Positioning Tape

CV DRAPE PACK

CODE	DESCRIPTION	ITEMS/CASE
77762	CV Drape Pack	2
STERILE	NON-STERILE	CONTENTS
-	-	1 Sterilisation Wrap 115 x 115 cm
42224	42451	1 Back Table Cover 152 x 229 cm
95224	76329	3 Surgical Gowns Ultra Fabric Reinforced XL, X-long
95214	76328	1 Surgical Gown Ultra Fabric Reinforced L, X-long
-	-	1 Perineal Drape 201 x 241 cm <ul style="list-style-type: none"> • CONTROL⁺ Plus Fabric Reinforcement
-	-	1 CV Split Drape 315 x 224 x 241 cm <ul style="list-style-type: none"> • CONTROL⁺ Plus Fabric Reinforcement • Armboard Covers
-	-	1 Stool Cover 43 x 53 cm
-	-	2 Shoe Covers
89945	79945	1 Diathermy Pouch 38 x 41 cm



All codes in **bold** indicate a sterile product.



CARDIOVASCULAR PACK III

CODE	DESCRIPTION	ITEMS/CASE
77892	Cardiovascular Pack III	3
STERILE	NON-STERILE	CONTENTS
-	-	1 Sterilisation Wrap 115 x 115 cm
42224	42451	1 Back Table Cover 152 x 229 cm
89053	79053	2 Tape Strips 10 x 55 cm
89701	79720	2 Absorbent Towels 38 x 56 cm
89603	79603	2 Mayo Stand Covers 80 x 145 cm
-	-	1 Perineal Cover 15 x 38 cm
89945	79945	2 Diathermy Pouches 38 x 41 cm
-	-	1 CV Split Drape 295 x 224 x 356 cm <ul style="list-style-type: none"> • 17 x 233 cm Split • CONTROL⁺ Plus Fabric Reinforcement • Armboard Covers
89381	79360	1 Ortho Bar Drape 152 x 254 cm
89101	79102	2 Half Drapes 152 x 112 cm

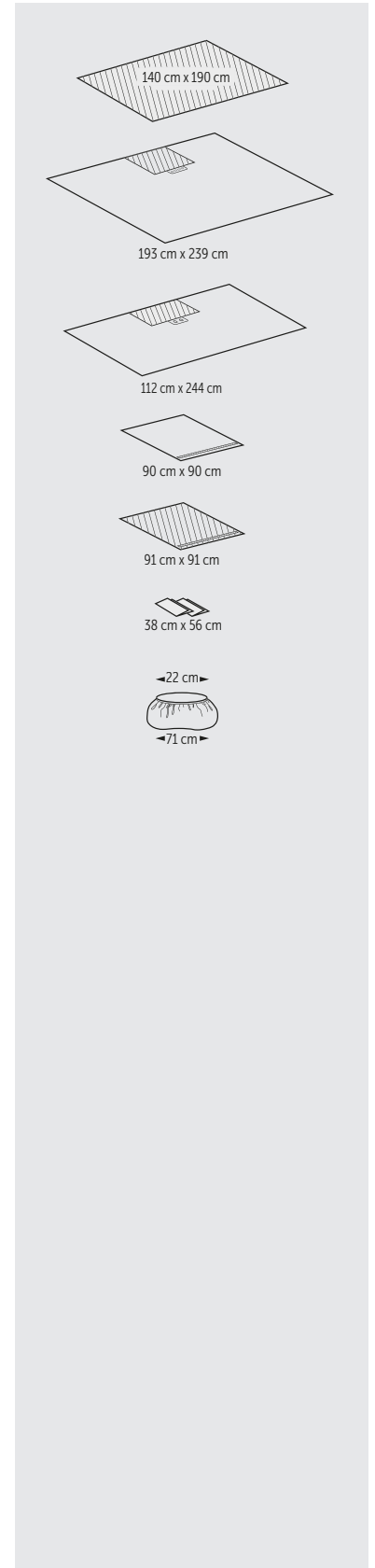
CARDIOVASCULAR PACK VI

CODE	DESCRIPTION	ITEMS/CASE
77771	Cardiovascular Pack VI	4
STERILE	NON-STERILE	CONTENTS
-	-	1 Sterilisation Wrap 115 x 115 cm
42224	42451	1 Back Table Cover, Reinforced 152 x 229 cm
-	79731	Utility Drape with Tape 38 x 64 cm
42345	-	1 Back table Cover, Reinforced 140 x 190 cm
89701	79720	2 Absorbent Towels 38 x 56 cm
89053	79053	4 Tape Strips 10 x 55 cm
89945	79945	1 Diathermy Pouch 38 x 41 cm
-	-	2 Impermeable Absorbent Pads 51 x 51 cm
89021	79725	5 Huck Towels 51 x 63 cm
-	-	1 Perineal Cover 15 x 38 cm
89101	79102	1 Half Drape 112 x 152 cm
89293	79293	2 Utility Drapes with Tape 90 x 90 cm
-	-	1 Cardiovascular Split Drape 224 x 356 cm
-	-	1 Bar Drape 193 x 241 cm

All codes in **bold** indicate a sterile product.

PACEMAKER PACK

CODE	DESCRIPTION		ITEMS/CASE
77870	Pacemaker Pack		8
STERILE	NON-STERILE	CONTENTS	
-	-	1 Sterilisation Wrap 89 x 89 cm	
42345	-	1 Back table Cover, Reinforced 140 x 190 cm	
-	-	1 Bottom Drape 193 x 239 cm • CONTROL ⁺ Plus Fabric Reinforcement • Positioning Tape	
-	79370	1 Bar Drape 112 x 244 cm • CONTROL ⁺ Plus Fabric Reinforcement • Positioning Tape	
89293	79293	Utility Drape with Tape 90 x 90 cm	
89343	79343	Standard Absorbent Drape with Tape 91 x 91 cm	
89701	79720	2 Absorbent Towels 38 x 56 cm	
-	-	1 X-Ray Cover 71 cm	



All codes in **bold** indicate a sterile product.

CARDIOVASCULAR DRAPES

CVARTS* HEAVY-DUTY SPLIT DRAPE, 274 X 315 X 203 CM

- Armboard Covers
- Split 15 x 213 cm
- Longitudinal Line-Control Flaps
- Heavy-Duty Fabric
- CONTROL* Plus Fabric Reinforcement 58 x 203 cm around Split
- Positioning Tape

CODE	DESCRIPTION	ITEMS/CASE
89452†	CVARTS* Heavy-Duty Split Drape, Sterile	6

CVARTS* CV INCISE DRAPE, 274 X 315 X 203 CM

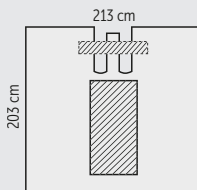
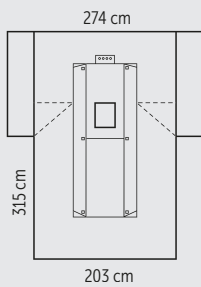
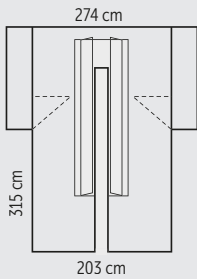
- Armboard Covers
- Chest Adhesive Incise Area 30 x 38 cm
- Leg Adhesive Incise Area 55 x 96 cm
- CONTROL* Plus Fabric Reinforcement 115 x 216 cm
- Longitudinal Flaps
- Tube Holder

CODE	DESCRIPTION	ITEMS/CASE
79466	CVARTS* CV Incise Drape, Non-Sterile	6

CVARTS* BILATERAL UNDERLEG PERINEAL DRAPE, 213 X 203 CM

- Impervious Plastic
- Impervious Perineal Cover
- Umbilicus Cover
- CONTROL* Plus Fabric Reinforcement 122 x 76 cm
- Positioning Tape

CODE	DESCRIPTION	ITEMS/CASE
79453	CVARTS* Bilateral Underleg Perineal Drape, Non-Sterile	18



† Expect a longer lead time.

All codes in **bold** indicate a sterile product.

CVARTS* BILATERAL UNDERLEG PERINEAL DRAPE, 213 X 305 CM

- SMS
- CONTROL* Fabric Reinforcement

CODE	DESCRIPTION	ITEMS/CASE
K794530	CVARTS* Bilateral Underleg Perineal Drape, Non-Sterile	18

CVARTS* SPLIT DRAPE WITH LARGE CLEARVIEW ANESTHESIA SCREEN AND POCKETS, 292 X 383 X 215 CM

- Split 243 x 6 cm
- Anesthesia Screen 60 x 292 cm
- Vertical Reinforcement Pockets 35 x 109 cm
- Horizontal Reinforcement 32 x 108 cm
- CONTROL* Plus Fabric Reinforcement

CODE	DESCRIPTION	ITEMS/CASE
29234[†]	CVARTS* Split Drape with Large ClearView Anesthesia Screen and Pockets, Sterile	5

CV INCISE DRAPE, 264 X 363 X 193 CM

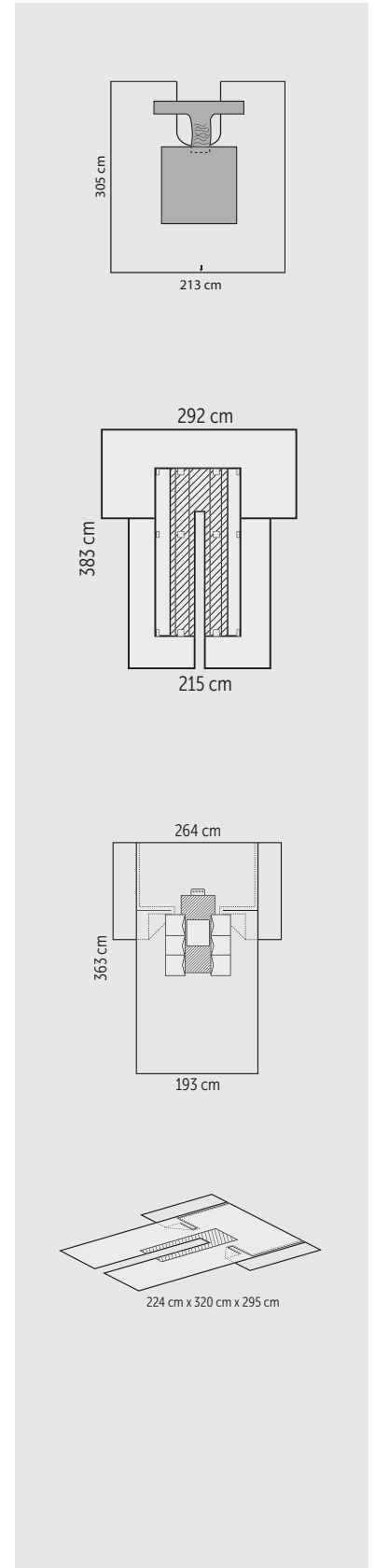
- With Pouches
- CONTROL* Plus Fabric Reinforcement 40 x 86 cm
- Tube Holders

CODE	DESCRIPTION	ITEMS/CASE
86357	CV Incise Drape, Sterile	12
76357	CV Incise Drape, Non-Sterile	11

CV SPLIT DRAPE, 224 X 320 X 295 CM

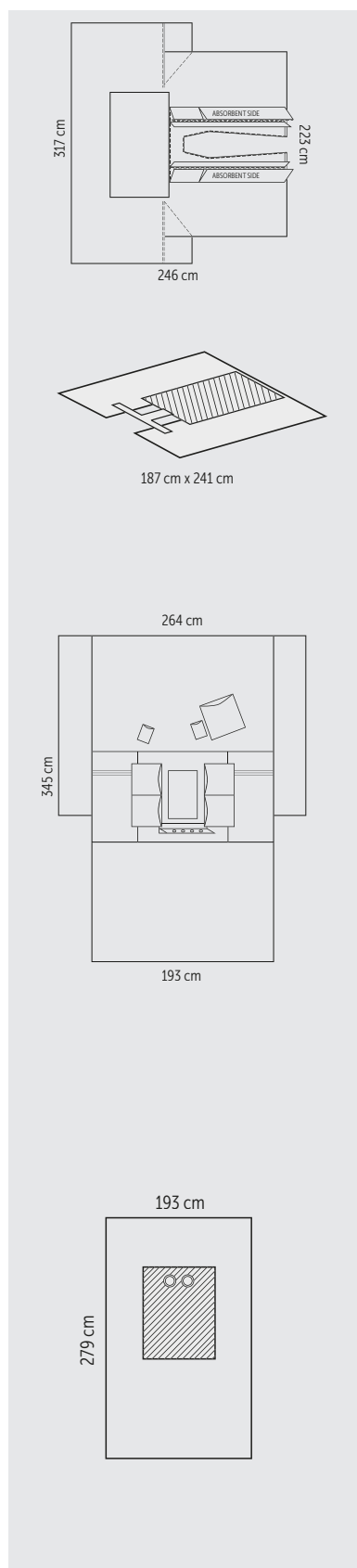
- Armboard Covers
- CONTROL* Plus Fabric Reinforcement 107 x 216 cm
- Positioning Tape

CODE	DESCRIPTION	ITEMS/CASE
76378	CV Split Drape, Non-Sterile	9



All codes in **bold** indicate a sterile product.

[†] Expect a longer lead time.



CV SPLIT DRAPE, 223 X 246 X 317 CM

- SMS
- CONTROL⁺ Fabric Reinforcement

CODE	DESCRIPTION	ITEMS/CASE
K794513	CV Split Drape, Non-Sterile	20

PERINEAL DRAPE, 187 X 241 CM

- Split 44 x 95 cm
- CONTROL⁺ Plus Fabric Reinforcement 99 x 141 cm
- Positioning Tape

CODE	DESCRIPTION	ITEMS/CASE
76356	Perineal Drape, Non-Sterile	17

DEFIBRILLATOR DRAPE I, 264 X 193 X 345 CM

- Armboard Covers
- Heavy-Duty fabric
- 30 x 51 cm Fenestration with Incise Film
- Two Side Pouches 30 x 66 cm
- One Pocket 38 x 38 cm
- Two Pockets 12 x 17 cm
- Tube Holders

CODE	DESCRIPTION	ITEMS/CASE
76354	Defibrillator Drape I, Non-Sterile	5

ANGIOGRAPHY DRAPES

FEMORAL ANGIOGRAPHY DRAPE, 193 X 279 CM

- Two 12 cm Diameter Fenestrations
- CONTROL⁺ Plus Fabric Reinforcement 81 x 122 cm
- Positioning Tape

CODE	DESCRIPTION	ITEMS/CASE
89704	Femoral Angiography Drape, Sterile	14
79704	Femoral Angiography Drape, Non-Sterile	160

All codes in **bold** indicate a sterile product.

HALYARD BASICS* FEMORAL ANGIOGRAPHY DRAPE, 239 X 350 CM, WITH SINGLE WINDOW

- Two 12 cm Diameter Fenestrations
- 68 x 315 cm Window
- SMS

CODE	DESCRIPTION	ITEMS/CASE
79582	HALYARD BASICS* Femoral Angiography Drape with Single Window, Non-Sterile	24

EXTRA-LONG FEMORAL ANGIOGRAPHY DRAPE, 220 X 342 CM, WITH DUAL WINDOWS

- Two 12.7 cm Diameter Fenestrations (8.8 cm Diameter Incise)
- Two 69 x 342 cm Windows
- CONTROL* Plus Fabric Reinforcement 81 x 152 cm

CODE	DESCRIPTION	ITEMS/CASE
13296	Extra-Long Femoral Angiography Drape, Non-Sterile	180

ACIST CVI® DRAPE, 287 X 363 CM

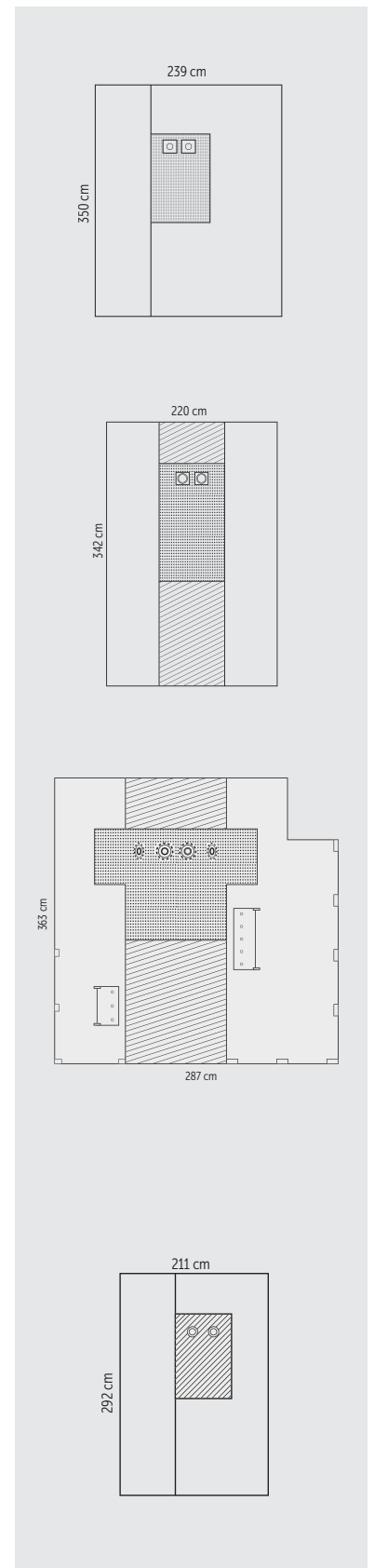
- Enlarged Windows fit to cover the ACIST® Equipment
- Special Opening for passing ACIST® Manifold
- Two Femoral Fenestrations
- Two Radial Fenestrations
- CONTROL* Fabric Reinforcement
- Positioning Tabs on the Windows

CODE	DESCRIPTION	ITEMS/CASE
K897065	ACIST CVI® Drape, Sterile	12
K797065	ACIST CVI® Drape, Non-Sterile	22

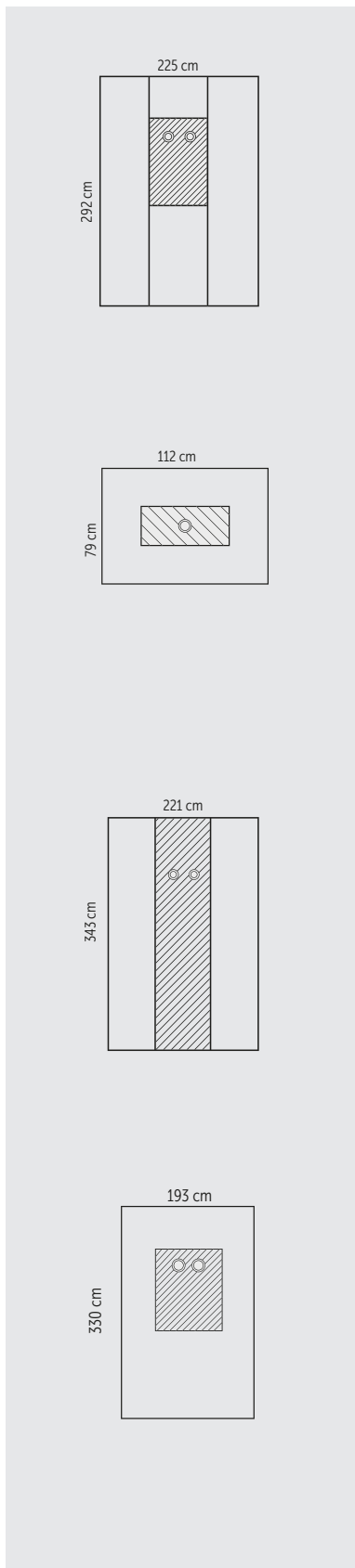
FEMORAL ANGIOGRAPHY DRAPE, 211 X 292 CM, WITH SINGLE WINDOW

- Two 12 cm Diameter Fenestrations
- 68 x 292 cm Window
- CONTROL* Plus Fabric Reinforcement 81 x 122 cm
- Positioning Tape

CODE	DESCRIPTION	ITEMS/CASE
89705	Femoral Angiography Drape with Single Window, Sterile	16
79705	Femoral Angiography Drape with Single Window, Non-Sterile	200



All codes in **bold** indicate a sterile product.



FEMORAL ANGIOGRAPHY DRAPE, 225 X 292 CM, WITH DUAL WINDOWS

- Two 12 cm Diameter Fenestrations
- Dual 68 x 292 cm Windows
- CONTROL* Plus Fabric Reinforcement 81 x 122 cm
- Positioning Tape

CODE	DESCRIPTION	ITEMS/CASE
89706	Femoral Angiography Drape with Dual Windows, Sterile	18
79706	Femoral Angiography Drape with Dual Windows, Non-Sterile	200

BRACHIAL ANGIOGRAPHY DRAPE, 112 X 79 CM

- 8 cm Circular Fenestration
- CONTROL* Plus Fabric Reinforcement, 27 x 61 cm
- Positioning Tape

CODE	DESCRIPTION	ITEMS/CASE
89471	Brachial Angiography Drape, Sterile	50

IMPERVIOUS EXTRA-LONG FEMORAL ANGIOGRAPHY DRAPE, 221 X 343 CM

- Two 12 cm Diameter Fenestrations
- Fabric Reinforcement 343 x 81 cm
- 2 Plastic Windows (343 x 70 cm)
- Extra Long Film Based Drape
- Incise with Release Liner

CODE	DESCRIPTION	ITEMS/CASE
79749	Impervious Extra-Long Femoral Angiography Drape, Non-Sterile	144

FEMORAL ANGIOGRAPHY DRAPE, 193 X 330 CM

- Two 12 cm Diameter Fenestrations
- CONTROL* Plus Fabric Reinforcement 81 x 122 cm
- Positioning Tape

CODE	DESCRIPTION	ITEMS/CASE
79063	Femoral Angiography Drape, Non-Sterile	160

All codes in **bold** indicate a sterile product.

FEMORAL ANGIOGRAPHY DRAPE, 211 X 330 CM, WITH SINGLE WINDOW

- 68 x 330 cm Window
- Two 12 cm Diameter Fenestrations
- CONTROL* Plus Fabric Reinforcement 81 x 122 cm
- Positioning Tape

CODE	DESCRIPTION	ITEMS/CASE
89048	Femoral Angiography Drape with Single Window, Sterile	16
79109	Femoral Angiography Drape with Single Window, Non-Sterile	200

FEMORAL ANGIOGRAPHY DRAPE, 225 X 330 CM, WITH DUAL WINDOWS

- Dual 68 x 330 cm Windows
- Two 12 cm Diameter Fenestrations
- CONTROL* Plus Fabric Reinforcement 81 x 122 cm
- Positioning Tape

CODE	DESCRIPTION	ITEMS/CASE
77776	Femoral Angiography Drape with Dual Windows, Sterile	14
76386	Femoral Angiography Drape with Dual Windows, Non-Sterile	200

RADIAL FEMORAL ANGIOGRAPHY DRAPE, 244 X 351 CM

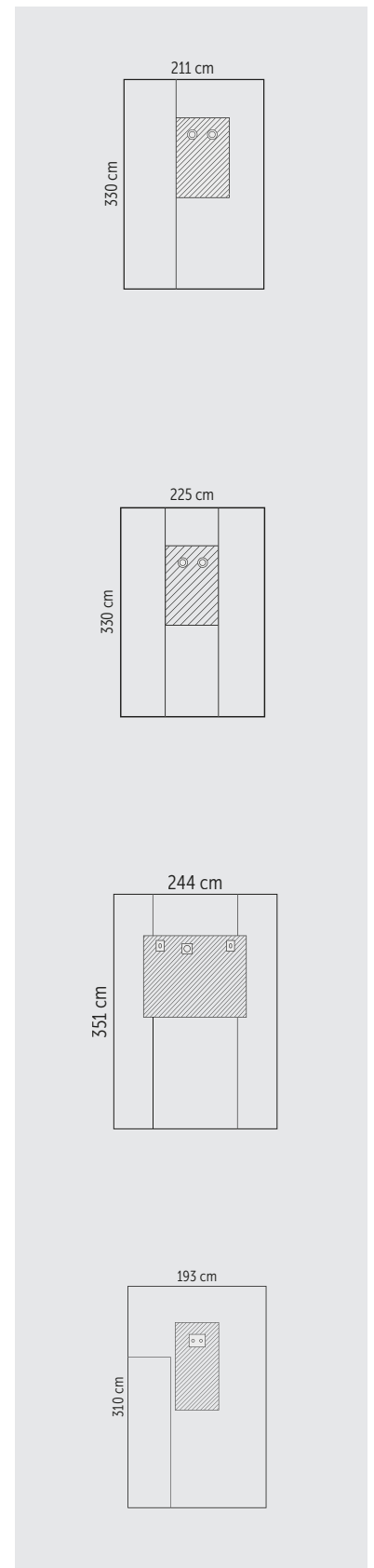
- Dual Windows 63 x 350 cm
- CONTROL* Plus Fabric Reinforcement 122 x 154 cm
- Two Oval Radial Fenestrations 12 x 7.6 cm
- One Round Femoral Fenestration, Diameter 12.7 cm

CODE	DESCRIPTION	ITEMS/CASE
76681	Radial Femoral Angiography Drape, Non-Sterile	150

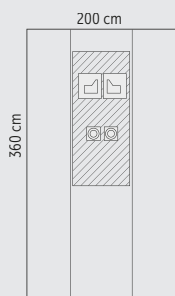
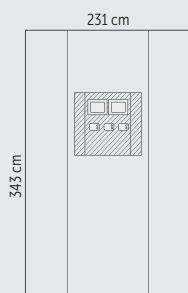
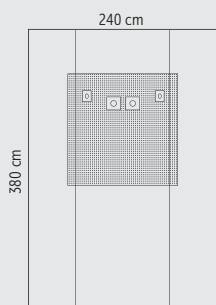
PAEDIATRIC FEMORAL ANGIOGRAPHY DRAPE, 193 X 310 CM, WITH SINGLE WINDOW

- 64 x 215 cm Window
- Two 7.6 cm Diameter Fenestrations
- CONTROL* Plus Fabric Reinforcement 122 x 61 cm
- Positioning Tape

CODE	DESCRIPTION	ITEMS/CASE
77382	Paediatric Femoral Angiography Drape with Single Window, Sterile	25
76382	Paediatric Femoral Angiography Drape with Single Window, Non-Sterile	14



All codes in **bold** indicate a sterile product.



HALYARD BASICS* RADIAL FEMORAL ANGIOGRAPHY DRAPE, 240 X 380 CM, WITH DUAL WINDOWS

- Dual Windows 63 x 350 cm
- Two Oval Radial Fenestrations 12 x 7.6 cm
- Two Round Femoral Fenestrations, Diameter 12.7 cm
- SMS

CODE	DESCRIPTION	ITEMS/CASE
89583	HALYARD BASICS* Radial Femoral Angiography Drape with Dual Windows, Sterile	12
79583	HALYARD BASICS* Radial Femoral Angiography Drape with Dual Windows, Non-Sterile	14

PACEMAKER DRAPE WITH FENESTRATED INCISE, 231 X 343 CM

- SMS
- Absorbent CONTROL* Plus fabric reinforcement with pockets 25 cm deep
- Two 7 x 12 cm fenestrations
- Tube Holders
- Dual clear film poly windows

CODE	DESCRIPTION	ITEMS/CASE
29229	Pacemaker Drape with Fenestrated Incise, Sterile	12
29231	Pacemaker Drape with Fenestrated Incise, Non-Sterile	12

FEMORAL ANGIOGRAPHY/IJ ACCESS COMBINATION DRAPE, 200 X 360 CM

- SMS
- Absorbent CONTROL* Plus fabric reinforcement
- Two 9 cm adhesive circular fenestrations
- Two 18 x 18 cm trapezoidal fenestrations
- Clear side poly windows

CODE	DESCRIPTION	ITEMS/CASE
29225	Femoral Angiography/IJ Access Combination Drape, Sterile	15
29226	Femoral Angiography/IJ Access Combination Drape, Non-Sterile	15

All codes in **bold** indicate a sterile product.

FEMORAL ANGIOGRAPHY DRAPE, 200 X 342 CM, WITH SIDE AND BOTTOM WINDOWS

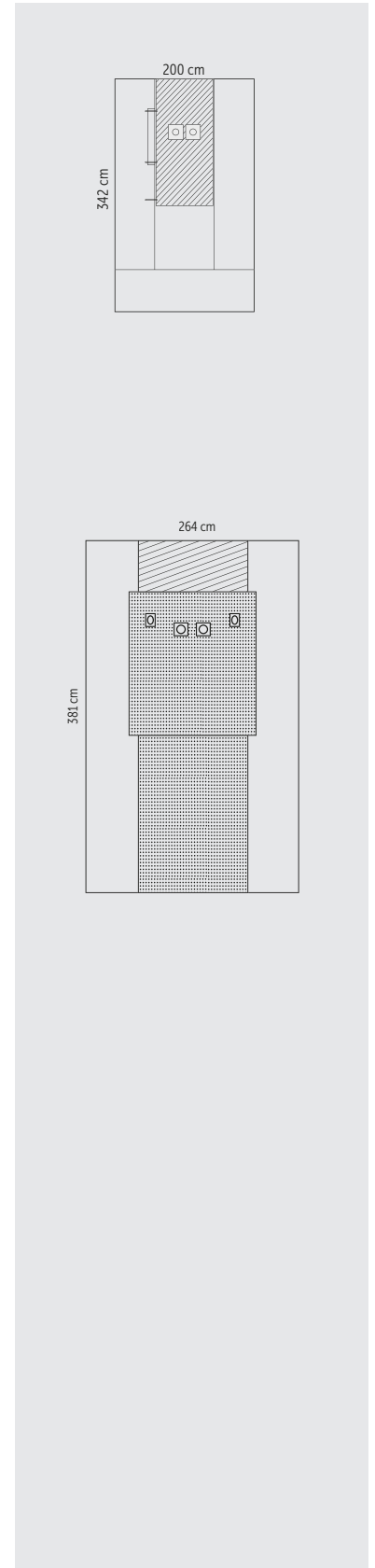
- SMS
- 15 cm Diameter Fenestration
- Side Window 58 x 281 cm
- Bottom Window 61 x 200 cm
- CONTROL[†] Plus Fabric Reinforcement 81 x 183 cm

CODE	DESCRIPTION	ITEMS/CASE
29227[†]	Femoral Angiography Drape with Side and Bottom Windows, Sterile	13
29228 [†]	Femoral Angiography Drape with Side and Bottom Windows, Non-Sterile	14

IMPERVIOUS RADIAL FEMORAL ANGIOGRAPHY DRAPE, 264 X 381 CM, WITH DUAL WINDOWS

- SMS
- Dual Windows 72 x 381 cm
- Two Round Fenestrations, Diameter 13.3 cm
- Two Oval Fenestrations 7.6 x 12.7 cm
- CONTROL[†] Fabric Reinforcement 137 x 180 cm
- Extra CONTROL[†] Fabric Reinforcement at the Bottom 120 x 161 cm

CODE	DESCRIPTION	ITEMS/CASE
K797067	Impervious Radial Femoral Angiography Drape with Dual Windows, Non-Sterile	20

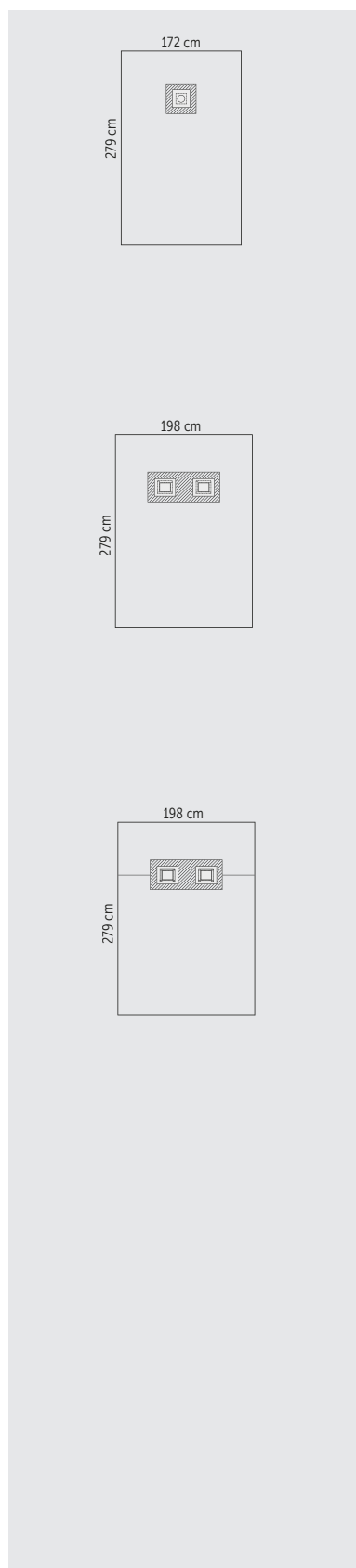


All codes in **bold** indicate a sterile product.

[†] Expect a longer lead time.

CATHETER PLACEMENT

CATHETER PLACEMENT DRAPES



CVC DRAPE, SINGLE FENESTRATION, 172 X 279 CM

- SMS
- Absorbent CONTROL[®] Plus Fabric Reinforcement
- 10 cm Fenestration
- Incise Window

CODE	DESCRIPTION	ITEMS/CASE
29149	CVC Drape, Single Fenestration, Sterile	20
29148	CVC Drape, Single Fenestration, Non-Sterile	27

PICC DRAPE, DUAL FENESTRATION, 198 X 279 CM

- SMS
- Absorbent CONTROL[®] Plus Fabric Reinforcement
- 12 x 15 cm Fenestration
- 5 cm Incise Clear Window

CODE	DESCRIPTION	ITEMS/CASE
29155	PICC Drape, Dual Fenestration, Sterile	19
29150	PICC Drape, Dual Fenestration, Non-Sterile	23

PICC DRAPE WITH SIDE PERFORATIONS, 198 X 279 CM

- SMS
- CONTROL[®] Plus Fabric Reinforcement 104 x 43 cm
- Two 30 x 25 cm Fenestrations
- Clear Film around Fenestration
- Adhesive Tape with Release Liner

CODE	DESCRIPTION	ITEMS/CASE
31447	PICC Drape with Side Perforations, Non-Sterile	23

All codes in **bold** indicate a sterile product.

PAEDIATRICS

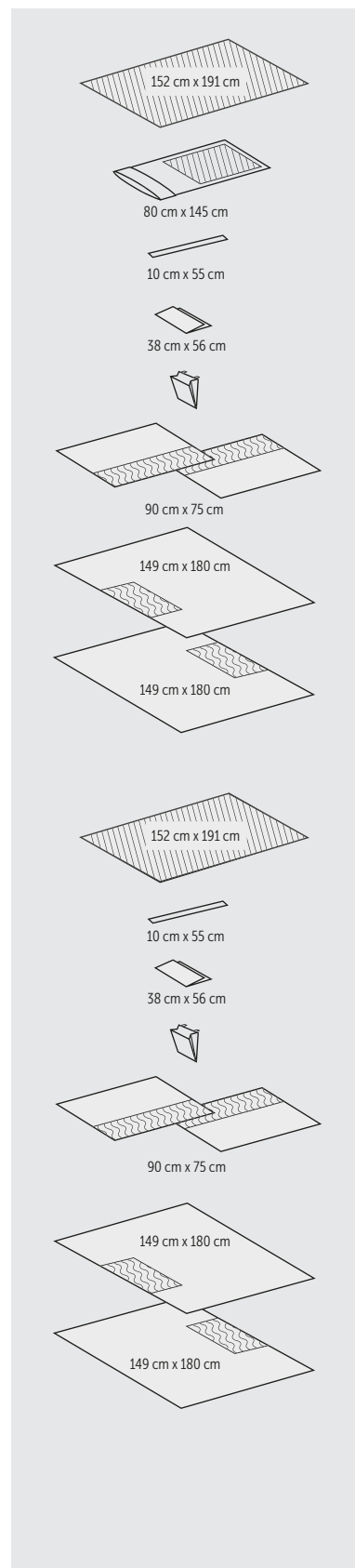
PAEDIATRICS PACKS

UNIVERSAL PACK, SMALL

CODE	DESCRIPTION		ITEMS/CASE
88762	Universal Pack, Small, incl. Mayo Stand Cover		11
STERILE	NON-STERILE	CONTENTS	
-	-	1 Sterilisation Wrap 96 x 96 cm	
89603	79603	1 Mayo Stand Cover 80 x 145 cm	
42222	42428	1 Back Table Cover, Reinforced 152 x 191 cm	
89053	79053	1 Tape Strip 10 x 55 cm	
89701	79720	1 Absorbent Towel 38 x 56 cm	
-	-	1 Suture Bag	
-	-	2 Side Drapes 90 x 75 cm: • Positioning Tape, 2.5 cm width • CONTROL [®] Fabric Reinforcement	
-	79214	1 Bottom Drape 149 x 180 cm: • Positioning Tape, 2.5 cm width • CONTROL [®] Fabric Reinforcement	
-	79215	1 Top Drape 149 x 180 cm: • Positioning Tape, 2.5 cm width • CONTROL [®] Fabric Reinforcement	

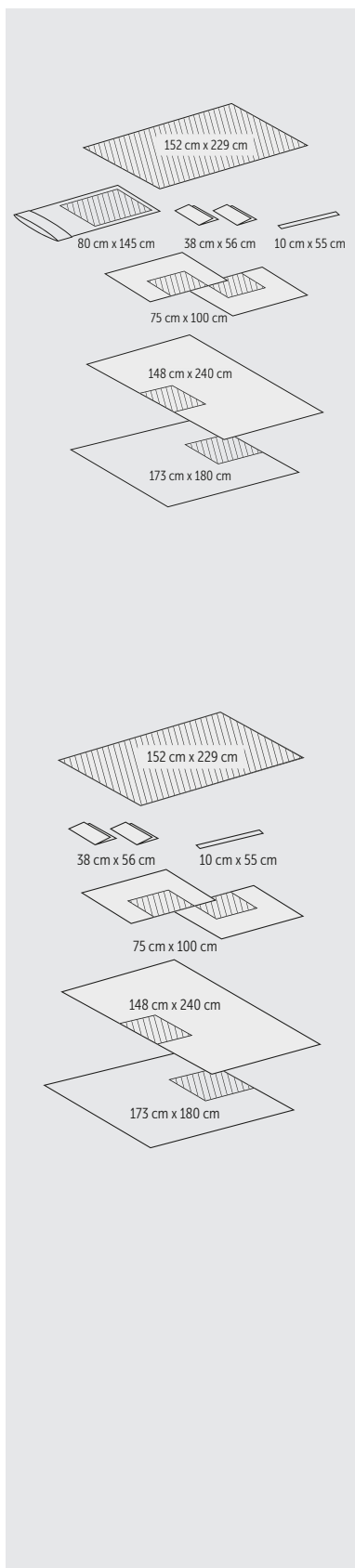
UNIVERSAL PACK, SMALL

CODE	DESCRIPTION		ITEMS/CASE
88763	Universal Pack, Small, excl. Mayo Stand Cover		11
STERILE	NON-STERILE	CONTENTS	
-	-	1 Sterilisation Wrap 96 x 96 cm	
42222	42428	1 Back Table Cover, Reinforced 152 x 191 cm	
89053	79053	1 Tape Strip 10 x 55 cm	
89701	79720	1 Absorbent Towel 38 x 56 cm	
-	-	2 Side Drapes 90 x 75 cm: • Positioning Tape, 2.5 cm width • CONTROL [®] Fabric Reinforcement	
-	79214	1 Bottom Drape 149 x 180 cm: • Positioning Tape, 2.5 cm width • CONTROL [®] Fabric Reinforcement	
-	79215	1 Top Drape 149 x 180 cm: • Positioning Tape, 2.5 cm width • CONTROL [®] Fabric Reinforcement	



All codes in **bold** indicate a sterile product.

UNIVERSAL PACK



CODE	DESCRIPTION		ITEMS/CASE
88100	Universal Pack, incl. Mayo Stand Cover		12
	STERILE	NON-STERILE	CONTENTS
	42224	42451	1 Back Table Cover, Reinforced 152 x 229 cm
	89603	79603	1 Mayo Stand Cover 80 x 145 cm
	89053	79053	1 Tape Strip 10 x 55 cm
	89701	79720	2 Absorbent Towels 38 x 56 cm
	-	79012	2 Side Drapes 75 x 100 cm: <ul style="list-style-type: none"> • Positioning Tape • CONTROL⁺ Plus Fabric Reinforcement
	-	79011	1 Bottom Drape 173 x 180 cm: <ul style="list-style-type: none"> • Positioning Tape • CONTROL⁺ Plus Fabric Reinforcement
	-	79010	1 Top Drape 148 x 240 cm: <ul style="list-style-type: none"> • Positioning Tape • CONTROL⁺ Plus Fabric Reinforcement

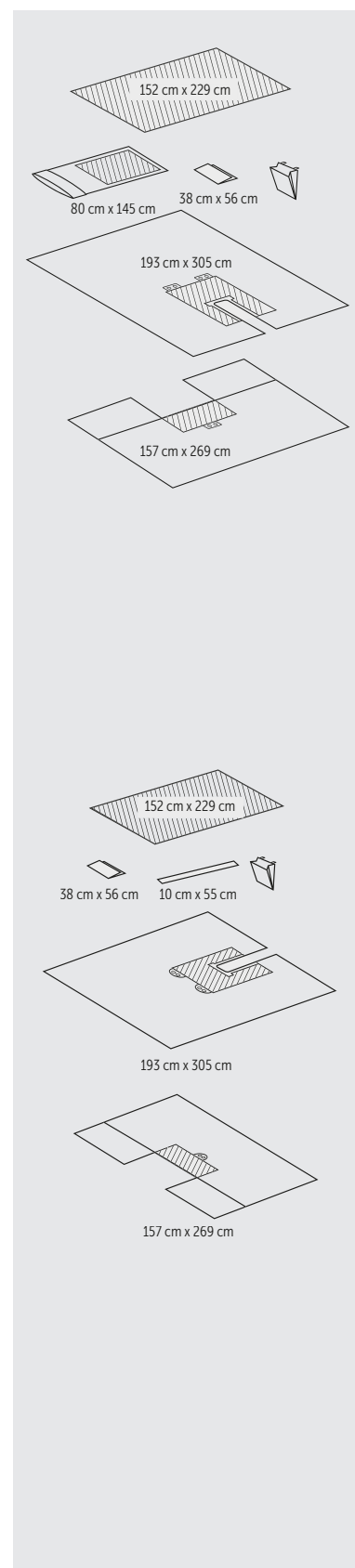
UNIVERSAL PACK

CODE	DESCRIPTION		ITEMS/CASE
88103	Universal Pack, excl. Mayo Stand Cover		12
	STERILE	NON-STERILE	CONTENTS
	-	-	1 Sterilisation Wrap 96 x 96 cm
	42224	42451	1 Back Table Cover, Reinforced 152 x 229 cm
	89053	79053	1 Tape Strip 10 x 55 cm
	89701	79720	2 Absorbent Towels 38 x 56 cm
	-	79012	2 Side Drapes 75 x 100 cm: <ul style="list-style-type: none"> • Positioning Tape • CONTROL⁺ Plus Fabric Reinforcement
	-	79011	1 Bottom Drape 173 x 180 cm: <ul style="list-style-type: none"> • Positioning Tape • CONTROL⁺ Plus Fabric Reinforcement
	-	79010	1 Top Drape 148 x 240 cm: <ul style="list-style-type: none"> • Positioning Tape • CONTROL⁺ Plus Fabric Reinforcement

All codes in **bold** indicate a sterile product.

U-BAR* PACK VI

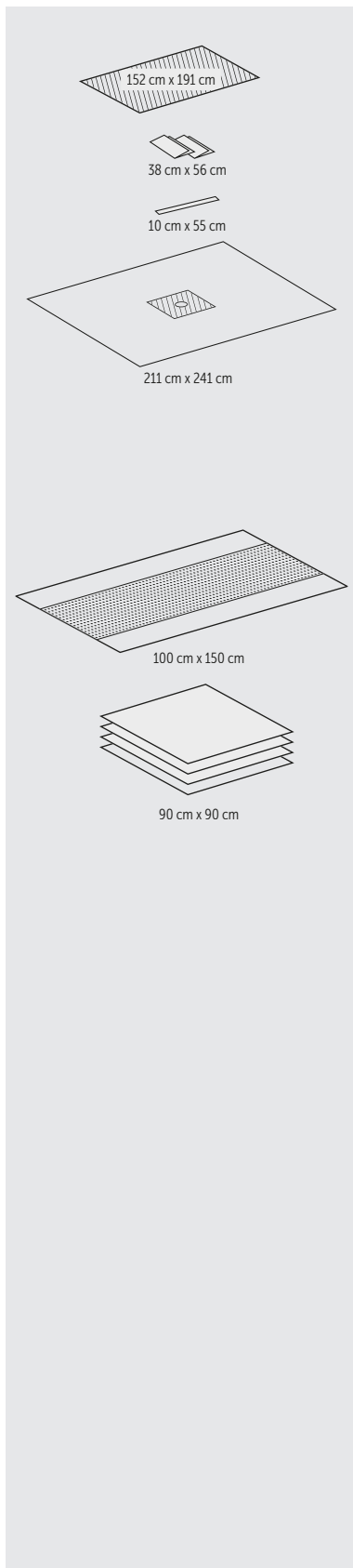
CODE	DESCRIPTION		ITEMS/CASE
77794	U-BAR* Pack VI		9
STERILE	NON-STERILE	CONTENTS	
-	-	1 Sterilisation Wrap 96 x 96 cm	
-	42451	1 Back Table Cover, Reinforced 152 x 229 cm	
89603	79603	1 Mayo Stand Cover 80 x 145 cm	
89701	79720	1 Absorbent Towel 38 x 56 cm	
-	-	1 Suture Bag	
-	76361	1 U-Drape 193 x 305 cm: <ul style="list-style-type: none"> • Split 10 x 101 cm • Positioning Tape • CONTROL* Plus Fabric Reinforcement • Tube Holders 	
-	76363	1 Bar Drape 157 x 269 cm: <ul style="list-style-type: none"> • Armboard Covers • Positioning Tape • CONTROL* Plus Fabric Reinforcement • Tube Holders 	



U-BAR* PACK

CODE	DESCRIPTION		ITEMS/CASE
77853	U-BAR* Pack		10
STERILE	NON-STERILE	CONTENTS	
-	-	1 Sterilisation Wrap 89 x 89 cm	
-	42451	1 Back Table Cover, Reinforced 152 x 229 cm	
89701	79720	1 Absorbent Towel 38 x 56 cm	
-	-	1 Suture Bag	
-	76361	1 U-Drape 193 x 305 cm: <ul style="list-style-type: none"> • Split 10 x 101 cm • Positioning Tape • CONTROL* Plus Fabric Reinforcement • Tube Holders 	
-	76363	1 Bar Drape 157 x 269 cm: <ul style="list-style-type: none"> • Armboard Covers • Positioning Tape • CONTROL* Plus Fabric Reinforcement • Tube Holders 	
89053	79053	1 Tape Strip 10 x 55 cm	

All codes in **bold** indicate a sterile product.



SMALL PROCEDURE PACK II

CODE	DESCRIPTION		ITEMS/CASE
7717	Small Procedure Pack II		10
	STERILE	NON-STERILE	CONTENTS
	-	-	Sterilisation Wrap 89 x 89 cm
4222	42428		1 Back Table Cover, Reinforced 152 x 191 cm
	-	-	1 Fenestrated Drape 211 x 241 cm: <ul style="list-style-type: none"> • Circular Fenestration 12 cm centered • CONTROL* Plus Fabric Reinforcement
89701	79720		2 Absorbent Towels 38 x 56 cm
89053	79053		1 Tape Strip 10 x 55 cm

HALYARD BASICS* BASIC PACK

CODE	DESCRIPTION		ITEMS/CASE
89682	HALYARD BASICS* Basic Pack		10
	STERILE	NON-STERILE	CONTENTS
89632	79741		1 Back Table Cover, Zone Reinforced, 100 x 150 cm: <ul style="list-style-type: none"> • Spunbond
89679	79783		4 Utility Drapes with Tape, 90 x 90 cm: <ul style="list-style-type: none"> • Spunbond Film

All codes in **bold** indicate a sterile product.

PAEDIATRICS DRAPES

FENESTRATED DRAPES

MINOR PROCEDURE FENESTRATED DRAPE, 76 X 76 CM

- Fenestration 3 x 5 cm
- CONTROL* Fabric Reinforcement 12 x 20 cm
- Positioning Tape

CODE	DESCRIPTION	ITEMS/CASE	ITEMS/DISPENSER	DISPENSERS/CASE
89206	Minor Procedure Fenestrated Drape, Sterile	100	25 x 4	4
79206	Minor Procedure Fenestrated Drape, Non-Sterile	250	-	-

MINOR PROCEDURE FENESTRATED DRAPE, 122 X 152 CM

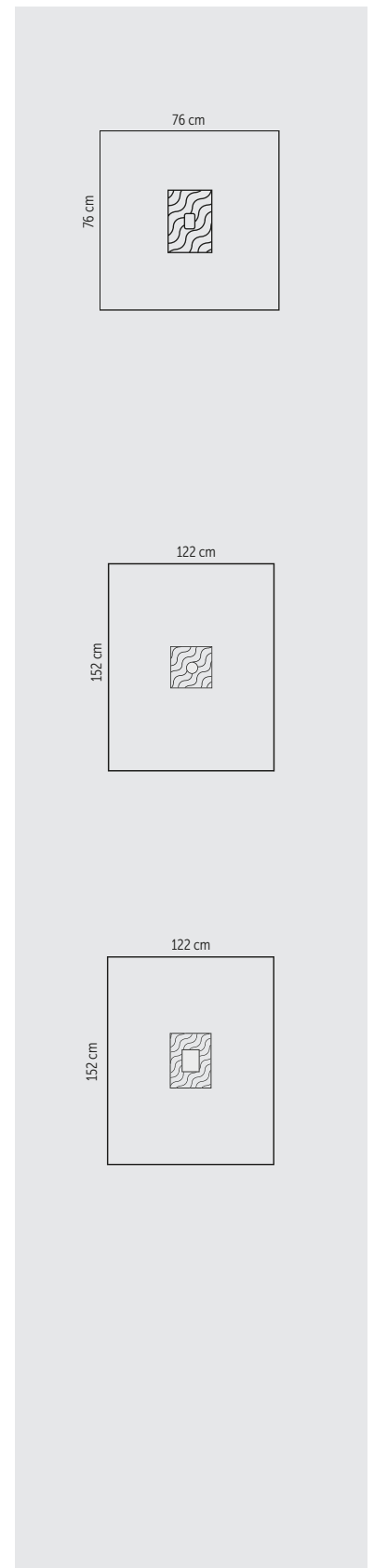
- Fenestration (Diameter 7 cm)
- CONTROL* Fabric Reinforcement 31 x 31 cm
- Positioning Tape

CODE	DESCRIPTION	ITEMS/CASE
89207	Minor Procedure Fenestrated Drape, Sterile	40
79207	Minor Procedure Fenestrated Drape, Non-Sterile	60

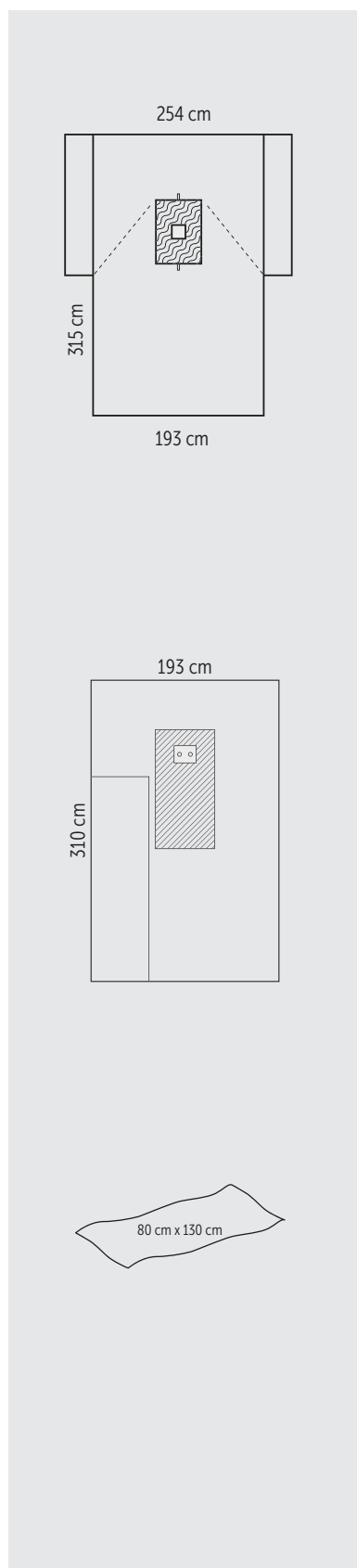
MINOR PROCEDURE FENESTRATED DRAPE, 122 X 152 CM

- Fenestration 12 x 15 cm
- CONTROL* Fabric Reinforcement 41 x 31 cm
- Positioning Tape

CODE	DESCRIPTION	ITEMS/CASE
89208	Minor Procedure Fenestrated Drape, Sterile	40
79208	Minor Procedure Fenestrated Drape, Non-Sterile	60



All codes in **bold** indicate a sterile product.



BREAST/CHEST DRAPES

BREAST DRAPE, 254 X 315 X 193 CM

- Fenestration 15 x 15 cm
- CONTROL[®] Fabric Reinforcement 51 x 71 cm
- Hook and Loop Tube and Line Control
- Armboard Covers

CODE	DESCRIPTION	ITEMS/CASE
89236	Breast Drape, Sterile	10
79236	Breast Drape, Non-Sterile	20

LAPAROTOMY DRAPES

PAEDIATRIC FEMORAL ANGIOGRAPHY DRAPE, 193 X 310 CM, WITH SINGLE WINDOW

- 64 x 215 cm Window
- Two 7.6 cm Diameter Fenestrations
- CONTROL[®] Plus Fabric Reinforcement 122 x 61 cm
- Positioning Tape

CODE	DESCRIPTION	ITEMS/CASE
77382	Paediatric Femoral Angiography Drape with Single Window, Sterile	25
76382	Paediatric Femoral Angiography Drape with Single Window, Non-Sterile	14

BABY BLANKETS

BABY BLANKET, 80 X 130 CM

- Absorbent

CODE	DESCRIPTION	ITEMS/CASE
76394	Baby Blanket, Non-Sterile	141

All codes in **bold** indicate a sterile product.

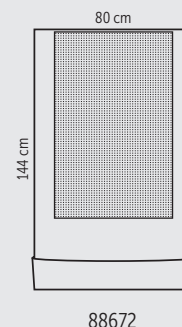
EQUIPMENT COVERS

EQUIPMENT COVERS

MAYO STAND COVERS

MAYO STAND COVERS

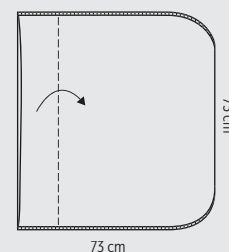
CODE		DESCRIPTION	ITEMS/CASE	
STERILE	NON-STERILE		STERILE	NON-STERILE
89601	79601	Mayo Stand Cover, 58 x 137 cm	54	150
-	79602	Mayo Stand Cover, 76 x 145 cm	-	120
89603	79603	Mayo Stand Cover, 80 x 145 cm	44	120
88672	-	HALYARD BASICS* Mayo Stand Cover, 80 x 144 cm: <ul style="list-style-type: none"> • Zone-Reinforced • Spunbond 	40	90
14007	76358	Reinforced Mayo Stand Cover, 76 x 145 cm: <ul style="list-style-type: none"> • CONTROL* Plus Fabric Reinforcement 61 x 76 cm 	44	68
77883	-	Mayo Cover Reinforcement 60 x 80 cm: <ul style="list-style-type: none"> • CONTROL* Plus Fabric Reinforcement 	50	-
77452	-	Large Mayo Stand Cover, 121 x 182 cm <ul style="list-style-type: none"> • CONTROL* Plus Fabric Reinforcement 119 x 88 cm • Cuff 18 cm 	15	-
-	K796011	Reinforced Mayo Stand Cover, 80 x 145 cm <ul style="list-style-type: none"> • CONTROL* Fabric Reinforcement 	-	60
-	K796012	Reinforced Mayo Stand Cover, 95 x 195 cm <ul style="list-style-type: none"> • CONTROL* Fabric Reinforcement 	-	54



STOOL COVERS

STOOL COVER

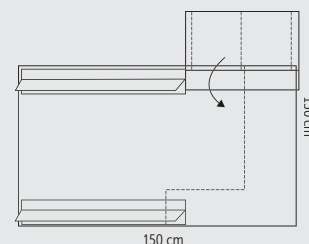
CODE		DESCRIPTION	ITEMS/CASE	
STERILE	NON-STERILE		STERILE	NON-STERILE
-	K103502	Stool Cover, 73 x 73 cm, Non-Sterile <ul style="list-style-type: none"> • SMS 	-	150
K103600	-	Stool Cover, 73 x 73 cm, Sterile <ul style="list-style-type: none"> • SMS 	140	-



COVER HOOD DRAPES

COVER HOOD DRAPE, 150 X 150 CM

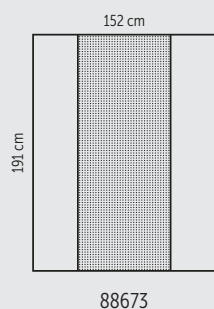
CODE		DESCRIPTION	ITEMS/CASE	
STERILE	NON-STERILE		STERILE	NON-STERILE
-	K796111	Cover Hood Drape, 150 x 150 cm, Non-Sterile <ul style="list-style-type: none"> • Chamber Pouch 60 x 30 cm • CONTROL* Fabric Reinforcement 	-	56



All codes in **bold** indicate a sterile product.

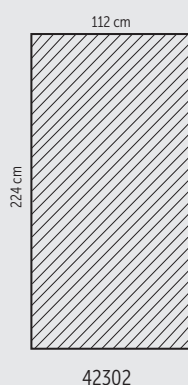
BACK TABLE COVERS

BACK TABLE COVERS, ZONE-REINFORCED



CODE	DESCRIPTION		ITEMS/CASE	
	STERILE	NON-STERILE	STERILE	NON-STERILE
89632	79741	HALYARD BASICS [®] Back Table Cover, Zone-Reinforced, 100 x 150 cm: • Spunbond	50	70
88673	78669	HALYARD BASICS [®] Back Table Cover, Zone-Reinforced, 152 x 191 cm: • Spunbond	20	50

BACK TABLE COVERS, REINFORCED



CODE	DESCRIPTION		ITEMS/CASE	
	STERILE	NON-STERILE	STERILE	NON-STERILE
42217	42448	Back Table Cover, Reinforced, 112 x 229 cm	28	640
-	42447	Back Table Cover, Reinforced, 112 x 198 cm	-	800
-	42446	Back Table Cover, Reinforced, 112 x 112 cm	-	1280
42226[†]	42228	Back Table Cover, Reinforced, 178 x 279 cm	-	320
-	42449	Back Table Cover, Reinforced, 127 x 229 cm	-	560
42222	42428	Back Table Cover, Reinforced, 152 x 191 cm	28	540
-	42481	Back Table Cover, Reinforced, 152 x 152 cm	-	660
-	42233 [†]	Back Table Cover, Reinforced, 152 x 229 cm	-	400
-	42409 [†]	Back Table Cover, Reinforced, Fan Fold, 178 x 279 cm	36	200
-	42366 [†]	Back Table Cover, Reinforced, Heavy Duty, Fan Fold, 152 x 229 cm	-	200
-	42367 [†]	Back Table Cover, Reinforced, Heavy Duty, 178 x 279 cm	-	160
-	42302	Back Table Cover, Reinforced, Fan Fold, 112 x 224 cm	28	60
42345	42365	Back Table Cover, Reinforced, 140 x 190 cm	24	420
-	42480	Back Table Cover, Reinforced, 150 x 150 cm	-	720
42224	42451	Back Table Cover, Reinforced, 152 x 229 cm	36	480
42312	42313	Back Table Cover, Reinforced, 191 x 201 cm	20	32
-	76372	Back Table Cover, Reinforced, 190 x 200 cm • CONTROL [®] Plus Fabric Reinforcement 102 x 241 cm	-	8
42309	-	Back Table Cover, Reinforced, Heavy Duty, 177 x 279 cm	15	-

[†] Expect a longer lead time.

All codes in **bold** indicate a sterile product.

ACCESSORIES

ACCESSORIES

UNDER BUTTOCKS DRAPES

UNDER BUTTOCKS DRAPE, PLASTIC, 75 X 112 CM

CODE	DESCRIPTION	ITEMS/CASE
89411	Under Buttocks Drape, Plastic, Sterile	48

UNDER BUTTOCKS DRAPE, ZONE REINFORCED, MEDIUM, 97 X 112 CM

- Film Fabric Reinforcement

CODE	DESCRIPTION	ITEMS/CASE
79411	Under Buttocks Drape, Zone Reinforced, Medium, Non-Sterile	115

UNDER BUTTOCKS DRAPE, PLASTIC REINFORCED, LARGE, 102 X 117 CM

CODE	DESCRIPTION	ITEMS/CASE
89413	Under Buttocks Drape, Plastic Reinforced, Large, Sterile	50

UNDER BUTTOCKS DRAPE, 102 X 112 CM

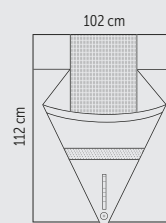
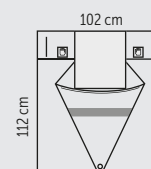
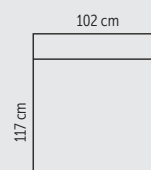
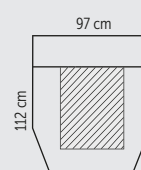
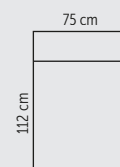
- With Fluid Collection Pouch, Screen and Suction Port
- Adhesive Pouch Closure

CODE	DESCRIPTION	ITEMS/CASE
89415	Under Buttocks Drape, Sterile	40
79415	Under Buttocks Drape, Non-Sterile	100

HALYARD BASICS* UNDER BUTTOCKS DRAPE, 102 X 112 CM

- With Graduated Fluid Collection Pouch
- Spunbond

CODE	DESCRIPTION	ITEMS/CASE
89584	HALYARD BASICS* Under Buttocks Drape, Sterile	65



All codes in **bold** indicate a sterile product.

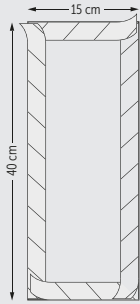
See Back Cover for Trademark Information

Accessories

PERINEAL COVER DRAPES

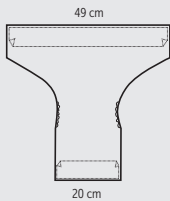
HALYARD BASICS* PERINEAL COVER DRAPE WITH TAPE, 15 X 40 CM

- Spunbond Film
- Positioning Tape



CODE	DESCRIPTION	ITEMS/CASE
89675	HALYARD BASICS* Perineal Cover Drape with Tape, Sterile	100
79697	HALYARD BASICS* Perineal Cover Drape with Tape, Non-Sterile	500

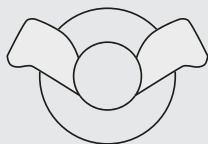
PERINEAL COVER DRAPE, 33 X 49 X 20 CM



CODE	DESCRIPTION	ITEMS/CASE
K100302	Perineal Cover Drape, Non-Sterile	300

IMPERVIOUS STOCKINETTES

IMPERVIOUS STRETCHABLE STOCKINETTE, SMALL, 17 X 76 CM



CODE	DESCRIPTION	ITEMS/CASE
89861	Impervious Stretchable Stockinette, Small, Sterile	45
79861	Impervious Stretchable Stockinette, Small, Non-Sterile	90

IMPERVIOUS STRETCHABLE STOCKINETTE, LARGE, 25 X 121 CM

CODE	DESCRIPTION	ITEMS/CASE
89881	Impervious Stretchable Stockinette, Large, Sterile	30
79881	Impervious Stretchable Stockinette, Large, Non-Sterile	56

IMPERVIOUS STOCKINETTE, MEDIUM, 23 X 112 CM

CODE	DESCRIPTION	ITEMS/CASE
89811	Impervious Stockinette, Medium, Sterile	36

All codes in **bold** indicate a sterile product.

IMPERVIOUS STOCKINETTE, LARGE, 30 X 122 CM

CODE	DESCRIPTION	ITEMS/CASE
89821	Impervious Stockinette, Large, Sterile	25

ARMBBOARD COVERS

ARMBBOARD COVER

- Cuff 15 cm

CODE	DESCRIPTION	ITEMS/CASE
76331	Armboard Cover, 71 x 80 cm, Non-Sterile	200
76214	Armboard Cover, 61 x 72 cm, Sterile	164
76300	Armboard Cover, 61 x 72 cm, Non-Sterile	166

LEGGINGS

LEGGINGS, 79 X 122 CM, WITH 15 CM CUFF

CODE	DESCRIPTION	ITEMS/PACKAGE	ITEMS/CASE
89408	Leggings, Sterile Pair	2	52 (2x26)
79408	Leggings, Non-Sterile	-	70

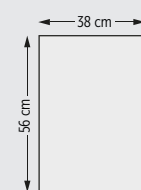
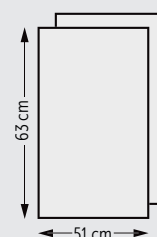
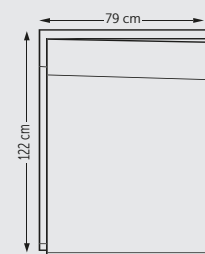
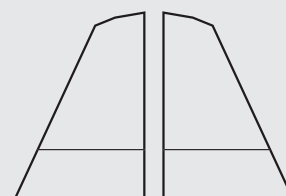
TOWELS

DISPOSABLE HUCK TOWELS, 51 X 63 CM

CODE	DESCRIPTION	ITEMS/PACKAGE	ITEMS/CASE
89021	Disposable Huck Towel, Sterile	2	284 (2x142)
79725	Disposable Huck Towel, Non-Sterile	-	300

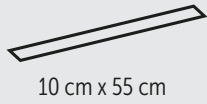
ABSORBENT TOWELS, 38 X 56 CM

CODE	DESCRIPTION	ITEMS/PACKAGE	ITEMS/CASE
89701	Absorbent Towel, Sterile	2	200 (2x100)
79720	Absorbent Towel, Non-Sterile	-	1.000



All codes in **bold** indicate a sterile product.

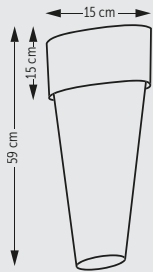
TAPE STRIPS



TAPE STRIPS, 10 X 55 CM

CODE	DESCRIPTION	ITEMS/PACKAGE	ITEMS/CASE
89053	Tape Strips, Sterile	2	600
79053	Tape Strips, Non-Sterile	-	1.000

SLEEVES

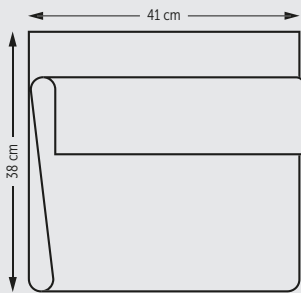


SLEEVE, 15 X 59 CM

CODE	DESCRIPTION	ITEMS/PACKAGE	ITEMS/CASE
89791	Sleeve, Sterile	1	100

POUCHES

DIATHERMY POUCH, 38 X 41 CM



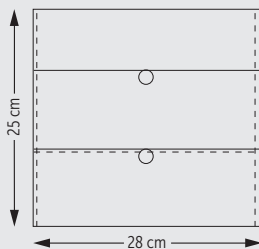
CODE	DESCRIPTION	ITEMS/PACKAGE	ITEMS/CASE
89945	Diathermy Pouch, Sterile	1	150
79945	Diathermy Pouch, Non-Sterile	-	220

DIATHERMY POUCH, SMS HEAVY DUTY, 27 X 29 CM

- 2 Tape Strips at the Back

CODE	DESCRIPTION	ITEMS/PACKAGE	ITEMS/CASE
76270	Diathermy Pouch, SMS Heavy Duty, Sterile	1	200

INSTRUMENT POUCH, 25 X 28 CM



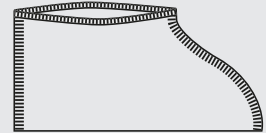
CODE	DESCRIPTION	ITEMS/PACKAGE	ITEMS/CASE
K100301	Instrument Pouch, Non-Sterile	-	300

All codes in **bold** indicate a sterile product.

FOOT COVERS

FOOT COVERS

CODE	DESCRIPTION	ITEMS/PACKAGE	ITEMS/CASE
76334	Foot Cover, Non-Sterile	1	300
76340	Foot Cover, Non-Sterile	1	400



MEDISHEETS

MEDISHEETS

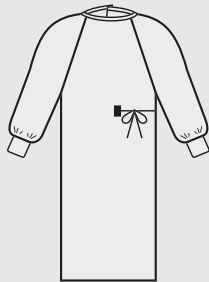
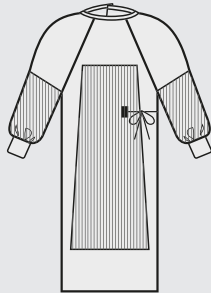
- Polypropylene Spunbond Woven Cotton Fiber
- HD Polyethylene Underlayer
- Pulp

CODE	DESCRIPTION	ITEMS/CASE
QW030201	Medisheet Operating Table Cover, 102 x 228 cm, Non-Sterile	20
QW034601	Medisheet Operating Table Cover, 102 x 228 cm, with Lift Sheet, Non-Sterile	20
QW102301	Medisheet Operating Table Cover, 105 x 155 cm, Non-Sterile	50

All codes in **bold** indicate a sterile product.

HALYARD BASICS*

HALYARD BASICS* SURGICAL GOWNS



HALYARD BASICS* FABRIC-REINFORCED SURGICAL GOWNS

- SMS Fabric
- Fabric-Reinforced Chest and Sleeves
- Overlapping Back
- Raglan Sleeves
- Low Linting Fabric
- Book Fold
- Sterile Gown packaged with 2 Towels

CODE	SIZE		LENGTH*	ITEMS/CASE	
	STERILE	NON-STERILE		STERILE	NON-STERILE
13815	/	X-Large, XX-Long	175 cm	32	/

HALYARD BASICS* SURGICAL GOWNS

- SMS Fabric
- Overlapping Back
- Raglan Sleeves
- Low Linting Fabric
- Book Fold
- Sterile Gown packaged with 2 Towels

CODE	SIZE		LENGTH*	ITEMS/CASE	
	STERILE	NON-STERILE		STERILE	NON-STERILE
11783	79284	Large	124 cm	40	640
11784	79285	X-Large	131 cm	40	560
13337	/	X-Large, XX-Long	175 cm	40	/
99294	79294	Large, X-Long	145 cm	40	560
99295	79295	X-Large, X-Long	157 cm	40	560
/	33916	Large - Towel in Overwrap (handi-bin)	124 cm	/	440
/	33917	X-Large - Towel in Overwrap (handi-bin)	131 cm	/	400
/	32109	Large, X-Long	145 cm	/	460
/	32113	X-Large, X-Long	157 cm	/	380



* length back (neck to bottom)

All codes in **bold** indicate a sterile product.

EVOLUTION* 4

EVOLUTION* 4 SURGICAL GOWNS

FABRIC-REINFORCED SURGICAL GOWNS

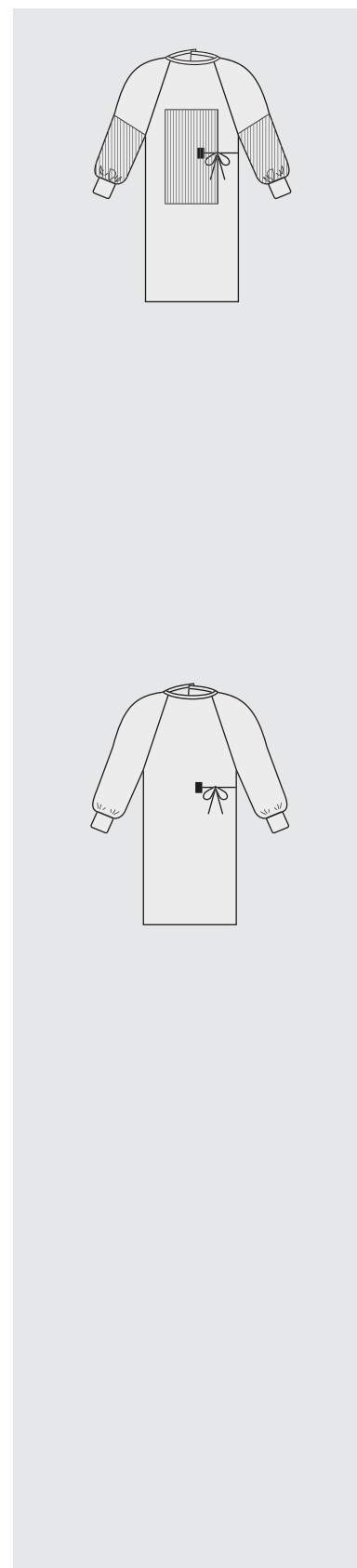
- EVOLUTION* 4 SMS Fabric
- Fabric-Reinforced Chest and Sleeves
- Raglan Sleeves
- Low Linting Fabric
- Color Coded Neck Binding
- Adjustable Neckline - Hook and Loop
- Book Fold
- Sterile Gown packaged with 2 Towels


CODE		SIZE	LENGTH*	ITEMS/CASE	
STERILE	NON-STERILE			STERILE	NON-STERILE
90112	78911	Large	123 cm	32	36
90113	78913	Large, X-Long	143 cm	30	54
90142	78921	X-Large	127 cm	30	36
90143	78923	X-Large, X-Long	148 cm	32	48

STANDARD SURGICAL GOWNS

- EVOLUTION* 4 SMS Fabric
- Raglan Sleeves
- Low Linting Fabric
- Color Coded Neck Binding
- Adjustable Neckline - Hook and Loop
- Book Fold
- Sterile Gown packaged with 1 Towel

CODE		SIZE	LENGTH*	ITEMS/CASE	
STERILE	NON-STERILE			STERILE	NON-STERILE
90002	/	Small	115 cm	36	/
90012	79970	Large	123 cm	36	40
90042	79980	X-Large	127 cm	34	36
90013	79973	Large, X-Long	143 cm	34	60
90043	79983	X-Large, X-Long	148 cm	34	48



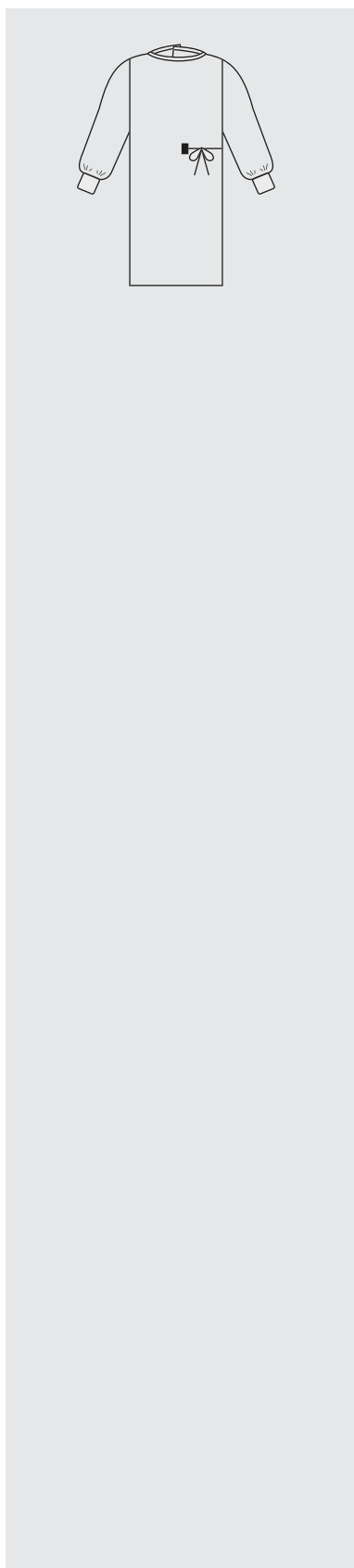
 Non-Reinforced Fabric

 Fabric-Reinforced

 High Performance Area

All codes in **bold** indicate a sterile product.

* length back (neck to bottom)



SET-IN-SLEEVE SURGICAL GOWNS

- EVOLUTION* 4 SMS Fabric
- Set-In-Sleeves
- Low Linting Fabric
- Color Coded Neck Binding
- Adjustable Neckline – Hook and Loop
- Book Fold
- Sterile Gown packaged with 2 Towels

CODE		SIZE	LENGTH*	ITEMS/CASE	
STERILE	NON-STERILE			STERILE	NON-STERILE
90016	72978	Large	117 cm	36	640
90046	72988	X-Large	127 cm	32	640
90019	70391	Large, X-Long	132 cm	34	66
90049	70392	X-Large, X-Long	137 cm	34	60
/	79419	Large – Towel in Overwrap	111 cm	/	512
/	79434	X-Large – Towel in Overwrap	121 cm	/	448

○ Non-Reinforced Fabric

◐ Fabric-Reinforced

● High Performance Area

* length back (neck to bottom)

All codes in **bold** indicate a sterile product.

ULTRA

ULTRA SURGICAL GOWNS

ULTRA FABRIC-REINFORCED SURGICAL GOWNS WITH NECK PROTECTION & THUMB LOOPS

- Proprietary 4th Generation SMS Fabric
- Extra Wide Fabric Reinforcements
- Raglan Sleeves
- Low Linting Fabric
- Color Coded Neck Binding
- Adjustable Neckline – Hook and Loop
- Neck Protection
- Thumb Loops
- Book Fold
- Sterile Gown packaged with 1 Towel

CODE	SIZE	LENGTH [†]	ITEMS/CASE		
STERILE	NON-STERILE	STERILE	NON-STERILE		
90363	77337	Large, X-Long	143 cm	30	48
90373	77336	X-Large, X-Long	148 cm	28	36

ULTRA FABRIC-REINFORCED SURGICAL GOWNS

- Proprietary 4th Generation SMS Fabric
- Extra Wide Fabric Reinforcements
- Raglan Sleeves
- Low Linting Fabric
- Color Coded Neck Binding
- Adjustable Neckline - Hook and Loop
- Book Fold
- Sterile Gown packaged with 1 Towel

CODE	SIZE	LENGTH [†]	ITEMS/CASE		
STERILE	NON-STERILE	STERILE	NON-STERILE		
95211	74911	Large	128 cm	30	32
95221	74921	X-Large	133 cm	28	28
/	74931 [‡]	XX-Large	137 cm	/	28
95224	77329	X-Large, X-Long	145 cm	28	54

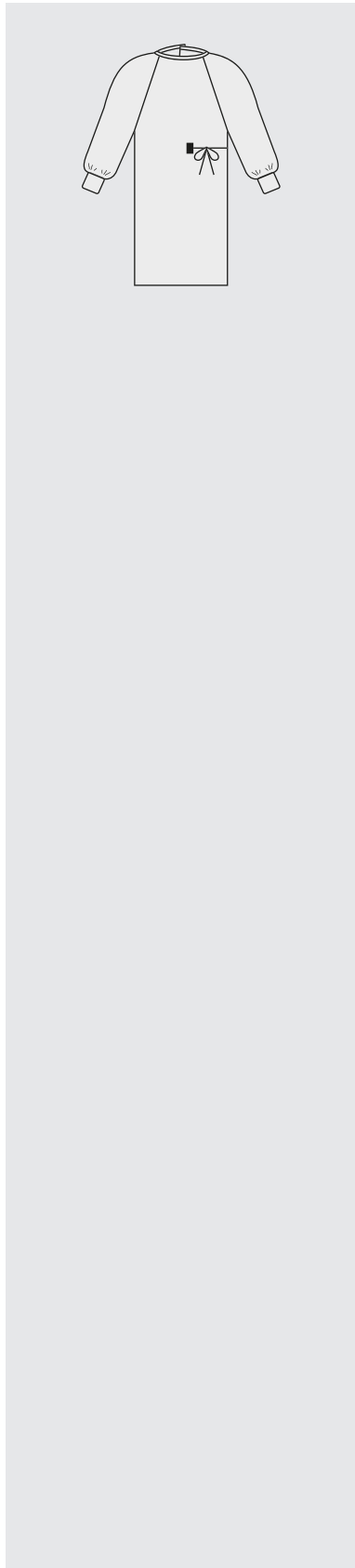


All codes in **bold** indicate a sterile product.

[†] length back (neck to bottom)

[‡] Expect a longer lead time.





ULTRA SURGICAL GOWNS

- Proprietary 4th Generation SMS Fabric
- Low Linting Fabric
- Raglan Sleeves
- Color Coded Neck Binding
- Adjustable Neckline - Hook and Loop
- Generous Cut
- Book Fold
- Sterile Gown packaged with 2 Towels (Gown **95131** packaged with 1 Towel)

CODE		SIZE	LENGTH ⁺	ITEMS/CASE	
STERILE	NON-STERILE			STERILE	NON-STERILE
/	71301	Small	115 cm	/	48
95113	71311	Large	123 cm	32	40
95123	71321	X-Large	128 cm	30	36
95131	71331	XX-Large	135 cm	28	36
95114	71626	Large, X-Long	138 cm	32	60
95124	71627	X-Large, X-Long	144 cm	30	48



Non-Reinforced Fabric



Fabric-Reinforced



High Performance Area

⁺ length back (neck to bottom)

All codes in **bold** indicate a sterile product.

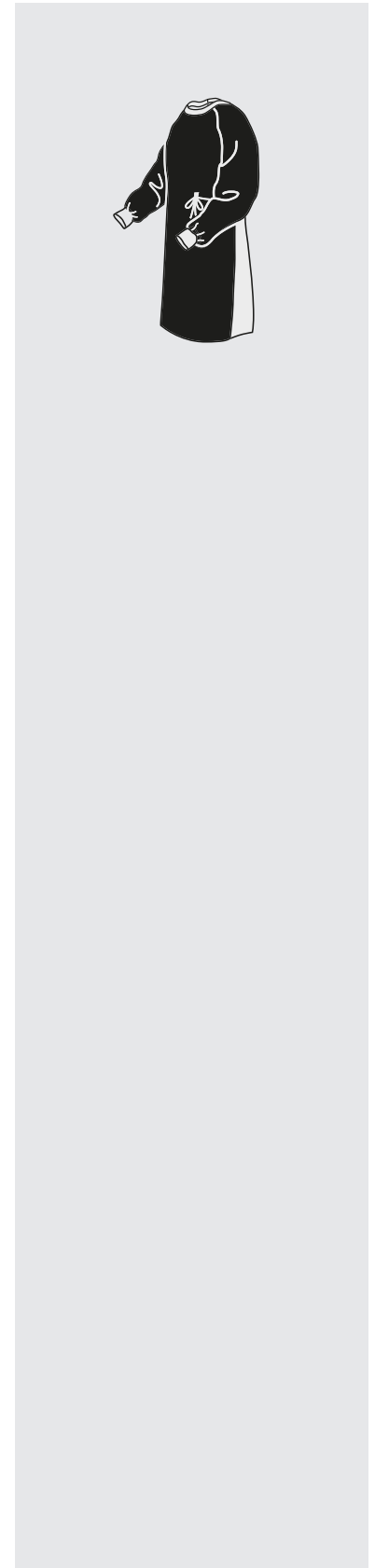
AERO BLUE*

AERO BLUE* SURGICAL GOWNS

AERO BLUE* PERFORMANCE SURGICAL GOWNS

- Breathable Impervious Fabric
- Front Panel: Innovative Cool Shield Core Technology allows moisture vapor to pass through without fluid penetration
- Highly Breathable Back Panel
- Raglan Sleeves
- Low Linting Fabric
- Color Coded Neck Binding
- Adjustable Neckline - Hook and Loop
- Book fold
- Sterile Gown packaged with 2 Towels

CODE	SIZE		LENGTH*	ITEMS/CASE	
	STERILE	NON-STERILE		STERILE	NON-STERILE
41928	41876	Large	125 cm	30	40
41929	41879	X-Large	131 cm	28	32
41930	41933	Large, X-Long	145 cm	30	36
41931	41934	X-Large, X-Long	146 cm	30	32
43942	41882	XX-Large	137 cm	28	32
43939	43623	XX-Large, X-Long	158 cm	28	30



 Non-Reinforced Fabric

 Fabric-Reinforced

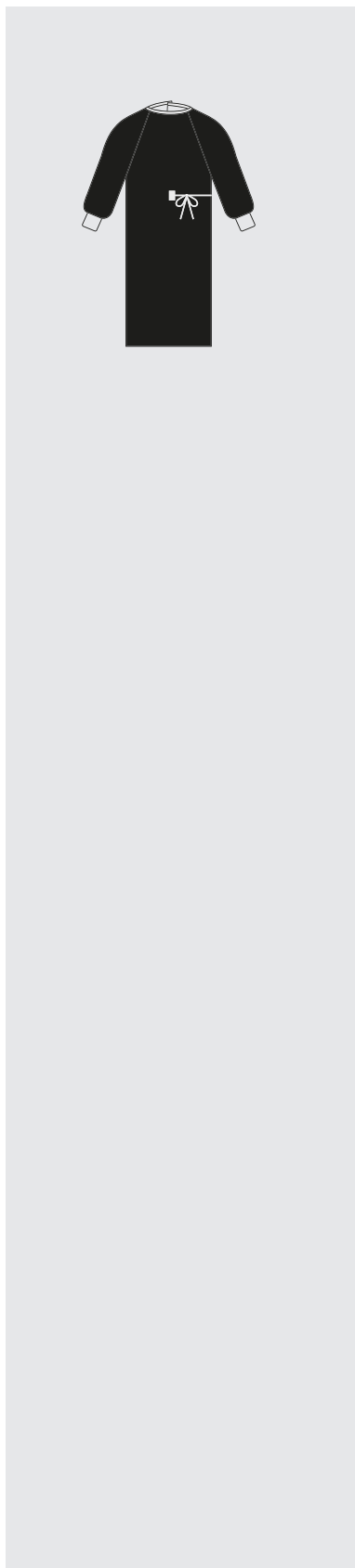
 High Performance Area

All codes in **bold** indicate a sterile product.

* length back (neck to bottom)

MICROCOOL*

MICROCOOL* SURGICAL GOWNS



MICROCOOL* BREATHABLE IMPERVIOUS HIGH PERFORMANCE GOWNS

- Breathable Impervious Fabric
- Generous Cut and Added Length
- Raglan Sleeves
- Low Linting Fabric
- Color Coded Neck Binding
- Adjustable Neckline - Hook and Loop
- Book Fold
- Sterile Gown packaged with 2 Towels

CODE		SIZE	LENGTH*	ITEMS/CASE	
STERILE	NON-STERILE			STERILE	NON-STERILE
40989	72438	Large	125 cm	30	40
40998	/	X-Large	130 cm	28	/
41000	73038	Large, X-Long	145 cm	30	36
41004	73041	X-Large, X-Long	150 cm	30	32

 Non-Reinforced Fabric

 Fabric-Reinforced

 High Performance Area

* length back (neck to bottom)

All codes in **bold** indicate a sterile product.

SPECIALTY

SPECIALTY SURGICAL GOWNS

IMPERVIOUS SURGICAL GOWN

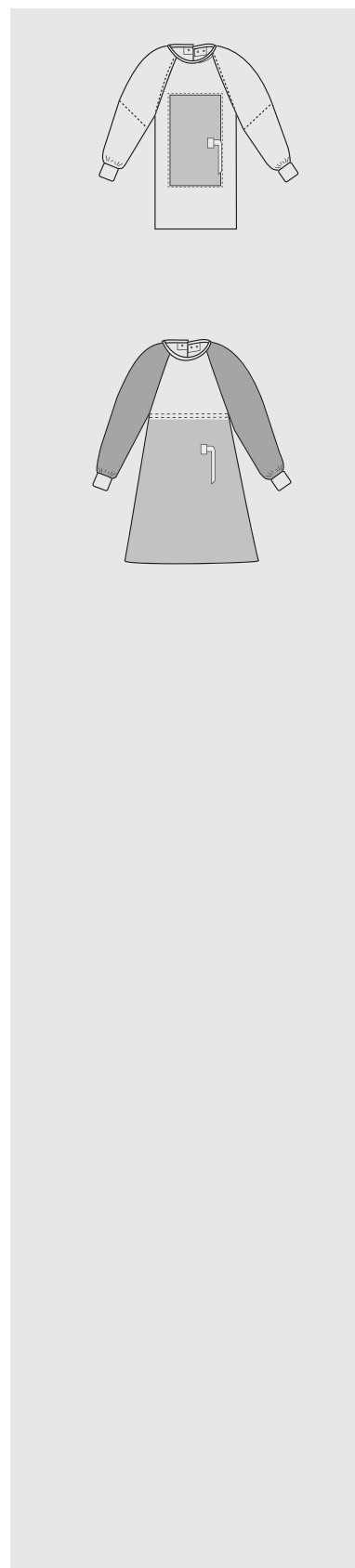
- SMS
- Fabric-Reinforced Chest

CODE		SIZE	LENGTH ⁺	ITEMS/CASE	
STERILE	NON-STERILE			STERILE	NON-STERILE
-	K793132	Large, X-Long	138 cm	-	48

SPECIALTY GOWN

- Fabric-Reinforced

CODE		SIZE	LENGTH ⁺	ITEMS/CASE	
STERILE	NON-STERILE			STERILE	NON-STERILE
-	K704082	Medium	137 cm	-	24



○ Non-Reinforced Fabric

◐ Fabric-Reinforced

● High Performance Area

All codes in **bold** indicate a sterile product.

INTEGUSEAL* MICROBIAL SEALANT

MICROBIAL SEALANTS



HALYARD* INTEGUSEAL* MICROBIAL SEALANT

- Protects against skin flora migration into surgical incisions
- Seals and immobilizes dangerous pathogens, including MRSA
- Locks out bacteria residing deep in the skin and those surviving typical pre-op prepping
- Unique mechanism of action will not promote bacterial resistance
- Breathable properties permit normal skin transpiration
- Safe, time-tested cyanoacrylate technology

IS100

CODE	DESCRIPTION	ITEMS/BOX	BOXES/CASE
33736	HALYARD* INTEGUSEAL* Microbial Sealant, IS100, Coverage (approx): 25 x 25 cm Sterile	10	2

IS200

CODE	DESCRIPTION	ITEMS/BOX	BOXES/CASE
33737	HALYARD* INTEGUSEAL* Microbial Sealant, IS200, Coverage (approx): 50 x 25 cm Sterile	10	2

All codes in **bold** indicate a sterile product.

STERILISATION WRAP

STERILISATION WRAP

HALYARD* QUICK CHECK* STERILISATION WRAP

HALYARD* QUICK CHECK* H100 STERILISATION WRAP

- Simultaneous (Non-Sequential) Wrap
- One Application Equivalent to 2 Sheets of Wrap: Dual Colouring
- Low-Lint SMS Fabric
- Steam and EO Compatible
- Compatible with Low Temperature Gas Plasma Sterilisation

CODE	DESCRIPTION	APPLICATIONS/CASE
34156	45 x 45 cm	480
34192	50 x 50 cm	480
34178	60 x 60 cm	240
34176	76 x 76 cm	144
34194	91 x 91 cm	144
34200	101 x 101 cm	120
34161	121 x 121 cm	120
34172	137 x 137 cm	96

HALYARD* QUICK CHECK* H200 STERILISATION WRAP

- Simultaneous (Non-Sequential) Wrap
- One Application Equivalent to 2 Sheets of Wrap: Dual Colouring
- Low-Lint SMS Fabric
- Steam and EO Compatible
- Compatible with Low Temperature Gas Plasma Sterilisation

CODE	DESCRIPTION	APPLICATIONS/CASE
34167	30 x 30 cm	480
34193	45 x 45 cm	480
34174	60 x 60 cm	240
34175	76 x 76 cm	144
34185	91 x 91 cm	144
34186	101 x 101 cm	120
34149	121 x 121 cm	48
34187	137 x 137 cm	48
34168	137 x 182 cm	48

All codes in **bold** indicate a sterile product.

HALYARD* QUICK CHECK* H300 STERILISATION WRAP

- Simultaneous (Non-Sequential) Wrap
- One Application Equivalent to 2 Sheets of Wrap: Dual Colouring
- Low-Lint SMS Fabric
- Steam and EO Compatible
- Compatible with Low Temperature Gas Plasma Sterilisation

CODE	DESCRIPTION	APPLICATIONS/CASE
34171	60 x 60 cm	240
34173	76 x 76 cm	144
34160	91 x 91 cm	144
34189	101 x 101 cm	96
34159	114 x 114 cm	48
34181	121 x 121 cm	96
34182	137 x 137 cm	48
34190	137 x 182 cm	48

HALYARD* QUICK CHECK* H400 STERILISATION WRAP

- Simultaneous (Non-Sequential) Wrap
- One Application Equivalent to 2 Sheets of Wrap: Dual Colouring
- Low-Lint SMS Fabric
- Steam and EO Compatible
- Compatible with Low Temperature Gas Plasma Sterilisation

CODE	DESCRIPTION	APPLICATIONS/CASE
34183	60 x 60 cm	120
34158	91 x 91 cm	72
34184	101 x 101 cm	72
34157	114 x 114 cm	48
34145	121 x 121 cm	48
34146	137 x 137 cm	48
34191	137 x 182 cm	24

All codes in **bold** indicate a sterile product.

HALYARD* QUICK CHECK* H500 STERILISATION WRAP

- Simultaneous (Non-Sequential) Wrap
- One Application Equivalent to 2 Sheets of Wrap: Dual Colouring
- Low-Lint SMS Fabric
- Steam and EO Compatible
- Compatible with Low Temperature Gas Plasma Sterilisation

CODE	DESCRIPTION	APPLICATIONS/CASE
34180	45 x 45 cm	288
34162	60 x 60 cm	120
34165	76 x 76 cm	120
34199	91 x 91 cm	72
34198	114 x 114 cm	48
34148	121 x 121 cm	48
34143	137 x 137 cm	48
34195	137 x 182 cm	24

HALYARD ONE-STEP* STERILISATION WRAP

HALYARD ONE-STEP* H100 STERILISATION WRAP

- Simultaneous (Non-Sequential) Wrap
- One Application Equivalent to 2 Sheets of Wrap
- Low-Lint SMS Fabric
- Steam and EO Compatible
- Compatible with Low Temperature Gas Plasma Sterilisation

CODE	DESCRIPTION	APPLICATIONS/CASE
12720	50 x 50 cm	480
12724	60 x 60 cm	240
12730	76 x 76 cm	144
12736	91 x 91 cm	144
12740	101 x 101 cm	120
12745	114 x 114 cm	120
12748	121 x 121 cm	120
12754	137 x 137 cm	96

All codes in **bold** indicate a sterile product.

HALYARD ONE-STEP* H200 STERILISATION WRAP

- Simultaneous (Non-Sequential) Wrap
- One Application Equivalent to 2 Sheets of Wrap
- Low-Lint SMS Fabric
- Steam and EO Compatible
- Compatible with Low Temperature Gas Plasma Sterilisation

CODE	DESCRIPTION	APPLICATIONS/CASE
62018	45 x 45 cm	480
62024	60 x 60 cm	240
62030	76 x 76 cm	144
62036	91 x 91 cm	144
62040	101 x 101 cm	120
62048	121 x 121 cm	48
62054	137 x 137 cm	48
62072	137 x 182 cm	48

HALYARD ONE-STEP* H300 STERILISATION WRAP

- Simultaneous (Non-Sequential) Wrap
- One Application Equivalent to 2 Sheets of Wrap
- Low-Lint SMS Fabric
- Steam and EO Compatible
- Compatible with Low Temperature Gas Plasma Sterilisation

CODE	DESCRIPTION	APPLICATIONS/CASE
12824	60 x 60 cm	240
12830	76 x 76 cm	144
12836	91 x 91 cm	144
12840	101 x 101 cm	96
12845	114 x 114 cm	48
12848	121 x 121 cm	96
12854	137 x 137 cm	48
12872	137 x 182 cm	48

All codes in **bold** indicate a sterile product.

HALYARD ONE-STEP* H400 STERILISATION WRAP

- Simultaneous (Non-Sequential) Wrap
- One Application Equivalent to 2 Sheets of Wrap
- Low-Lint SMS Fabric
- Steam and EO Compatible
- Compatible with Low Temperature Gas Plasma Sterilisation

CODE	DESCRIPTION	APPLICATIONS/CASE
62224	60 x 60 cm	120
62236	91 x 91 cm	72
62240	101 x 101 cm	72
62245	114 x 114 cm	48
62248	121 x 121 cm	24
62254	137 x 137 cm	24
62272	137 x 182 cm	24

HALYARD ONE-STEP* H500 STERILISATION WRAP

- Simultaneous (Non-Sequential) Wrap
- One Application Equivalent to 2 Sheets of Wrap
- Low-Lint SMS Fabric
- Steam and EO Compatible
- Compatible with Low Temperature Gas Plasma Sterilisation

CODE	DESCRIPTION	APPLICATIONS/CASE
62124	60 x 60 cm	120
62130	76 x 76 cm	120
62136	91 x 91 cm	72
62145	114 x 114 cm	48
62148	121 x 121 cm	24
62154	137 x 137 cm	24
62172	137 x 182 cm	24

All codes in **bold** indicate a sterile product.

HALYARD* SEQUENTIAL STERILISATION WRAP

HALYARD* SEQUENTIAL STERILISATION WRAP H100

- Sequential Wrap
- Low-Lint SMS Fabric
- Steam and EO Compatible
- Compatible with Low Temperature Gas Plasma Sterilisation

CODE	DESCRIPTION	SHEETS/CASE
10712	30 x 30 cm	1000
10715	38 x 38 cm	1000
10718	45 x 45 cm	1000
10720	50 x 50 cm	1000
10724	60 x 60 cm	500
10730	76 x 76 cm	300
10736	91 x 91 cm	300
10740	101 x 101 cm	250
10745	114 x 114 cm	250
10748	121 x 121 cm	250
10754	137 x 137 cm	100
10772	137 x 182 cm	100

HALYARD* SEQUENTIAL STERILISATION WRAP H200

- Sequential Wrap
- Low-Lint SMS Fabric
- Steam and EO Compatible
- Compatible with Low Temperature Gas Plasma Sterilisation

CODE	DESCRIPTION	SHEETS/CASE
68018	45 x 45 cm	1000
68024	60 x 60 cm	500
68030	76 x 76 cm	300
68036	91 x 91 cm	300
68040	101 x 101 cm	250
68048	121 x 121 cm	100
68054	137 x 137 cm	100
68072	137 x 182 cm	100

All codes in **bold** indicate a sterile product.

HALYARD* SEQUENTIAL STERILISATION WRAP H300

- Sequential Wrap
- Low-Lint SMS Fabric
- Steam and EO Compatible
- Compatible with Low Temperature Gas Plasma Sterilisation

CODE	DESCRIPTION	SHEETS/CASE
10824	60 x 60 cm	500
10830	76 x 76 cm	300
10836	91 x 91 cm	300
10840	101 x 101 cm	250
10845	114 x 114 cm	100
10848	121 x 121 cm	100
10854	137 x 137 cm	100

HALYARD* SEQUENTIAL STERILISATION WRAP H400

- Sequential Wrap
- Low-Lint SMS Fabric
- Steam and EO Compatible
- Compatible with Low Temperature Gas Plasma Sterilisation

CODE	DESCRIPTION	SHEETS/CASE
68218	45 x 45 cm	600
68224	60 x 60 cm	250
68230	76 x 76 cm	200
68236	91 x 91 cm	150
68240	101 x 101 cm	150
68245	114 x 114 cm	100
68248	121 x 121 cm	50
68254	137 x 137 cm	50
68272	137 x 182 cm	50

All codes in **bold** indicate a sterile product.

HALYARD* SEQUENTIAL STERILISATION WRAP H500

- Sequential Wrap
- Low-Lint SMS Fabric
- Steam and EO Compatible
- Compatible with Low Temperature Gas Plasma Sterilisation

CODE	DESCRIPTION	SHEETS/CASE
68124	60 x 60 cm	250
68130	76 x 76 cm	250
68136	91 x 91 cm	150
68145	114 x 114 cm	100
68148	121 x 121 cm	50
68154	137 x 137 cm	50
68172	137 x 182 cm	50
68190	137 x 228 cm	50

All codes in **bold** indicate a sterile product.

OTHER STERILISATION PRODUCTS

OTHER STERILISATION PRODUCTS

TRAY LINERS / TOWELS AND CONTAINER FILTERS

CODE	DESCRIPTION	ITEMS/ PACKAGE	PACKAGES/ CASE	ITEMS/ CASE
10502	HALYARD* Absorbent Tray Liners / Towels, 51 x 64 cm	50	8	400
68507	HALYARD* Container Filters, 19 cm, Round	250	4	1000
68509	HALYARD* Container Filters, 23 x 23 cm, Square	250	4	1000

All codes in **bold** indicate a sterile product.

INDEX BY CODE

CODE	PAGE	CODE	PAGE	CODE	PAGE	CODE	PAGE
10502	111	13337	94	34167	103	42224	4, 7, 11, 13, 33, 35, 37, 38, 39, 64, 68, 69, 70, 82, 88
10712	108	13815	94	34168	103	42226	88
10715	108	14007	87	34171	104	42228	88
10718	108	14364	15	34172	103	42233	88
10720	108	14365	15	34173	104	42302	53, 88
10724	108	29148	80	34174	103	42309	88
10730	108	29149	80	34175	103	42312	33, 36, 59, 66, 68, 88
10736	108	29150	80	34176	103	42313	33, 36, 59, 66, 68, 88
10740	108	29155	80	34178	103	42345	29, 36, 50, 64, 68, 69, 70, 71, 88
10745	108	29219	42	34180	105	42365	50, 64, 88
10748	108	29220	42	34181	104	42366	88
10754	108	29221	47	34182	104	42367	88
10772	108	29222	43	34183	104	42409	88
10824	109	29223	43	34184	104	42428	1, 2, 3, 5, 10, 11, 12, 28, 29, 31, 32, 34, 38, 48, 49, 50, 51, 52, 56, 57, 63, 81, 84, 88
10830	109	29224	47	34185	103	42446	13, 88
10836	109	29225	78	34186	103	42447	5, 56, 88
10840	109	29226	78	34187	103	42448	52, 88
10848	109	29227	79	34189	104	42449	37, 88
10854	109	29228	79	34190	104	42451	4, 5, 7, 8, 10, 11, 13, 28, 32, 33, 35, 37, 38, 39, 64, 68, 69, 70, 82, 83, 88
11783	94	29229	78	34191	104	42480	88
11784	94	29231	78	34192	103	42481	88
12720	105	29234	73	34193	103	43623	99
12724	105	31447	80	34194	103	43939	99
12730	105	32109	94	34195	105	43942	99
12736	105	32113	94	34198	105	59705	21
12740	105	33412	46	34199	105	59706	32
12745	105	33415	46	34200	103	59707	28
12748	105	33736	102	40989	100	59709	10
12754	105	33737	102	40998	100	59710	62
12824	106	33916	94	41000	100	62018	106
12830	106	33917	94	41004	100	62024	106
12836	106	34143	105	41876	99	62030	106
12840	106	34145	104	41879	99	62036	106
12845	106	34146	104	41882	99	62040	106
12848	106	34148	105	41928	99	62048	106
12854	106	34149	103	41929	99	62054	106
12872	106	34156	103	41930	99		
13227	28, 29, 44	34157	104	41931	99		
13228	42	34158	104	41933	99		
13231	16	34159	104	41934	99		
13232	32, 34	34160	104	42217	52, 88		
13233	33, 42	34161	103	42222	1, 2, 3, 5, 10, 11, 12, 28, 29, 31, 32, 34, 38, 48, 49, 50, 51, 52, 56, 57, 63, 81, 84, 88		
13294	39	34162	105				
13296	75	34165	105				

INDEX BY CODE

CODE	PAGE	CODE	PAGE	CODE	PAGE	CODE	PAGE
62072	106	70990	11, 13	76358	87	77766	13
62124	107	71301	98	76361	7, 8, 16, 83	77769	8
62130	107	71311	98	76363	3, 7, 8, 17, 35, 83	77772	5
62136	107	71321	98	76364	8, 26	77776	77
62145	107	71331	98	76365	3, 5, 20	77779	52
62148	107	71626	98	76366	5, 19	77780	10
62154	107	71627	98	76367	5, 21	77781	28
62172	107	72438	100	76368	17, 35, 38	77783	29
62224	107	72978	96	76372	88	77784	34
62236	107	72988	96	76374	11	77785	34
62240	107	73038	100	76375	45	77790	32
62245	107	73041	100	76377	12, 13, 27	77792	12
62248	107	74911	97	76378	68, 73	77794	7, 83
62254	107	74921	97	76380	12, 25	77797	35
62272	107	74931	97	76382	77, 86	77798	32
68018	108	76209	64	76384	52, 55	77823	63
68024	108	76214	59, 91	76386	77	77853	8, 83
68030	108	76216	11	76393	62	77865	50
68036	108	76218	13	76394	48, 49, 50, 86	77873	61
68040	108	76226	29	76396	67	77880	5
68048	108	76234	64	76492	10, 24	77881	31
68054	108	76243	13	76681	77	77883	87
68072	108	76246	33	76885	57, 58	77885	57
68124	110	76248	69	76888	51, 54	77888	51
68130	110	76249	36	77329	97	77890	51
68136	110	76251	66	77336	97	77892	70
68145	110	76263	12	77337	97	78660	41
68148	110	76270	92	77353	49, 55	78669	6, 9, 11, 28, 29, 30, 31, 57, 88
68154	110	76271	36	77382	77, 86	78911	95
68172	110	76291	10, 24	77450	28, 29, 44	78913	95
68190	110	76293	24	77452	87	78921	95
68218	109	76300	59, 91	77454	48	78923	95
68224	109	76321	61	77455	48	78961	3, 5, 38, 68
68230	109	76323	21, 64	77466	67	78965	24
68236	109	76328	69	77491	49	79010	4, 20, 82
68240	109	76329	69	77492	50	79011	4, 19, 82
68245	109	76331	91	77707	62	79012	4, 19, 82
68248	109	76334	93	77717	11, 84	79053	1, 2, 3, 4, 5, 8, 11, 28, 29, 32, 33, 34, 35, 36, 49, 68, 70, 81, 82, 83, 84, 92
68254	109	76340	68, 93	77723	45	79063	76
68272	109	76346	62	77744	59	79070	43
68507	111	76353	49, 55	77748	68		
68509	111	76354	74	77749	68		
70391	96	76356	10, 68, 74	77760	59		
70392	96	76357	68, 73	77762	69		

INDEX BY CODE

CODE	PAGE	CODE	PAGE	CODE	PAGE	CODE	PAGE
79075	67	79370	71	79742	57, 58	88901	6
79102	22, 31, 34, 38, 52, 59, 70	79375	17	79744	62	88902	9
79109	69, 77	79408	50, 52, 53, 56, 91	79745	11, 16	88904	9
79111	22	79411	50, 89	79749	76	88907	31
79122	10, 22, 29, 33	79415	89	79782	22	88908	31
79132	23	79419	96	79783	24, 57, 84	88909	30
79141	32	79430	63, 64, 65	79784	16	88910	29
79206	14, 85	79434	96	79787	6, 18	88911	53
79207	14, 85	79453	10, 72	79790	6, 9, 21	89010	65
79208	14, 85	79466	72	79861	34, 90	89021	70, 91
79209	14	79492	44	79881	35, 36, 90	89048	69, 77
79214	1, 18, 81	79528	48, 50, 54	79945	5, 59, 69, 70, 92	89053	1, 2, 3, 4, 5, 8, 11, 28, 29, 32, 33, 34, 35, 36, 49, 68, 70, 81, 82, 83, 84, 92
79215	1, 20, 81	79529	48, 49, 55	79970	29, 95	89062	67
79216	2, 19	79532	9, 17	79973	11, 13, 59, 95	89070	43
79217	2, 19	79540	56	79980	95	89101	22, 31, 34, 38, 52, 59, 70
79218	2, 20	79543	65	79983	13, 29, 95	89121	10, 22, 29, 33
79236	26, 86	79545	56, 58	86357	68, 73	89206	14, 85
79265	46	79551	53	88100	4, 82	89207	14, 85
79267	35, 46	79582	75	88103	4, 82	89208	14, 85
79273	28, 43	79583	78	88113	7	89209	14
79275	38, 40	79601	29, 87	88183	37	89236	26, 86
79278	33	79602	87	88203	33	89251	26
79279	31, 32, 41	79603	1, 2, 3, 4, 5, 7, 8, 10, 11, 12, 13, 32, 33, 34, 35, 36, 37, 38, 39, 49, 50, 51, 63, 68, 70, 81, 82, 83, 87	88213	35	89265	46
79282	25	79692	15	88223	63	89267	35, 46
79284	94	79693	15	88233	39	89271	28, 43
79285	94	79694	22, 28, 29, 30	88243	38	89275	38, 40
79293	13, 23, 70, 71	79696	22	88253	37	89276	42
79294	94	79697	90	88354	49	89278	33, 42
79295	94	79699	23, 53	88373	38	89279	31, 32, 41
79304	59, 60	79704	74	88511	52	89282	25
79305	60	79705	75	88521	52	89291	41
79313	23, 68	79706	76	88551	53	89293	23, 70, 71
79330	33, 35, 39, 40	79720	1, 2, 3, 4, 5, 7, 8, 10, 11, 13, 28, 32, 36, 38, 39, 48, 49, 50, 51, 52, 53, 56, 57, 59, 68, 69, 70, 71, 81, 82, 83, 84, 91	88611	56	89301	16
79333	37, 38, 41	79725	70, 91	88621	56	89304	59, 60
79343	24, 71	79731	25, 52, 53, 66, 70	88672	6, 9, 29, 30, 31, 87	89305	60
79345	37, 45	79741	53, 84, 88	88673	6, 9, 11, 28, 29, 30, 31, 57, 88	89311	17, 36
79346	37, 45			88760	3	89313	23, 68
79347	36			88762	1, 81	89331	33, 35, 39, 40
79348	36, 39, 40			88763	1, 81	89343	24, 71
79351	63, 64, 65			88764	2	89345	37, 45
79356	61			88765	2		
79360	10, 17, 36, 70			88767	3		
79363	17, 36			88900	6		

INDEX BY CODE

CODE	PAGE	CODE	PAGE	CODE	PAGE
89346	37, 45	89701	1, 2, 3, 4, 5, 7, 8, 10, 11, 13, 28, 32, 36, 38, 39, 48, 49, 50, 51, 52, 53, 56, 57, 59, 68, 69, 70, 71, 81, 82, 83, 84, 91	K103600	87
89347	36	89704	74	K704082	101
89348	36, 39, 40	89705	75	K790790	16
89352	63, 64, 65	89706	76	K791411	18
89353	21, 64	89791	92	K791412	18
89363	13, 23	89811	33, 90	K792130	20
89381	10, 17, 36, 70	89821	35, 37, 91	K792251	27
89408	50, 52, 53, 56, 91	89861	34, 90	K793040	60
89411	52, 89	89881	35, 36, 90	K793042	60
89413	89	89945	5, 59, 69, 70, 92	K793043	61
89415	89	90002	95	K793045	61
89452	72	90012	29, 95	K793132	101
89471	76	90013	11, 13, 59, 95	K793630	17
89492	44	90016	96	K793703	18
89528	48, 50, 54	90019	96	K794513	74
89529	48, 49, 55	90042	95	K794530	73
89543	65	90043	13, 29, 95	K794532	21
89583	78	90046	96	K796011	87
89584	53, 89	90049	96	K796012	87
89601	29, 87	90112	95	K796111	87
89603	1, 2, 3, 4, 5, 7, 8, 10, 11, 12, 13, 32, 33, 34, 35, 36, 37, 38, 39, 49, 50, 51, 63, 68, 70, 81, 82, 83, 87	90113	95	K797065	75
89632	53, 84, 88	90142	95	K797067	79
89638	15	90143	95	K797212	54
89670	15	90363	97	K797310	25
89671	15	90373	97	K887603	6
89672	22, 28, 29, 30	95113	98	K897065	75
89673	30, 44	95114	98		
89674	22	95123	98	QW030201	93
89675	90	95124	98	QW034601	93
89676	24	95131	98	QW102301	93
89677	23, 53	95211	97		
89678	22	95214	69		
89679	24, 57, 84	95221	97		
89680	16	95224	69, 97		
89681	57	99294	94		
89682	84	99295	94		
89684	28				
89685	30	K100301	92		
89686	11	K100302	90		
89687	30	K103502	87		

Halyard Health is a medical technology company focused on advancing health and healthcare by delivering clinically-superior products and solutions in infection prevention, surgical solutions, respiratory health, digestive health, IV therapy and pain management. Halyard sells its recognized brands and products in more than 100 countries and holds leading market positions in multiple categories across the portfolio.



Clinically Superior Products

Our products and solutions are high performance and high quality, and can be trusted to deliver optimal patient outcome.

Remarkable Service

We truly care about our customers and their patients, going the extra mile to ensure they have the support they need, when they need it.

Deep Expertise

We are experts in prevention and healing and recovery. We leverage that expertise to guide and problem-solve with our customers.

Purposeful Innovation

We create new-to-the-world innovations that meet and anticipate the dynamic needs of our customers and patients.

**For more information, please contact your
Halyard Customer Care Team:**

Tel: 0800 917 65 85 (from UK & IE only)

Fax: 0800 169 02 35 (from UK & IE only)

customerservice.uk.ie@hyh.com

From other countries:

Tel: +32 2 700 68 51

Fax: +32 2 711 26 91

customerservice.export@hyh.com

