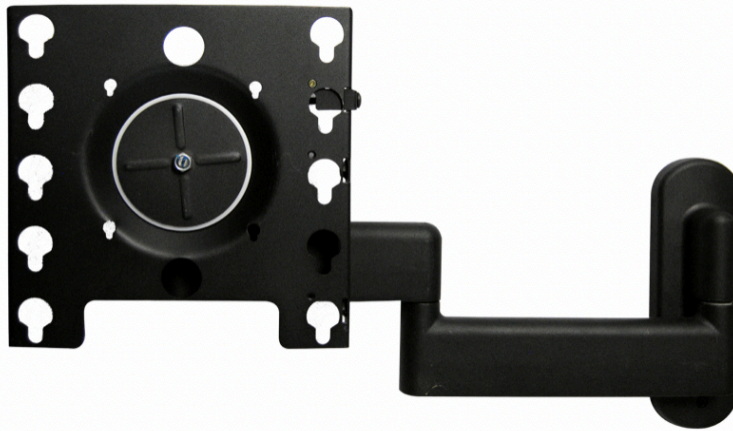


HCI Full Swing Wall Mount Specifications

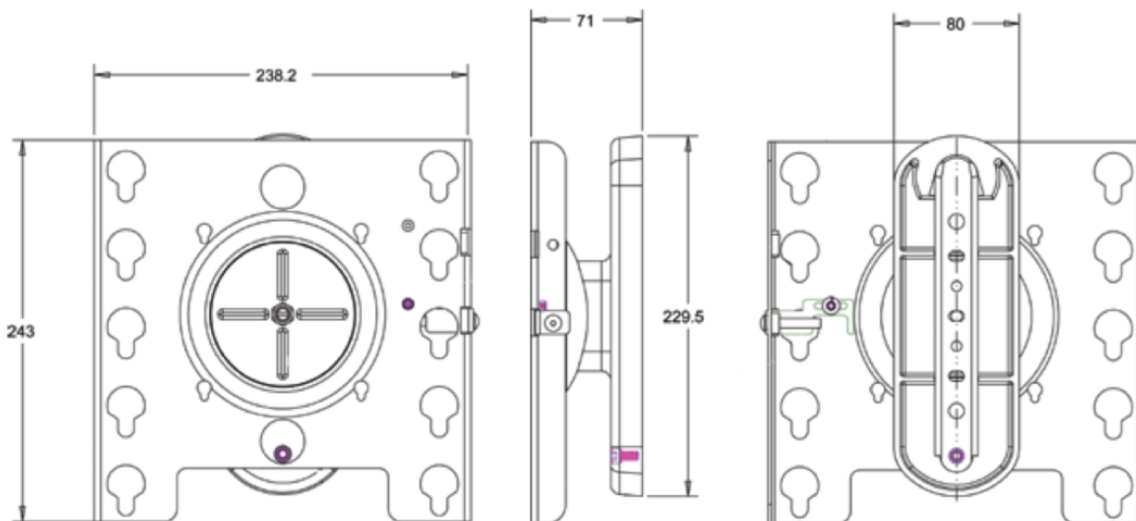
Part Number WM-FSD



- ✓ Easy two-bolt installation
- ✓ Cables can be contained inside dual arm
- ✓ Security screw included to lock TV in place
- ✓ Place and side mounting
- ✓ Allows left/right and up/down tilt
- ✓ Dual arm can extend mount 20" from wall
- ✓ 4' Power cord included

- ▶ Model Number: WM-FSD
- ▶ Color/Material: Black / Steel
- ▶ Dimensions: 9.5" W x 9.4" H x 2.5" D
- ▶ Weight: 9.5 lbs.
- ▶ Weight Capacity: 85 lbs.
- ▶ Range of Motion: 15.6° up/down; 6° left/right; 20" out

- ▶ Mounting Requirements: Single wood or steel supported stud
- ▶ Installation Hardware: 2 lag bolts; 2 hex bolts; 2 washers; 2 toggle bolt anchors (Included)
- ▶ VESA Pattern: 200mm x 100mm
100mm x 100mm
200mm x 200mm
- ▶ Compatibility: Works with any HCI RoomMate television



Transform the way you deliver care.
©2002-2022 HCI. All Rights Reserved.

Premier Supplier PP-FA-841

www.hci-tv.com

