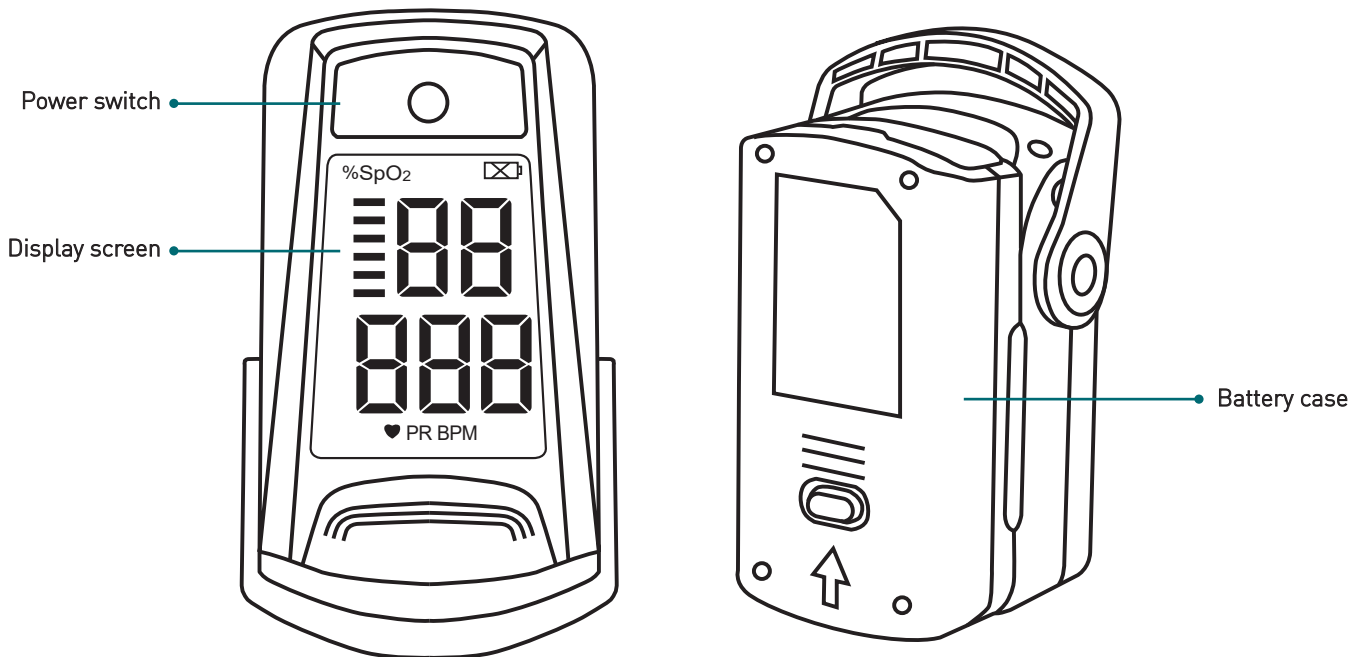
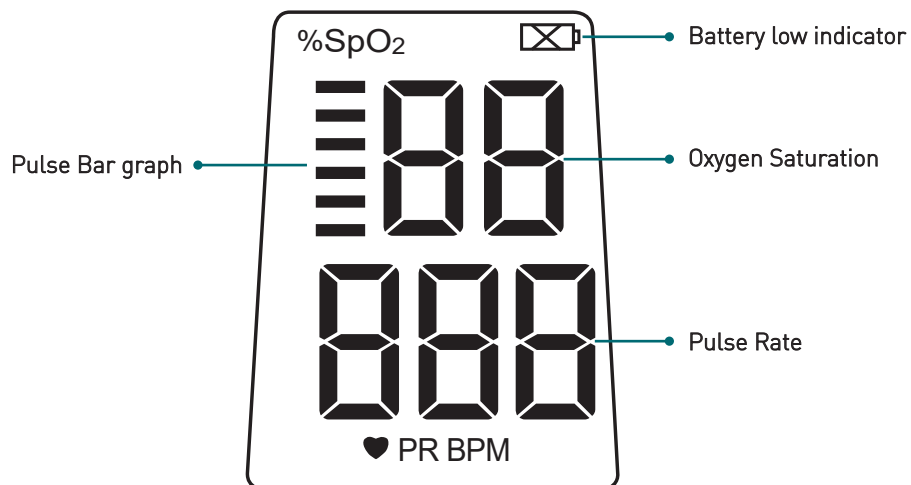


## APPEARANCE



## DISPLAY SCREEN

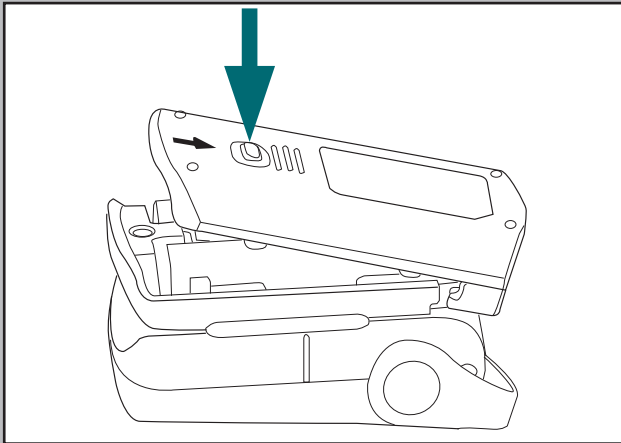


## ORDERING INFORMATION

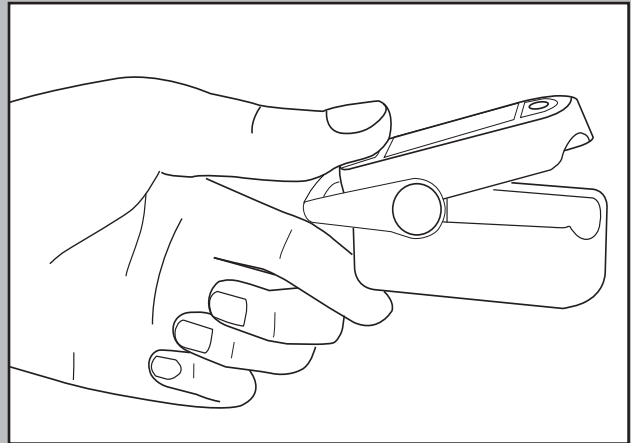
1905

ri-fox N Pulse Oximeter

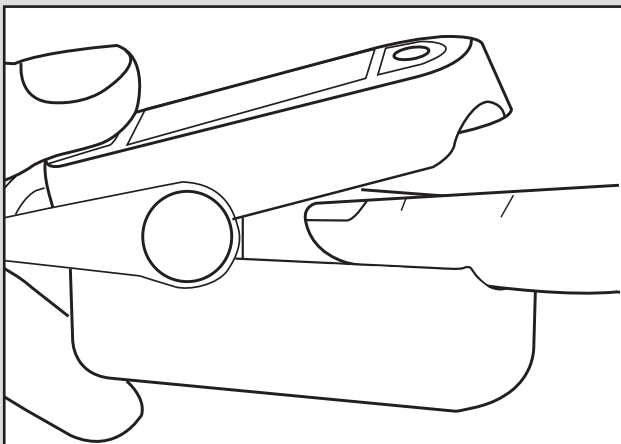
USING THE DEVICE



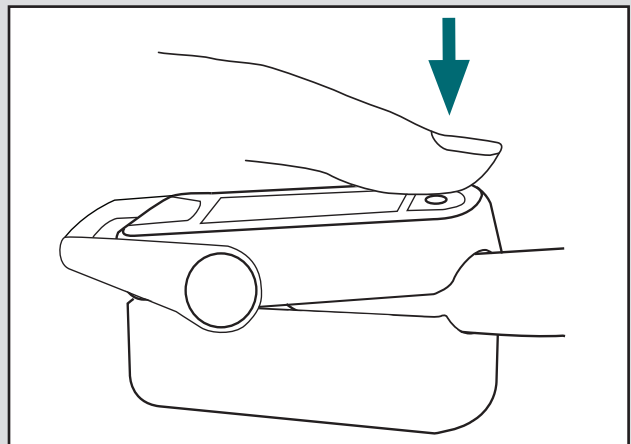
**STEP 1.** Install two AAA batteries into the battery cassette, and press the button down along the arrow and push the battery cover. Then close its cover.



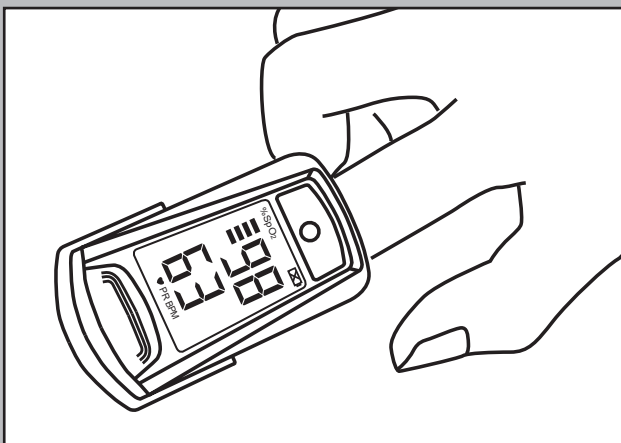
**STEP 2.** Open the clamp.



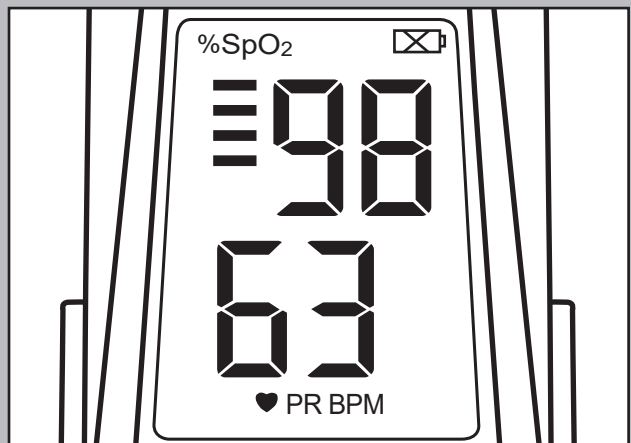
**STEP 3.** Insert one finger, ideally the index finger, into the opening of the pulse oximeter, please ensure that the patient's nail is facing upwards.



**STEP 4.** Press the power switch once on the front panel.



**STEP 5.** The patient's finger should remain still while the pulse oximeter is working.



**STEP 6.** After 2+ seconds, read the measurements from the display screen.

Please visit [riester.de](http://riester.de) for more information



Refer to instructions for use for full functional usage



**Rudolf Riester GmbH** P.O. Box 35 | Bruckstraße 31 | 72417 Jungingen | Germany  
Tel.: (+49) 7477-9270-0 | Fax.: (+49) 7477-9270-70 | info@riester.de | www.riester.de

